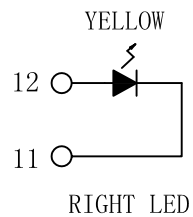
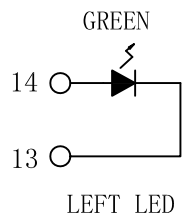
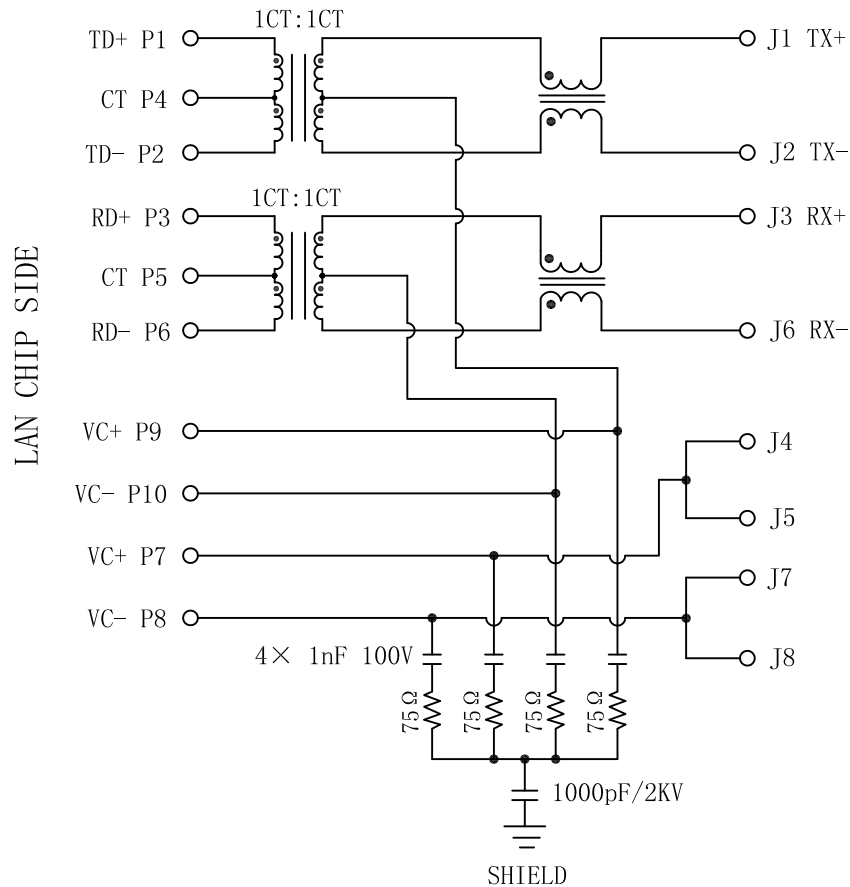


Schematic:



REV.	ECN NO.	DESCRIPTION	DATE	APPD
A	REL		2010/12/28	

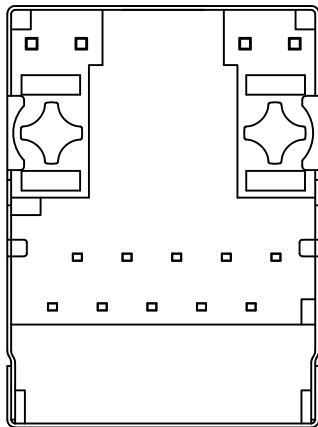
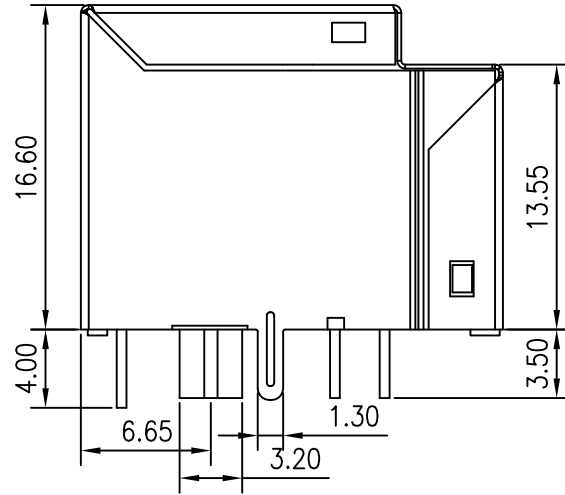
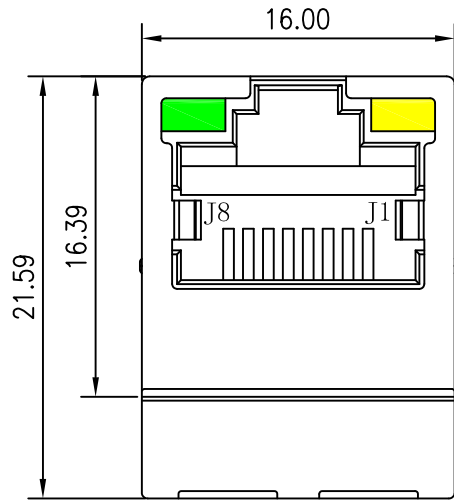
Electrical Specifications @25°C

- Turns Ratio(100KHz, 0.1V):
PINS: (P1-P2) : (J1-J2)=1:1 ±3%
PINS: (P3-P6) : (J3-J6)=1:1 ±3%
- OCL(100KHz, 100mV, 8mA, DC Bias):
PINS: (P1, P2), (P3, P6)=350uH Min
- Insertion Loss:
0.3-100MHz:-1.0dB Max
- Return Loss(dB Min):
1-30MHz:-20 30-60MHz:-15
60-80MHz:-10
- Crosstalk:
1-100MHz:-30 dB Min
- Common to Common Mode Rejection:
1-100MHz:-30dB Min
- Hi-PoT: 1500Vrms/0.5mA/2sec Min
- Operating Temperature Range: -40°C~+85°C.

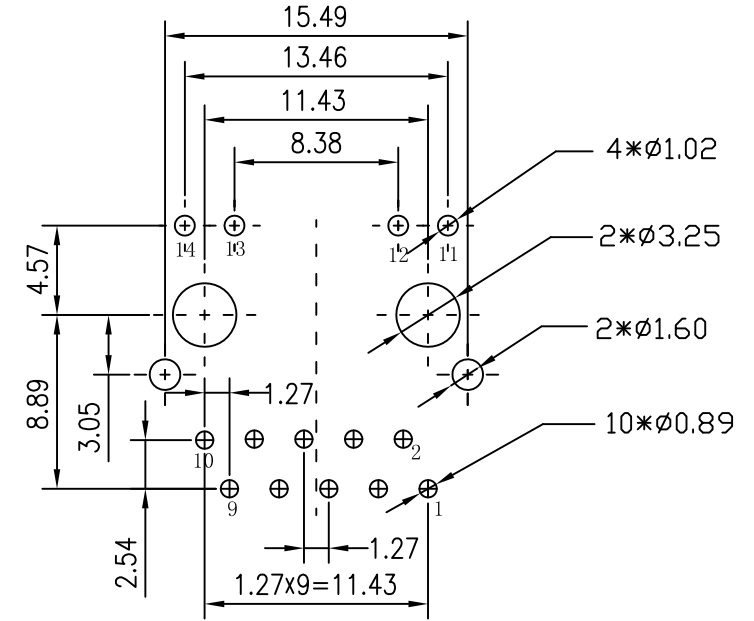
Emitting Color	λ p(nm)	VF@IF=20mA	IR @VR=5V	Luminous Intensity (MCD@IF=20mA)
GREEN	565	1.8~2.6V	10 μ A max	9-25 MCD
YELLOW	585	1.8~2.6V	10 μ A max	9-30 MCD

X:X	±0.10	APPD:	LINK-PP INT'L TECHNOLOGY CO., LIMITED	
X:XX	±0.020	CHKD:	TITLE: Vertical RJ45 Connector With 10/100 Magnetic For PoE Application	
X:XXX	±0.015	DR: TOM	PART NO.: LPJD5153BHNL	
ANGLES	±0.10°	UNIT: mm		
	SCALE: 2/1	SHEET: 1/2	REV: A	DWG NO.: LP10122810

Mechanical :



REV.	ECN NO.	DESCRIPTION	DATE	APPD
A	REL		2010/12/28	



SUGGESTED PCB LAYOUT (TOP VIEW)

NOTES:

1. Designed to support application, such as SOHO (ADSL modems), LAN-on Motherboard (LOM), hub and Switches.
2. Meets IEEE 802.3af specification
3. PoE rating: 15W, 350mA, 48V
4. Connector Materials:
 Housing Material: Thermoplastic PBT+30%G. F UL94V-0
 Contact Material: Phosphor Bronze C5210R-EH Thickness=0.35mm
 Pins: Brass C2680R-H Thickness=0.35mm
 Shield: Copper alloy Brass H65Y Thickness=0.2mm
 Contact plating: Gold 6 micro-inches Min. In contact area.
5. Wave solder tip temperature: 265°C Max, 5 Sec Max

X:X	±0.10	APPD:	LINK-PP INT'L TECHNOLOGY CO., LIMITED
X:XX	±0.020	CHKD:	
X:XXX	±0.015	DR: TOM	TITLE: Vertical RJ45 Connector With 10/100 Magnetic For PoE Application
ANGLES	±0.10°	UNIT: mm	PART NO.: LPJD5153BHNL
	SCALE: 2/1	SHEET: 2/2	REV: A DWG NO.: LP10122810