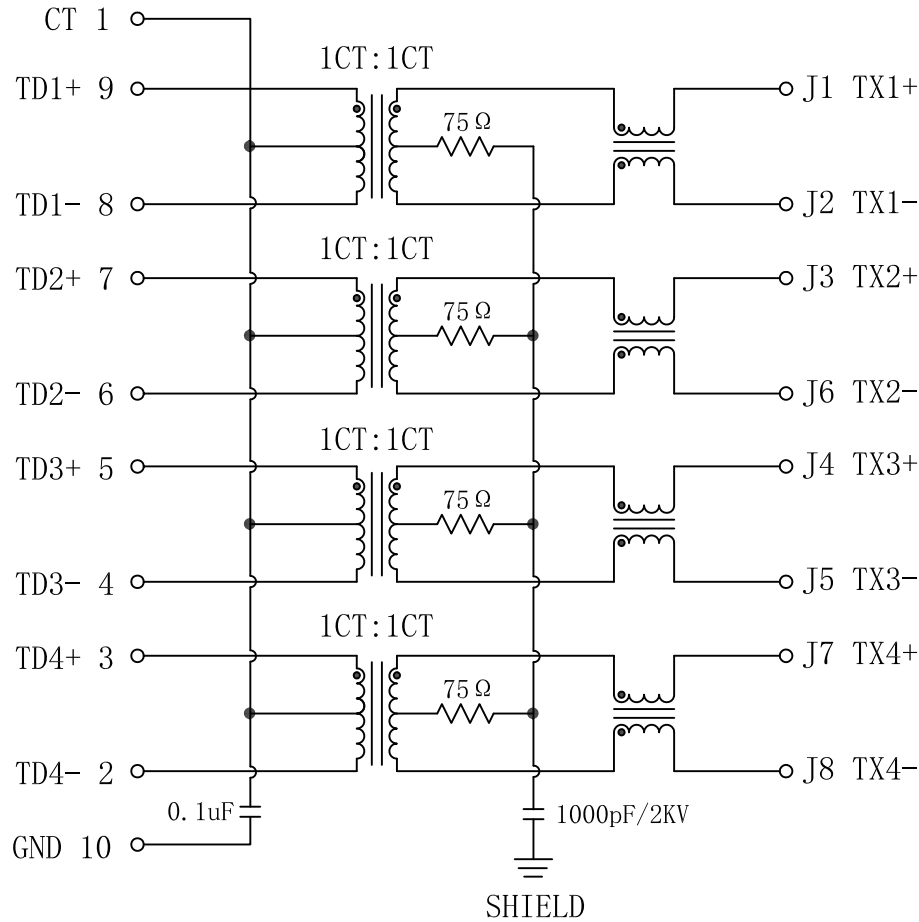


# Schematic:

REV.	ECN NO.	DESCRIPTION	DATE	APPD
A	REL		05/05/2009	

## PIN

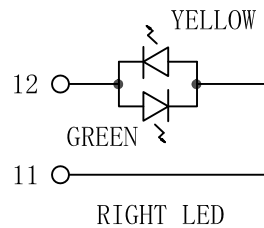
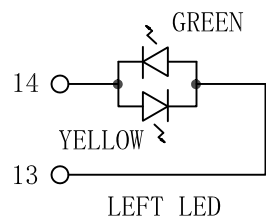
## RJ45



### Electronics Specifications @25°C

1. TURNS RATIO ( $\pm 3\%$ ):  
Pri : Sec = 1CT : 1CT
2. OCL (@100KHz, 0.1V, 8mA): 350uH MIN
3. INSERTION LOSS:  
-1.1dB MAX @ 1MHz TO 100MHz
4. RETURN LOSS (100 OHMS  $\pm 15\%$ ):  
-18dB MIN @ 1MHz TO 40MHz  
-14dB MIN @ 60MHz  
-12dB MIN @ 80MHz  
-10dB MIN @ 100MHz
5. CROSS TALK:  
-40dB MIN @ 1MHz TO 30MHz  
-30dB MIN @ 30MHz TO 60MHz
6. CM TO CM REJ:  
-20dB MIN @ 1MHz TO 100MHz
7. HIPOT (Isolation Voltage): 1500Vrms
8. OPERATING TEMPERATURE RANGE:  $-40^{\circ}\text{C} \sim +85^{\circ}\text{C}$ .

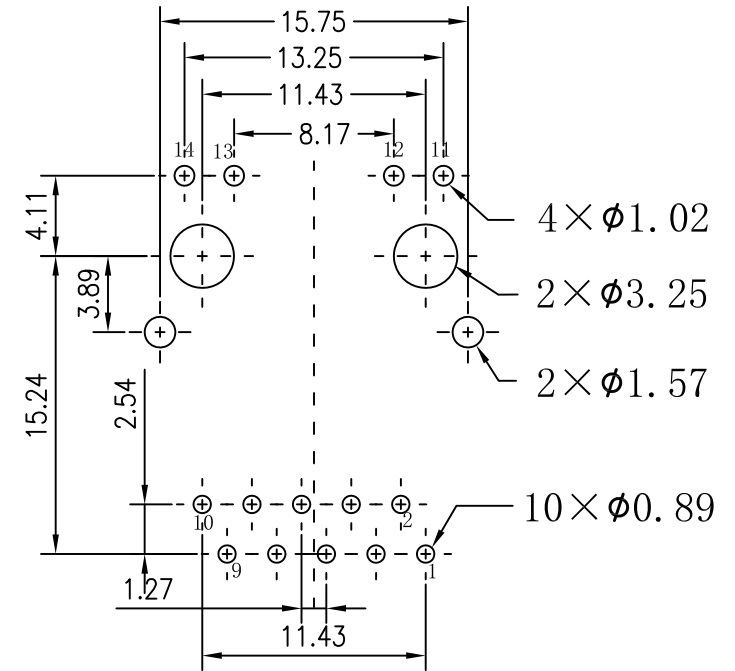
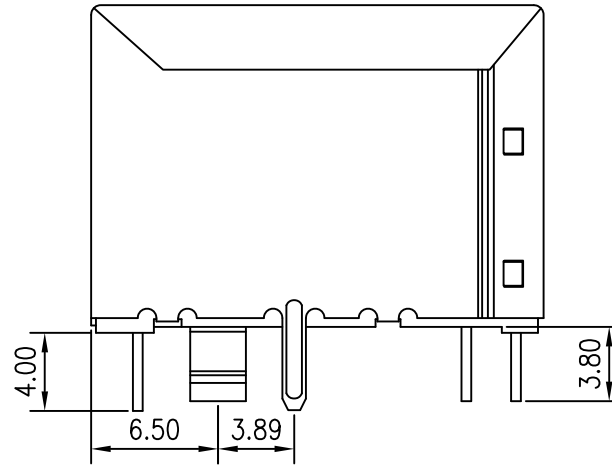
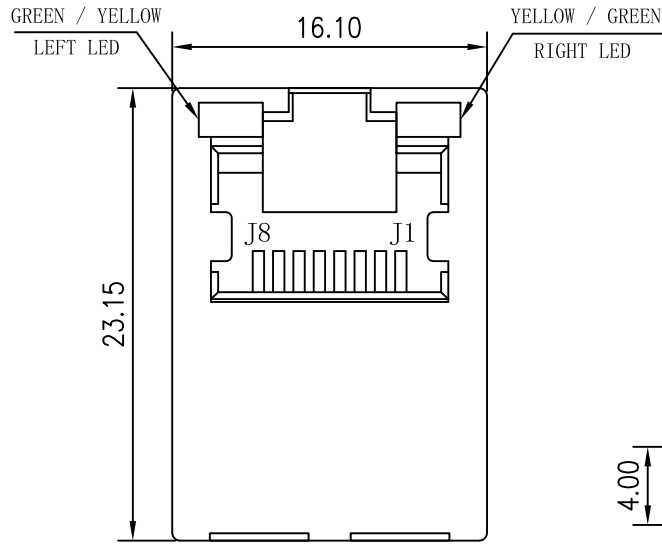
Emitting Color	$\lambda$ p(nm)	VF@IF=20mA	IR @VR=5V
GREEN	565	1.8~2.4V	10 $\mu$ A max
YELLOW	585	1.8~2.4V	10 $\mu$ A max



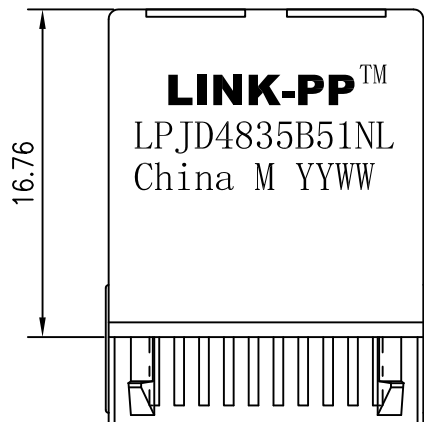
X:X	$\pm 0.25$	APPD:	LINK-PP INT'L TECHNOLOGY CO., LIMITED
X:XX	$\pm 0.20$	CHKD:	
X:XXX	$\pm 0.05$	DR: TOM	TITLE: Vertical RJ45 Connector With 1000 Magnetic
ANGLES	$\pm 1^{\circ}$	UNIT: mm	PART NO.: LPJD4835B51NL
	SCALE: 2/1	SHEET: 1/2	REV: A
			DWG NO.: LP09050526

# Mechanical :

REV.	ECN NO.	DESCRIPTION	DATE	APPD
A	REL		05/05/2009	



SUGGESTED PCB LAYOUT (TOP VIEW)



## NOTES:

1. Designed to support application, such as SOHO (ADSL modems), LAN-on-Motherboard (LOM), hub and Switches.
2. Meets IEEE 802.3 specification
3. Connector Materials:  
Housing: Thermoplastic UL94V-0  
Contact/Shield: Copper alloy  
Shield plating: Nickel  
Contact plating: Gold 6 micro-inches min. In contact area.
4. Wave solder tip temperature: 265°C Max, 5 Sec.
5. UL Certification: File Number E484635.



X:X	±0.25	APPD:	LINK-PP INT'L TECHNOLOGY CO., LIMITED	
X:XX	±0.20	CHKD:	TITLE: Vertical RJ45 Connector With 1000 Magnetic	
X:XXX	±0.05	DR: TOM	PART NO.: LPJD4835B51NL	
ANGLES	±1°	UNIT: mm	DWG NO.: LP09050526	
	SCALE: 2/1	SHEET: 2/2	REV: A	