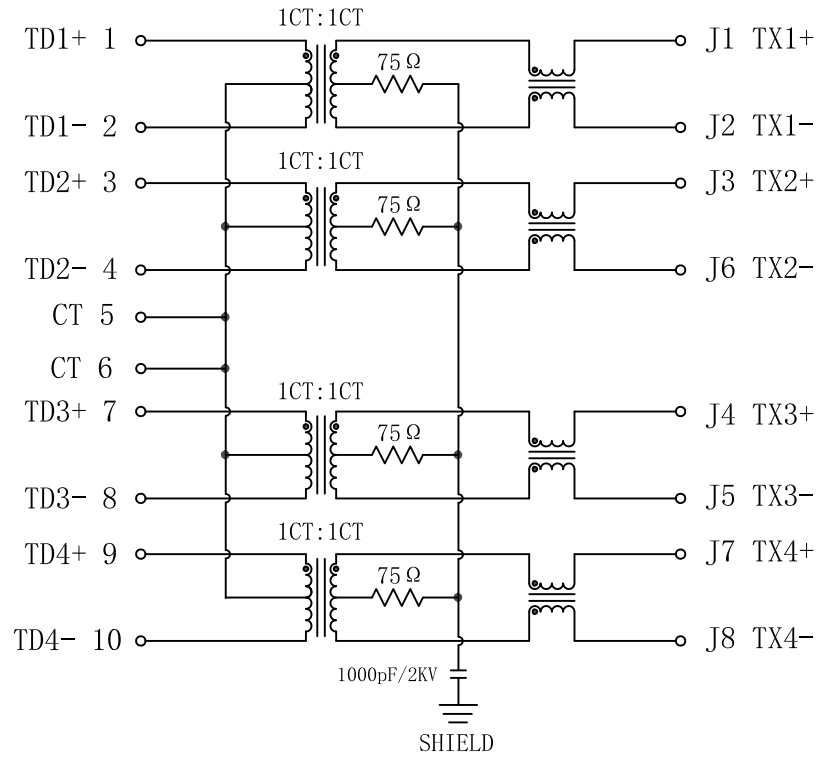


# Schematic:

REV.	ECN NO.	DESCRIPTION	DATE	APPD
A	REL		2017-06-22	

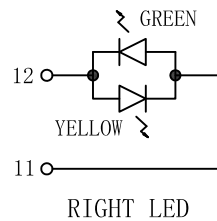
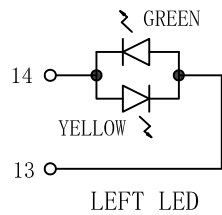
PC BOARD CONNECTIONS



RJ45 CONNECTOR

## ELECTRICAL SPECIFICATIONS @25°C

- Turn Ratio ( $\pm 3\%$ ):  
Pri:Sec = 1CT:1CT
- Inductance OCL: 350uH MIN  
@100KHz, 0.1V, 8mA DC Bias
- Insertion Loss:  
-1.2dB MAX @0.3-100MHz
- Return Loss ( $100\Omega \pm 15\%$ ):  
-16dB MIN @1-30MHz  
-13.5dB MIN @40MHz  
-11.5dB MIN @50MHz  
-10dB MIN @60-80MHz
- Cross talk:  
-40dB MIN @30MHz  
-36dB MIN @60MHz  
-30dB MIN @100MHz
- DCMR:  
-35dB MIN @30MHz  
-32dB MIN @60MHz  
-30dB MIN @100MHz
- Hipot Test: 1500Vrms MIN.
- Operating Temperature Range: -40°C TO +85°C.



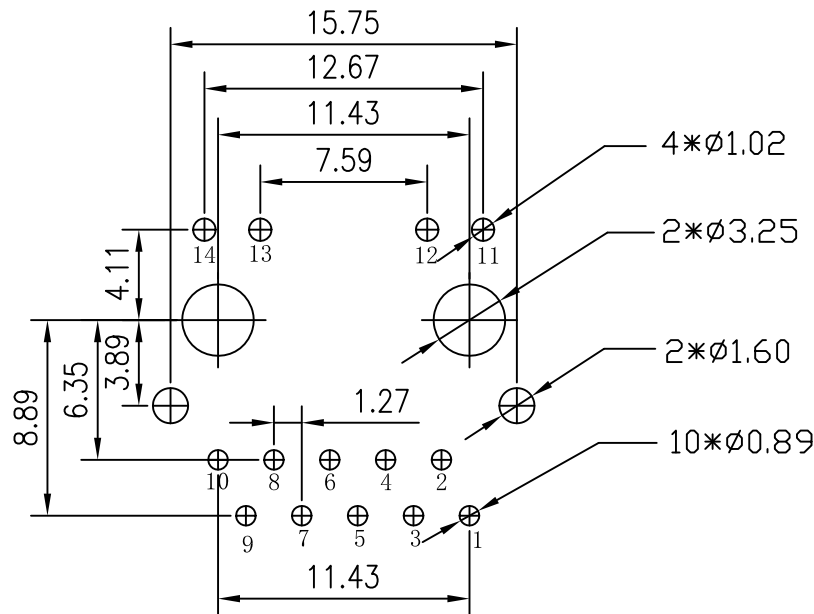
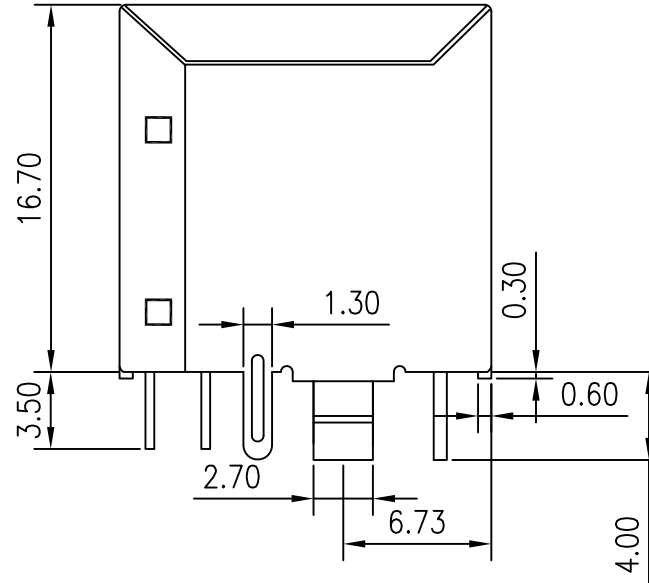
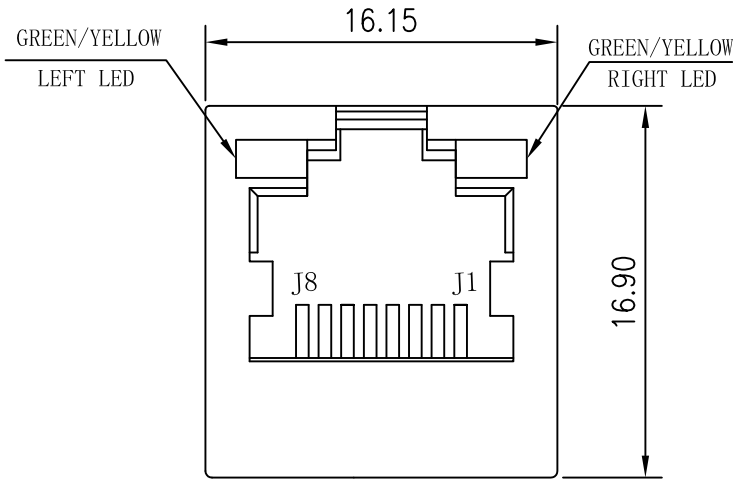
Emitting Color	$\lambda$ p(nm)	V <sub>F</sub> @I <sub>F</sub> =20mA	I <sub>R</sub> @V <sub>R</sub> =5V
GREEN	565	1.8~2.4V	10 $\mu$ A max
YELLOW	585	1.8~2.4V	10 $\mu$ A max



X:X	$\pm 0.25$	APPD:	LINK-PP INT'L TECHNOLOGY CO., LIMITED	
X:XX	$\pm 0.20$	CHKD:	TITLE: Vertical RJ45 Connector With 1000 Magnetic	
X:XXX	$\pm 0.05$	DR: TOM	PART NO.: LPJD4601B4NL	
ANGLES	$\pm 1^\circ$	UNIT: mm		
	SCALE: 3/1	SHEET: 1/2	REV: A	DWG NO.: LP17062212

# Mechanical:

REV.	ECN NO.	DESCRIPTION	DATE	APPD
A	REL		2017-06-22	



SUGGESTED PCB LAYOUT (TOP VIEW)

## NOTES:

1. Meets IEEE 802.3 specification
2. Connector Materials:  
Housing: Thermoplastic UL94V-0  
Contact/Shield: Copper alloy  
Shield plating: Nickel  
Contact plating: Gold 6 micro-inches min. In contact area
3. Wave solder tip temperature: 265°C Max, 5 Sec Max.
4. UL Certification: File Number E484635.



X:X	$\pm 0.25$	APPD:	LINK-PP INT'L TECHNOLOGY CO., LIMITED	
X:XX	$\pm 0.20$	CHKD:	TITLE: Vertical RJ45 Connector With 1000 Magnetic	
X:XXX	$\pm 0.05$	DR: TOM	PART NO.: LPJD4601B4NL	
ANGLES	$\pm 1^\circ$	UNIT: mm		
	SCALE: 3/1	SHEET: 2/2	REV: A	DWG NO.: LP17062212