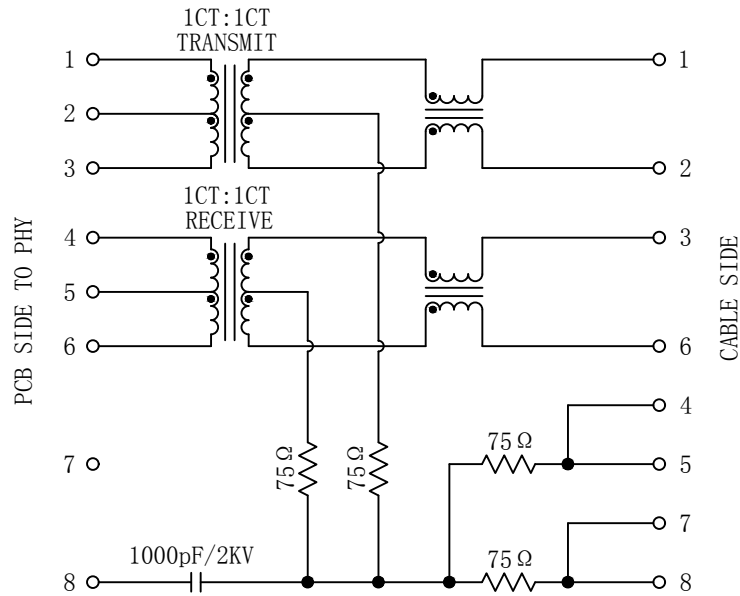


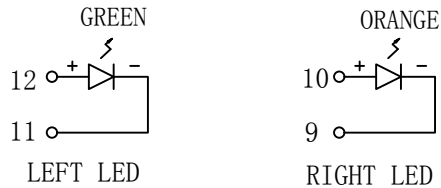
Schematic:

REV.	ECN NO.	DESCRIPTION	DATE	APPD
A	REL		2022-04-16	



ELECTRICAL SPECIFICATIONS @25°C

1. Turn Ratio : 1CT:1CT +/- 5%
2. OCL:350uH Min @100KHz , 0.1V 8mA DC BIAS
3. Insertion Loss (dB Max):
1-100MHz: -1.2
4. Return Loss (dB Min):
1-30MHz: -16 30-60MHz: -12
60-80MHz: -10
5. Cross Talk (dB Min):
1-100MHz: -30
6. Common Mode Attenuation (dB Min):
1-100MHz: -30
7. Isolation Hi-Pot: 1500V AC Min
8. Operating Temperature Range: 0°C ~ 70°C.



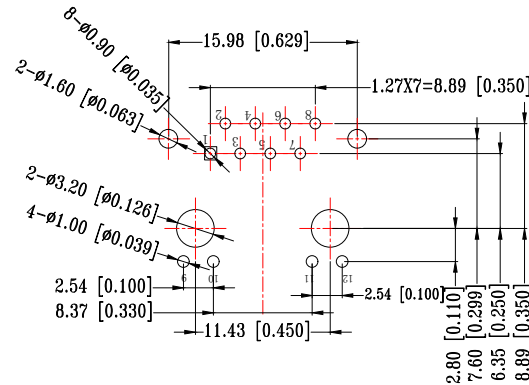
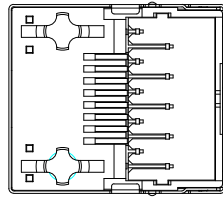
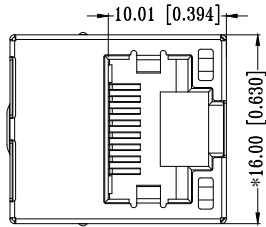
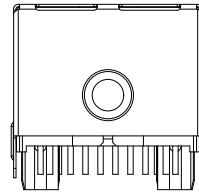
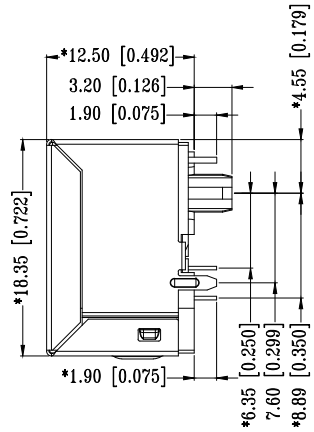
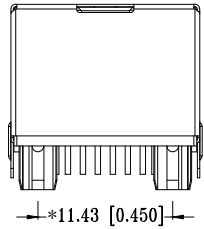
Emitting Color	λ_p (nm)	V _F @I _F =20mA	I _R @V _R =5V
GREEN	565	1.8~2.6V	10 μ A max
ORANGE	605	1.8~2.6V	10 μ A max



X:X ±0.30	APPD: TOM	LINK-PP INT'L TECHNOLOGY CO., LIMITED
X:XX ±0.25	CHKD: JAMES	
X:XXX ±0.05	DR: LEO	TITLE: Vertical RJ45 Connector With 10/100 Magnetic
ANGLES ±1°	UNIT: mm[inch]	PART NO.: LPJD3012B36NL
	SCALE: 2/1	SHEET: 1/2
	REV: A	DWG NO.: LP22041601

Mechanical:

REV.	ECN NO.	DESCRIPTION	DATE	APPD
A	REL		2022-04-16	

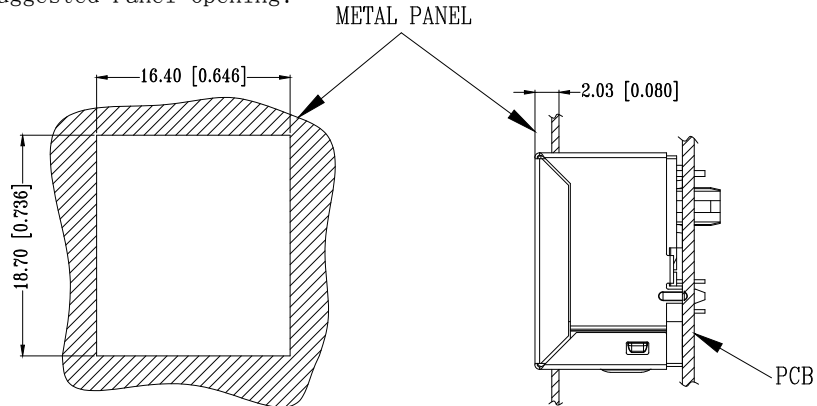


NOTES:

- CONNECTOR MATERIAL:
HOUSING:PA66 BLACK UL94 V-0
INSERT:PA66 BLACK UL94 V-0
SHIELD:Brass
SHIELD PLATING:NICKEL
CONTACT:COPPER ALLOY
CONTACT PLATING:SELECTIVE GOLD, 6 MICRO-INCHS MIN IN CONTACT AREA
- PIN NOT ELECTRICALLY CONNECTED MAYBE OMITTED SEE ELECTRICAL DRAWING FOR OMITTED PINS
- RJ45 CAVITIES CONFORM TO FCC RULES AND REGULATION PART 68.
- THE PART IS RECOMMENDED FOR WAVE SOLDERING PROCESS PEAK SOLDERING TEMPERATURE IS 260° C MAX, 10 SECS MAX
- OPERATING TEMPERATURE T=0° C TO +70° C.
- STORAGE TEMPERATURE T=-40° C TO +85° C.
- ALL CRITICAL DIMENSIONS WITH "*"
- UL Certification: File Number E484635.

Label and Recommended PWB Layout and Suggested Panel Opening:
Suggested Panel Opening:

SUGGESTED PCB LAYOUT



X:X ±0.30	APPD: TOM	LINK-PP INT'L TECHNOLOGY CO., LIMITED
X:XX ±0.25	CHKD: JAMES	
X:XXX ±0.05	DR: LEO	TITLE: Vertical RJ45 Connector With 10/100 Magnetic
ANGLES ±1°	UNIT: mm[inch]	PART NO.: LPJD3012B36NL
	SCALE: 2/1	SHEET: 2/2
	REV: A	DWG NO.: LP22041601