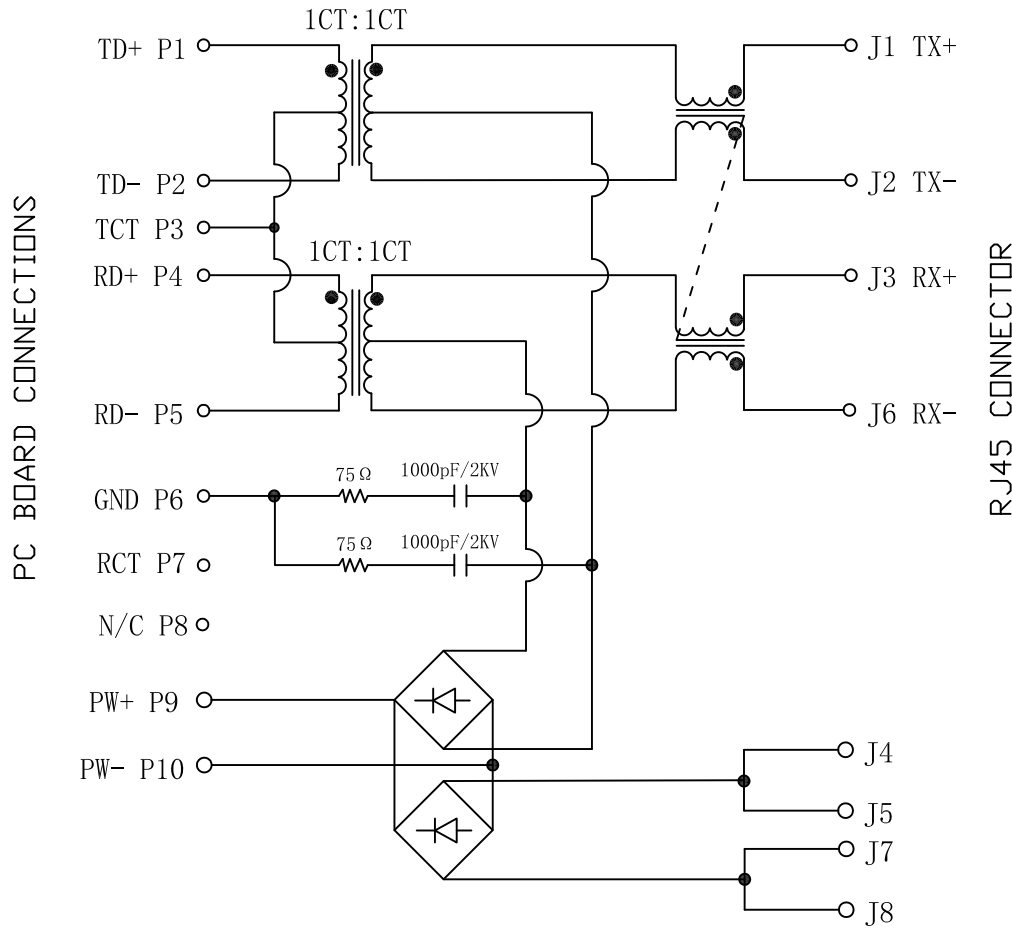


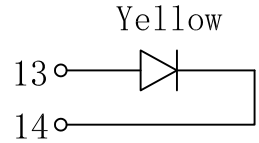
# Schematic:

REV.	ECN NO.	DESCRIPTION	DATE	APPD
A	REL		2016-07-09	

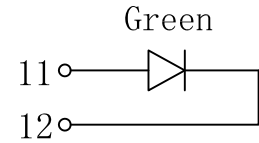


## ELECTRICAL SPECIFICATIONS @25°C

- Turn Ratio(±3%):  
TX=1CT:1CT      RX=1CT:1CT
- Inductance OCL:  
350uH MIN @ 100KHz 0.1V 8mA DC Bias
- DCR:  
1.2Ω MAX
- Insertion Loss:  
-1.1dB MAX @ 0.1-100MHz
- Return Loss:  
-18dB MIN @ 0.5-30MHz  
-15.5dB MIN @ 40MHz  
-13.6dB MIN @ 50MHz  
-12dB MIN @ 60-80MHz
- Cross talk:  
-40dB TYP @ 0.1-100MHz
- Common Mode Rejection:  
-50dB MIN @ 0.1-30MHz  
-40dB MIN @ 30-60MHz  
-35dB MIN @ 60-100MHz
- Balanced DC Line Current:  
350mA MAX @48VDC
- Hipot Test: 1500Vrms
- Operating Temperature Range: 0°C TO 70°C



Left LED



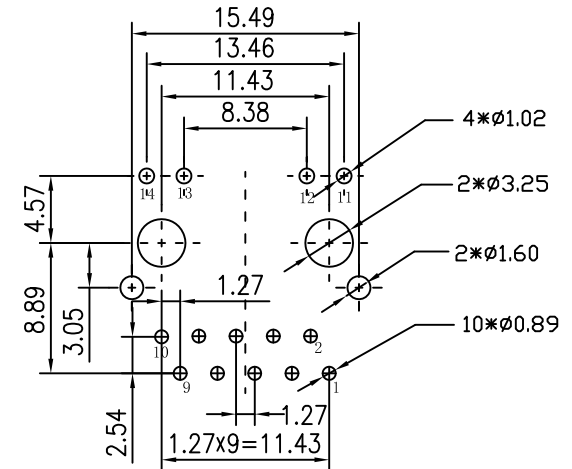
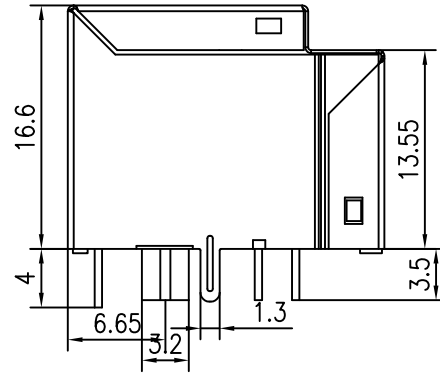
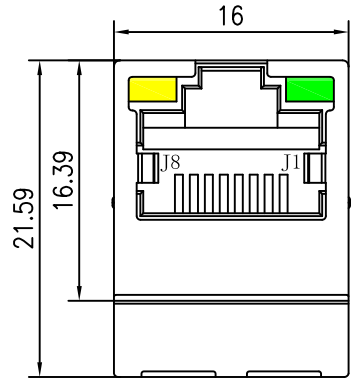
Right LED

Emitting Color	λ p(nm)	VF@IF=20mA	IR @VR=5V
Green	565	1.8~2.4V	10 μ A max
Yellow	585	1.8~2.4V	10 μ A max

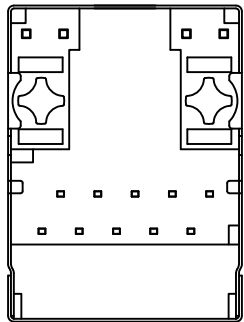
X:X	±0.30	APPD:	LINK-PP INT'L TECHNOLOGY CO., LIMITED	
X:XX	±0.25	CHKD:	TITLE: Vertical RJ45 Connector with 10/100 Base-TX Integrated Magnetics For PoE Application	
X:XXX	±0.05	DR: SEA	PART NO.: LPJD1155BDNL	
ANGLES	±1°	UNIT: mm	DWG NO.: LP14031316	
		SCALE: 2/1	SHEET: 1/2	REV: A

# Mechanical:

REV.	ECN NO.	DESCRIPTION	DATE	APPD
A	REL		2016-07-09	



SUGGESTED PCB LAYOUT (TOP VIEW)



## NOTES:

1. Meets IEEE 802.3af specification
2. Connector Materials:
  - Housing Material: Thermoplastic PBT+30%G.F UL94V-0
  - Contact Material: Phosphor Bronze C5210R-EH Thickness=0.35mm
  - Pins: Brass C2680R-H Thickness=0.35mm
  - Shield: Copper alloy Brass H65Y Thickness=0.2mm
  - Contact plating: Gold 6 micro-inches min. In contact area.
3. Wave solder tip temperature: 265°C Max, 5 Sec Max
4. UL Certification: File Number 484635.

X:X	±0.30	APPD:	LINK-PP INT'L TECHNOLOGY CO., LIMITED	
X:XX	±0.25	CHKD:	TITLE: Vertical RJ45 Connector with 10/100 Base-TX Integrated Magnetics For PoE Application	
X:XXX	±0.05	DR: SEA	PART NO.: LPJD1155BDNL	
ANGLES	±1°	UNIT: mm	DWG NO.: LP14031316	
	SCALE: 2/1	SHEET: 2/2	REV: A	