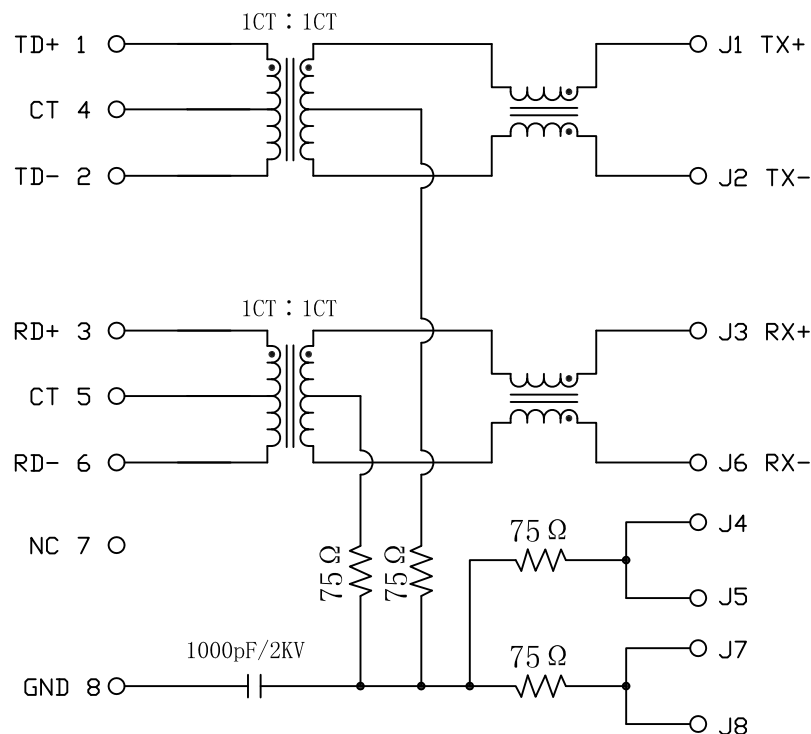


Schematic:

REV.	ECN NO.	DESCRIPTION	DATE	APPD
A	REL		2011/12/08	

PC BOARD CONNECTIONS

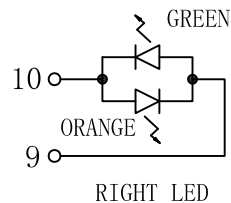
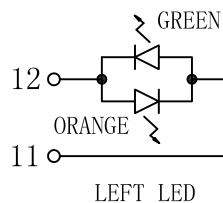


RJ45 CONNECTOR

Electrical Specifications @25°C

- Turns Ratio ($\pm 2\%$):
TX = 1CT : 1CT RX = 1CT : 1CT
- OCL: 350uH Min
@100KHz, 0.1V, 8mADC BIAS
- Insertion Loss:
0.1-100MHz: -1.1dB Max
- Return Loss (dB Min):
0.5-30MHz: -18 40MHz: -15.5
50MHz: -13.6 60-80MHz: -12
- Crosstalk (dB Typ):
0.1-100MHz: -40
- Common Mode Rejection (dB Typ):
0.1-30MHz: -50 30-60MHz: -40
60-100MHz: -35
- Isolation Voltage: 1500Vrms
- Operating Temperature: 0°C ~ 70°C.

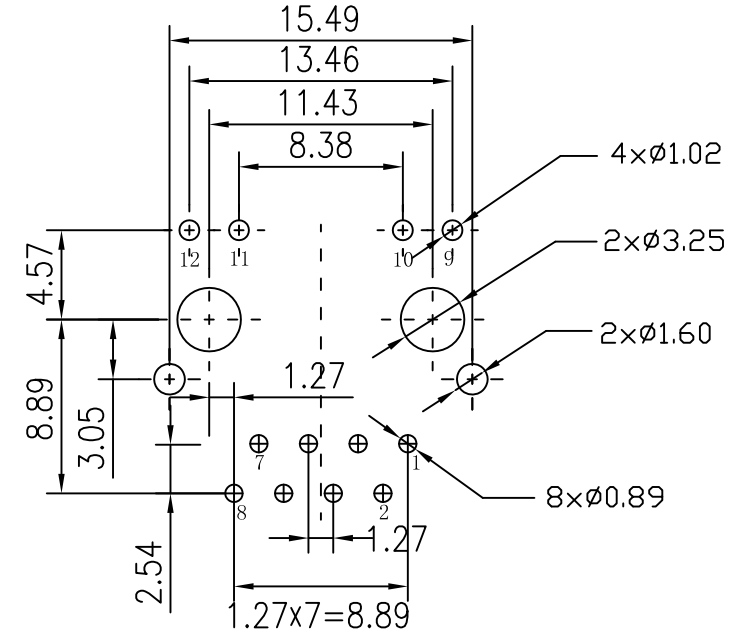
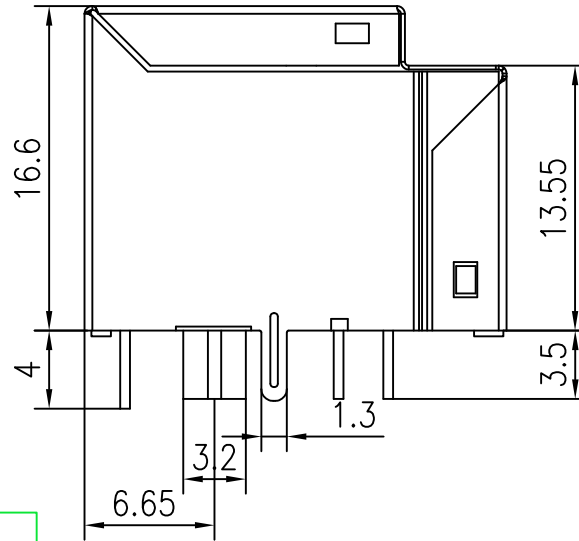
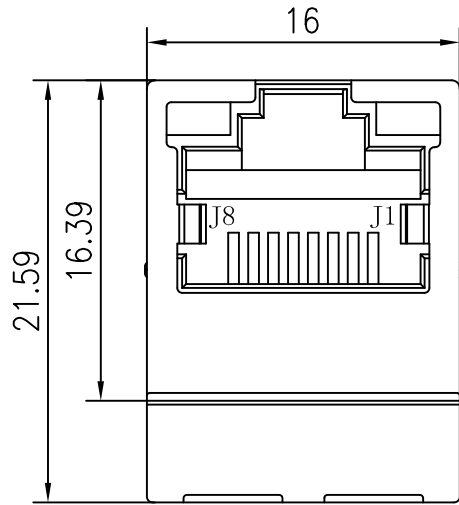
Emitting Color	λ p(nm)	VF@IF=20mA	IR @VR=5V
GREEN / ORANGE	565 / 610	1.8~2.6V	10 μ A max



X:X	± 0.30	APPD:	LINK-PP INT'L TECHNOLOGY CO., LIMITED
X:XX	± 0.25	CHKD:	
X:XXX	± 0.05	DR: TOM	TITLE: Vertical RJ45 Connector With 10/100 Magnetic
ANGLES	$\pm 1^\circ$	UNIT: mm	PART NO.: LPJD1011B31NL
	SCALE: 2/1	SHEET: 1/2	REV: A DWG NO.: LP11120823

Mechanical :

REV.	ECN NO.	DESCRIPTION	DATE	APPD
A	REL		2011/12/08	

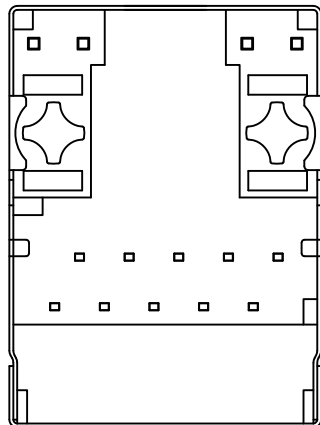


SUGGESTED PCB LAYOUT (TOP VIEW)



NOTES :

1. Designed to support application, such as SOHO (ADSL modems), LAN-on Motherboard (LOM), hub and Switches.
2. Meets IEEE 802.3 specification
3. Connector Materials:
 Housing Material: Thermoplastic PBT+30%G.F UL94V-0
 Contact Material: Phosphor Bronze C5210R-EH Thickness=0.35mm
 Pins: Brass C2680R-H Thickness=0.35mm
 Shield: Copper alloy Brass H65Y Thickness=0.2mm
 Contact plating: Gold 6 micro-inches Min. In contact area.
4. Wave solder tip temperature: 265°C Max, 5 Sec Max



X:X	±0.30	APPD:	LINK-PP INT'L TECHNOLOGY CO., LIMITED
X:XX	±0.25	CHKD:	
X:XXX	±0.05	DR: TOM	TITLE: Vertical RJ45 Connector With 10/100 Magnetic
ANGLES	±1°	UNIT: mm	PART NO.: LPJD1011B31NL
	SCALE: 2/1	SHEET: 2/2	REV: A DWG NO.: LP11120823