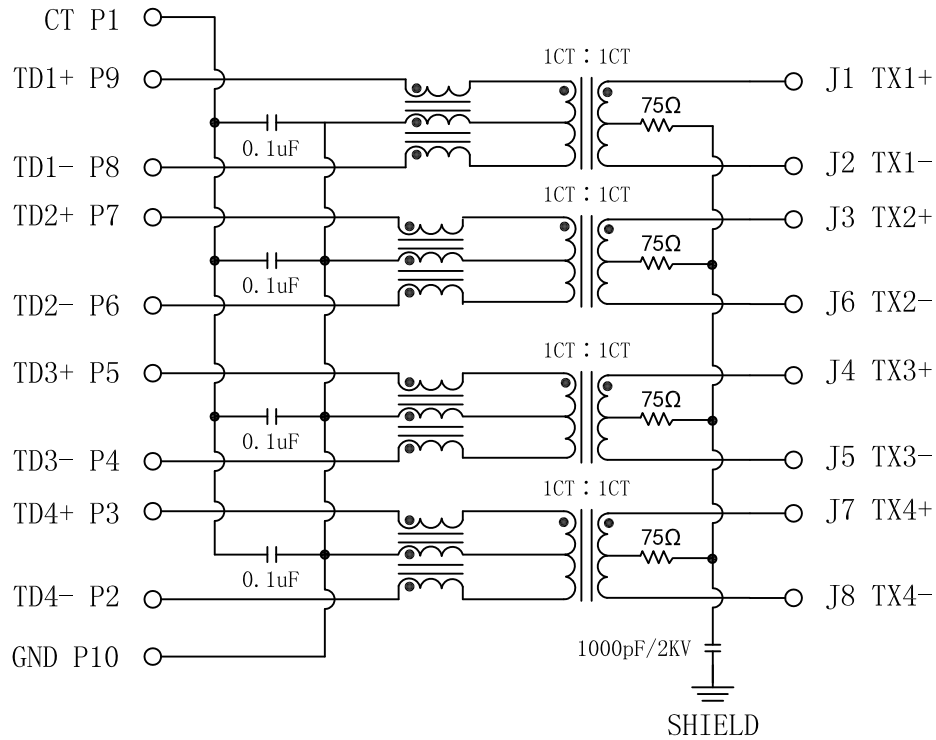


Schematic:

REV.	ECN NO.	DESCRIPTION	DATE	APPD
A	REL		2015/05/16	

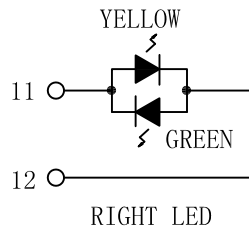
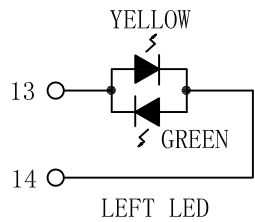
PCB CONNECTIONS



RJ45 CONNECTOR

Electronics Specifications @25°C

1. TURNS RATIO ($\pm 3\%$):
1CT : 1CT
2. OCL (@100KHz, 0.1V, 8mADC Bias): 350uH MIN
3. HIPOT (Isolation Voltage): 1500Vrms
4. INSERTION LOSS:
-1.1dB MAX @1-100MHz
5. RETURN LOSS (100 OHMS $\pm 15\%$):
-18dB MIN @1-40MHz
-12+20LOG (F/80MHz) dB MIN @40-100MHz
6. CROSS TALK:
-40dB MIN @1-30MHz
-30dB MIN @30-60MHz
7. CM TO CM REJ:
-20dB MIN @1-100MHz
8. OPERATING TEMPERATURE RANGE: 0°C ~ 70°C.



RoHS
2011/65/EU

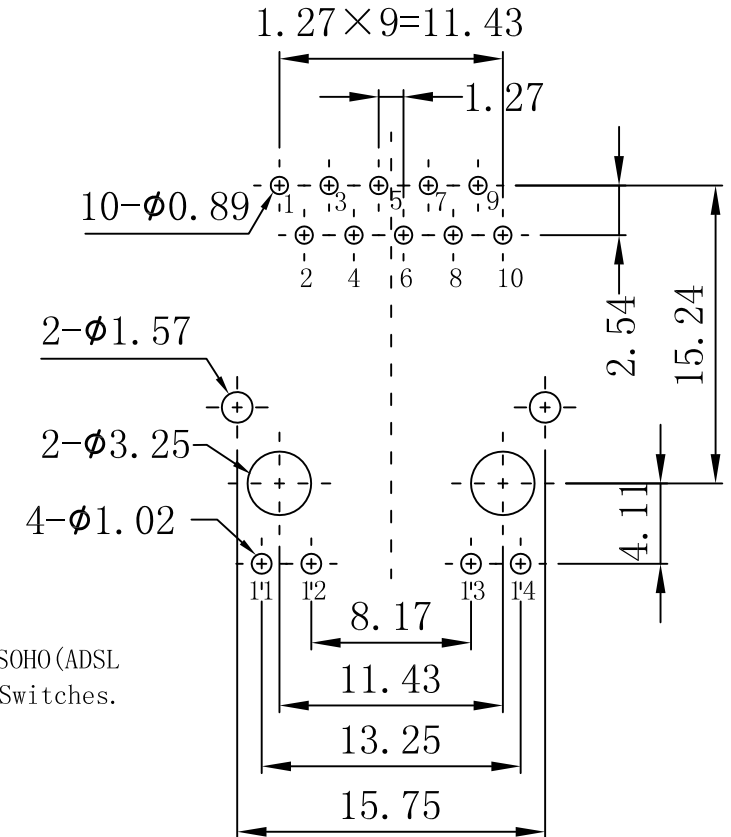
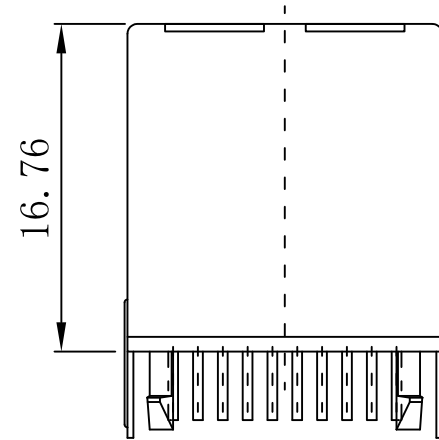
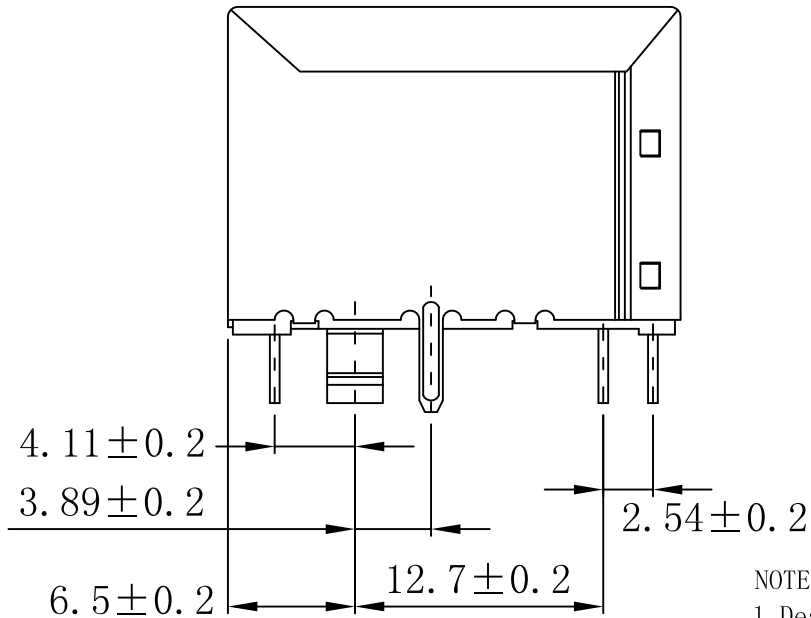


Emitting Color	λ_p (nm)	VF@IF=20mA	IR @VR=5V
GREEN	565	1.8~2.6V	10 μ A max
YELLOW	585	1.8~2.6V	10 μ A max

X:X	± 0.30	APPD:	LINK-PP INT'L TECHNOLOGY CO., LIMITED	
X:XX	± 0.25	CHKD:	TITLE: Vertical RJ45 Connector With 1000 Magnetic	
X:XXX	± 0.05	DR: TOM	PART NO.: LPJD0916B47NL	
ANGLES	$\pm 1^\circ$	UNIT: mm		
	SCALE: 2/1	SHEET: 1/2	REV: A	DWG NO.: LP15051601

Mechanical :

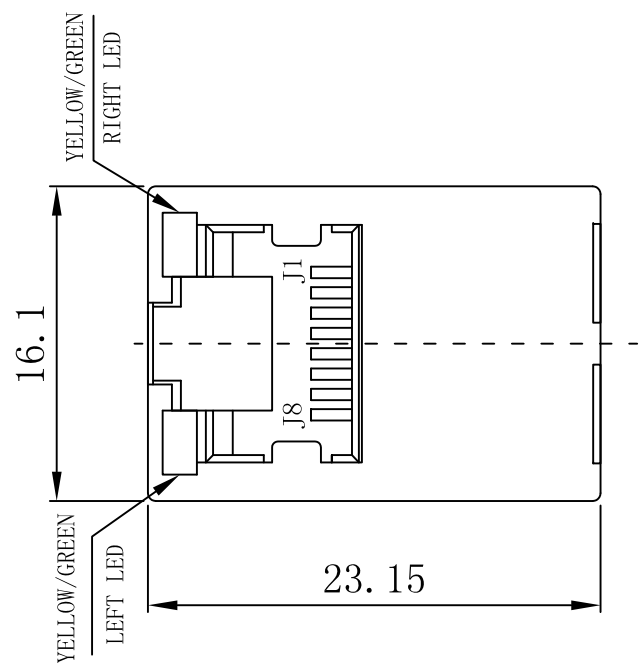
REV.	ECN NO.	DESCRIPTION	DATE	APPD
A	REL		2015/05/16	



SUGGESTED PCB LAYOUT (TOP VIEW)

NOTES:

1. Designed to support application, such as SOHO (ADSL modems), LAN-on-Motherboard (LOM), hub and Switches.
2. Meets IEEE 802.3 specification
3. Connector Materials:
 Housing: Thermoplastic UL94V-0
 Contact/Shield: Copper alloy
 Shield plating: Nickel
 Contact plating: Gold 6 micro-inches min. In contact area.
4. Wave solder tip temperature: 265°C Max, 5 Sec Max.



X:X	±0.30	APPD:	LINK-PP INT'L TECHNOLOGY CO., LIMITED
X:XX	±0.25	CHKD:	
X:XXX	±0.05	DR: TOM	TITLE: Vertical RJ45 Connector With 1000 Magnetic
ANGLES	±1°	UNIT: mm	PART NO.: LPJD0916B47NL
	SCALE: 2/1	SHEET: 2/2	REV: A DWG NO.: LP15051601