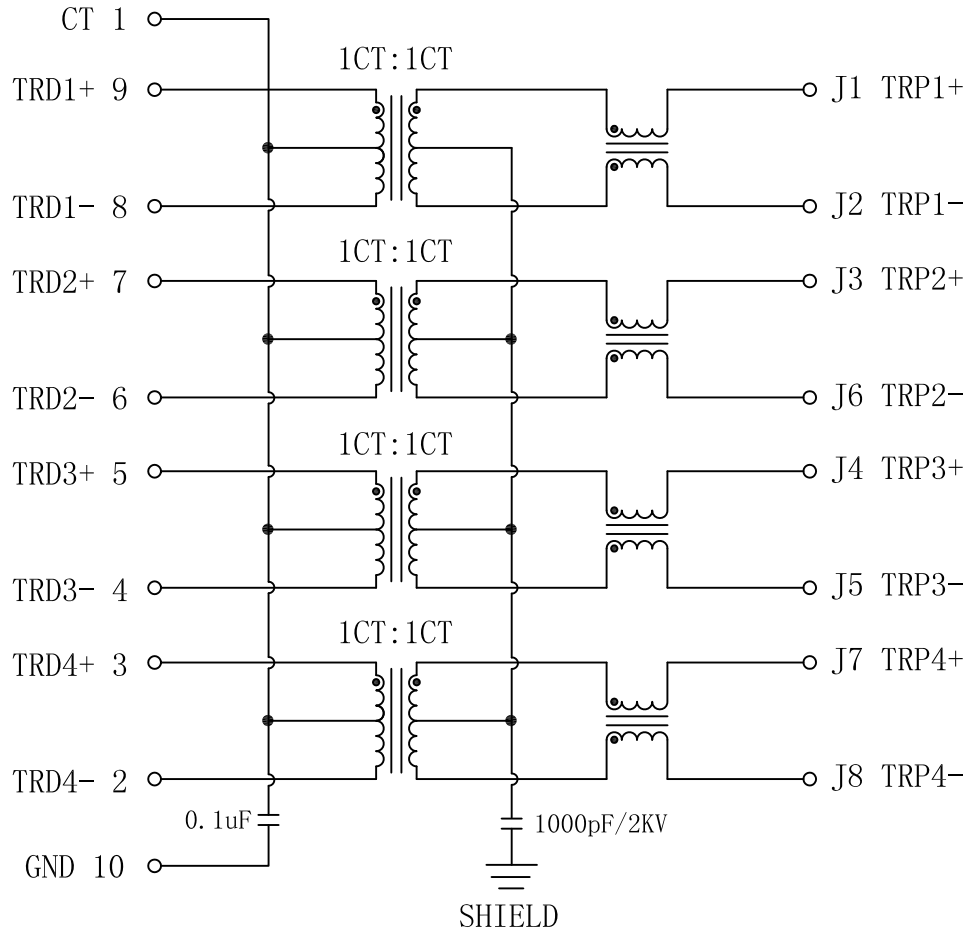


Schematic:

REV.	ECN NO.	DESCRIPTION	DATE	APPD
A	REL		05/05/2009	

PIN

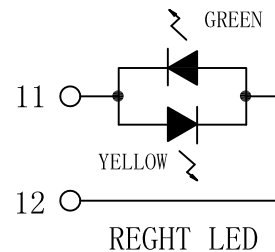
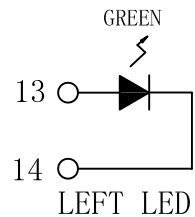
RJ45



Electronics Specifications @25°C

1. TURNS RATIO(±3%): 1CT : 1CT
2. OCL(100KHz, 0.1V, 8mA): 350uH MIN
3. HIPOT(Isolation Voltage): 1500Vrms
4. INSERTION LOSS:
 - 1.1dB MAX @ 1MHz TO 100MHz
5. RETURN LOSS(100 OHMS ±15%):
 - 18dB MIN @ 1MHz TO 40MHz
 - 14dB MIN @ 60MHz
 - 12dB MIN @ 80MHz
 - 10dB MIN @ 100MHz
6. CROSS TALK:
 - 40dB MIN @ 1MHz TO 30MHz
 - 30dB MIN @ 30MHz TO 60MHz
7. CM TO CM REJ:
 - 20dB MIN @ 1MHz TO 100MHz
8. OPERATING TEMPERATURE RANGE: 0°C ~ +70°C.

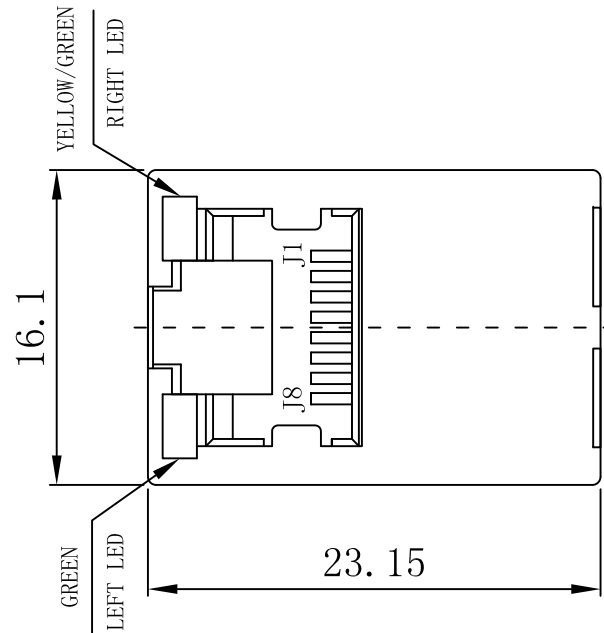
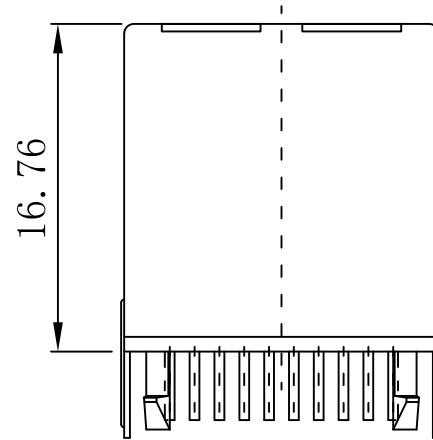
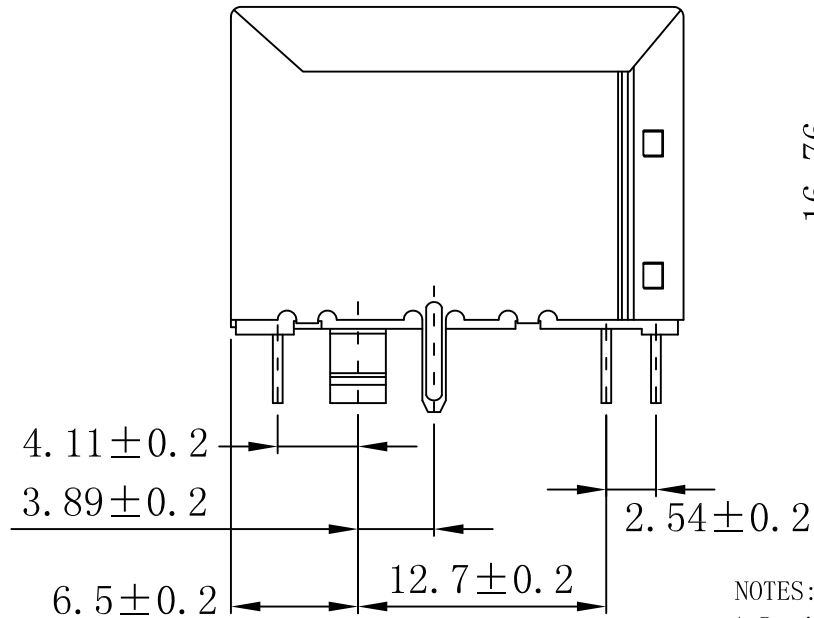
Emitting Color	λ p(nm)	VF@IF=20mA	IR @VR=5V
GREEN	565	1.8~2.6V	10 μ A max
YELLOW	585	1.8~2.6V	10 μ A max



X:X	±0.30	APPD:	LINK-PP INT'L TECHNOLOGY CO., LIMITED
X:XX	±0.25	CHKD:	
X:XXX	±0.05	DR: TOM	TITLE: Vertical RJ45 Connector With 1000 Magnetic
ANGLES	±1°	UNIT: mm	PART NO.: LPJD0834BUNL
	SCALE: 2/1	SHEET: 1/2	REV: A
			DWG NO.: LP09050533

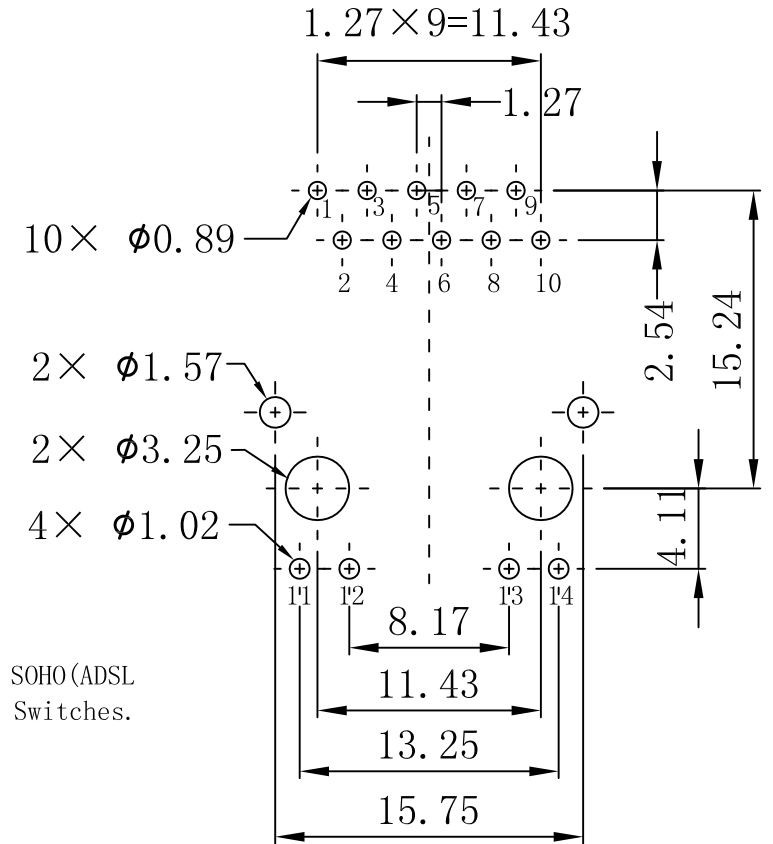
Mechanical :

REV.	ECN NO.	DESCRIPTION	DATE	APPD
A	REL		05/05/2009	



NOTES:

1. Designed to support application, such as SOHO (ADSL modems), LAN-on-Motherboard (LOM), hub and Switches.
2. Meets IEEE 802.3 specification
3. Connector Materials:
 Housing: Thermoplastic UL94V-0
 Contact/Shield: Copper alloy
 Shield plating: Nickel
 Contact plating: Gold 6 micro-inches min. In contact area.
4. Wave solder tip temperature: 265°C Max, 5 Sec Max.



SUGGESTED PCB LAYOUT (TOP VIEW)



X:X	±0.30	APPD:	LINK-PP INT'L TECHNOLOGY CO., LIMITED
X:XX	±0.25	CHKD:	
X:XXX	±0.05	DR: TOM	TITLE: Vertical RJ45 Connector With 1000 Magnetic
ANGLES	±1°	UNIT: mm	PART NO.: LPJD0834BUNL
	SCALE: 2/1	SHEET: 2/2	REV: A DWG NO.: LP09050533