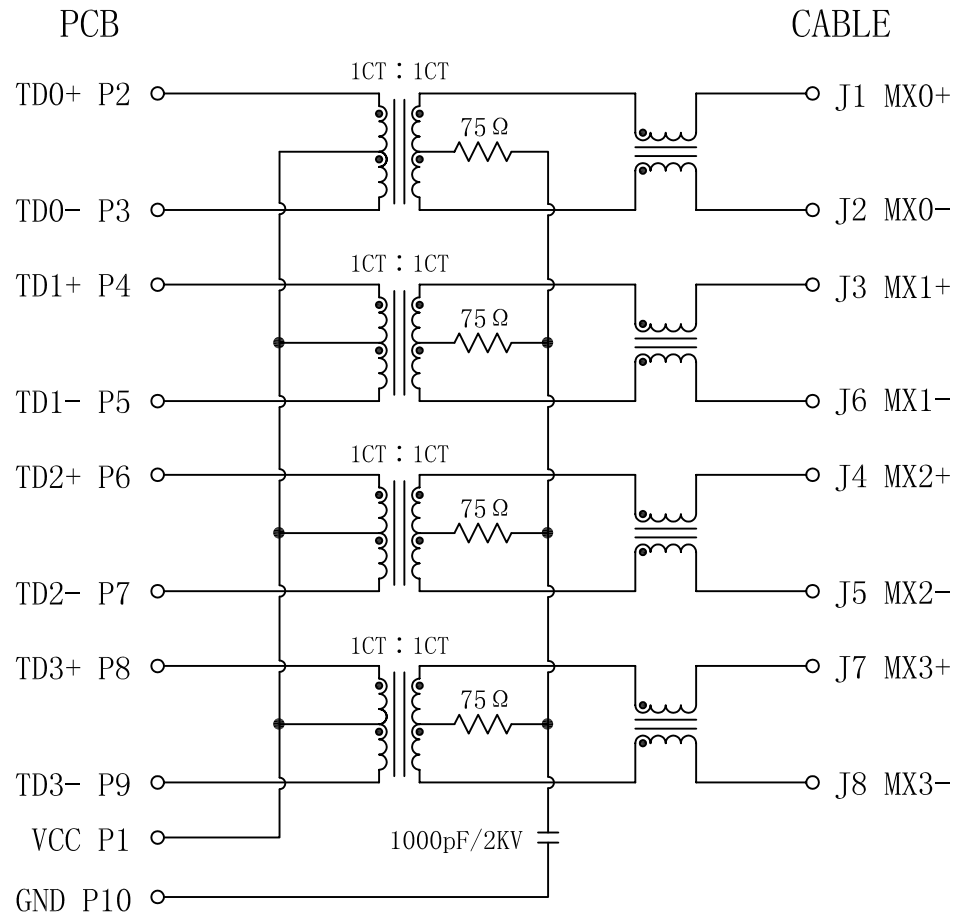


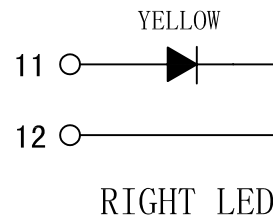
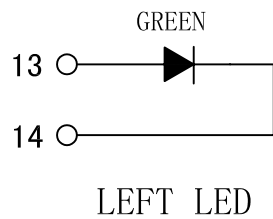
Schematic :

REV.	ECN NO.	DESCRIPTION	DATE	APPD
A	REL		2011/09/16	



Electronics Specifications @25°C

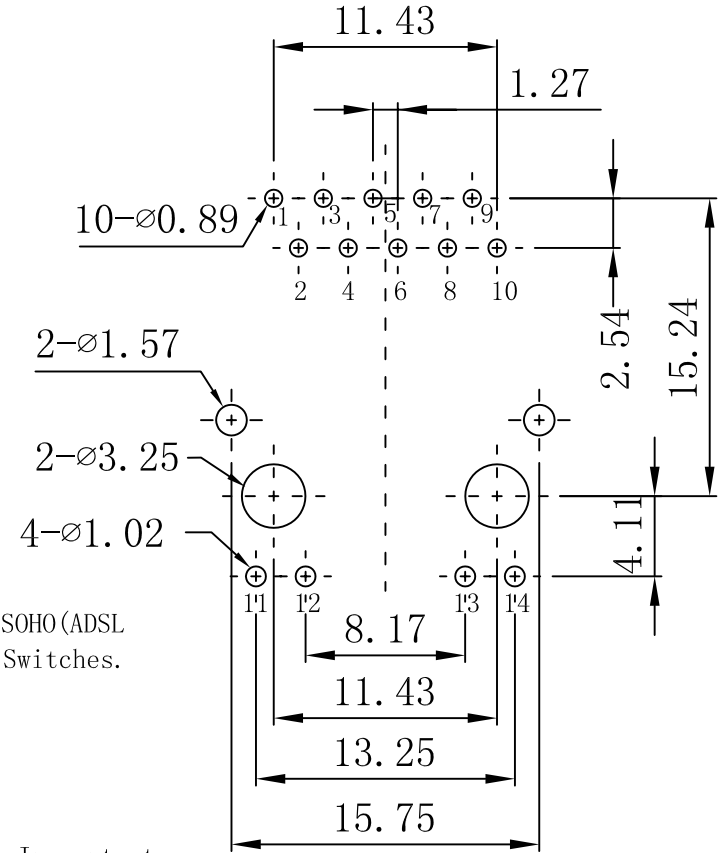
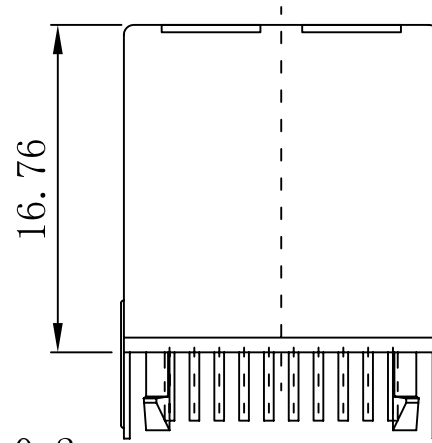
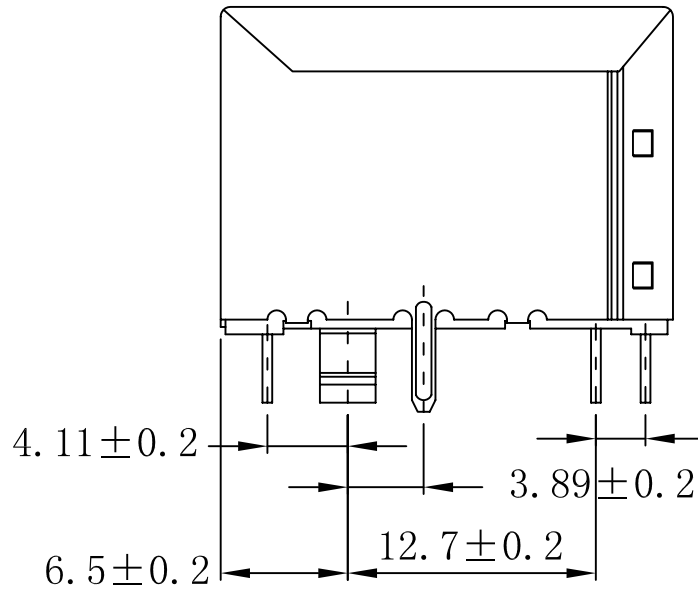
1. TURNS RATIO:
TX=1CT:1CT RX=1CT:1CT
2. OCL: 350uH MIN
@100KHz, 100mVAC, 8mADC
3. ISOLATION: 1500Vrms
4. INSERTION LOSS:
-1.0dB MAX @ 1MHz TO 100MHz
5. RETURN LOSS:
-18dB MIN @ 1MHz TO 40MHz
-14dB MIN @ 40MHz TO 60MHz
-12dB MIN @ 60MHz TO 80MHz
-10dB MIN @ 80MHz TO 100MHz
6. CROSS TALK:
-30dB MIN @ 1MHz TO 100MHz
7. COMMON MODE REJECTION:
-35dB MIN @ 1MHz TO 100MHz
8. OPERATING TEMPERATURE RANGE: 0°C ~ +70°C.



X:X	±0.20	APPD:	LINK-PP INT'L TECHNOLOGY CO., LIMITED	
X:XX	±0.10	CHKD:	Title: Vertical RJ45 Connector With 1000 Magnetic	
X:XXX	±0.05	DR: TOM	PART NO. : LPJD0820BENL	
ANGLES	±1°	UNIT: mm		
	SCALE: 2/1	SHEET: 1/2	REV: A	DWG NO. : LP11091606

Mechanical:

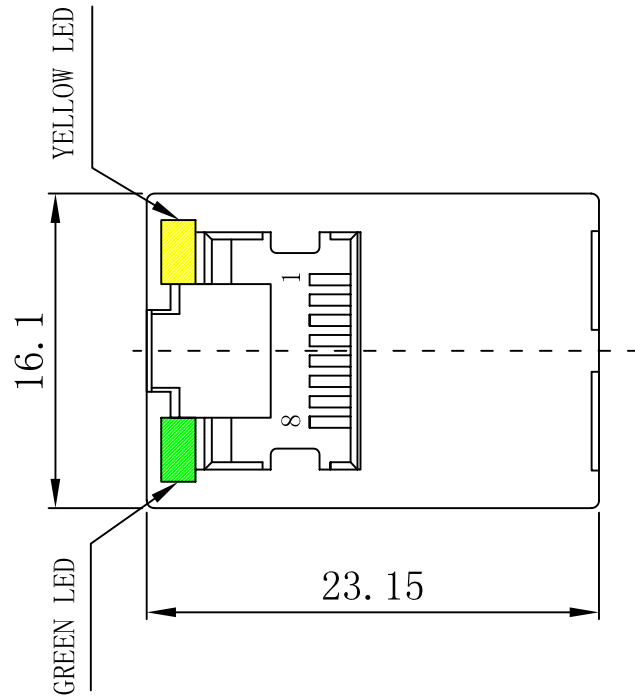
REV.	ECN NO.	DESCRIPTION	DATE	APPD
A	REL		2011/09/16	



SUGGESTED PCB LAYOUT (TOP VIEW)

NOTES:

1. Designed to support application, such as SOHO (ADSL modems), LAN-on-Motherboard (LOM), hub and Switches.
2. Meets IEEE 802.3 specification
3. Connector Materials:
Housing: Thermoplastic UL94V-0
Contact/Shield: Copper alloy
Shield plating: Nickel
Contact plating: Gold 6 micro-inches min. In contact area.
4. Wave solder tip temperature: 265°C Max
Wave solder tip temperature time: 5 Sec Max



X:X	±0.20	APPD:	LINK-PP INT'L TECHNOLOGY CO., LIMITED
X:XX	±0.10	CHKD:	
X:XXX	±0.05	DR: TOM	Title: Vertical RJ45 Connector With 1000 Magnetic
ANGLES	±1°	UNIT: mm	PART NO.: LPJD0820BENL
	SCALE: 2/1	SHEET: 2/2	REV: A DWG NO.: LP11091606