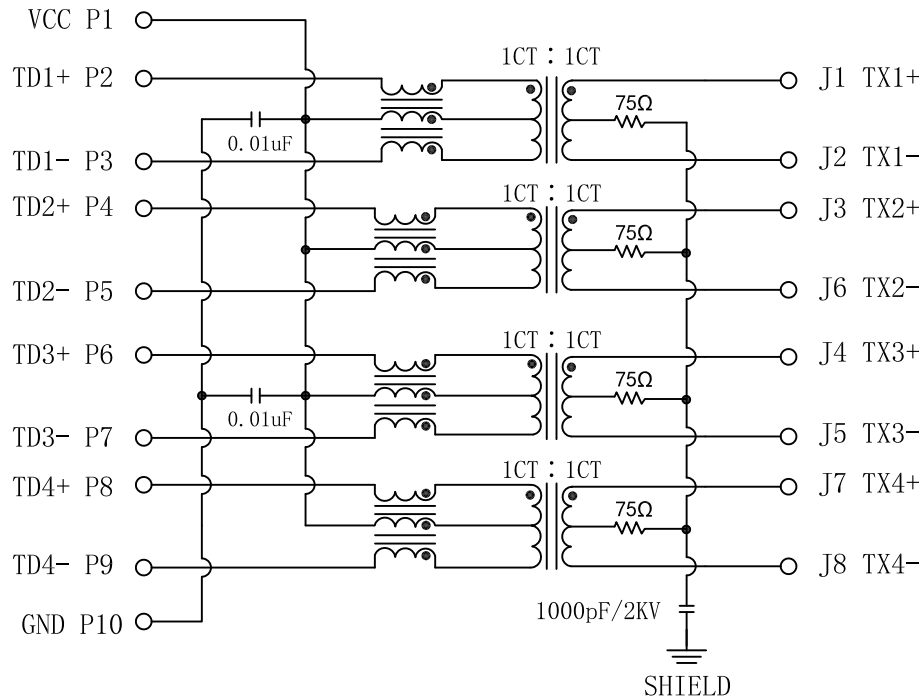


Schematic:

REV.	ECN NO.	DESCRIPTION	DATE	APPD
A	REL		2010/11/13	

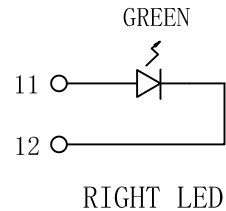
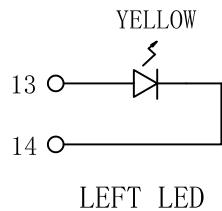
PC BOARD CONNECTIONS



RJ45 CONNECTOR

Electrical Specifications @25°C

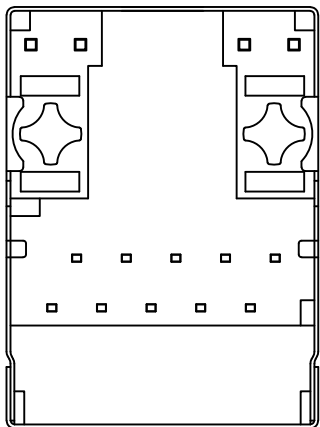
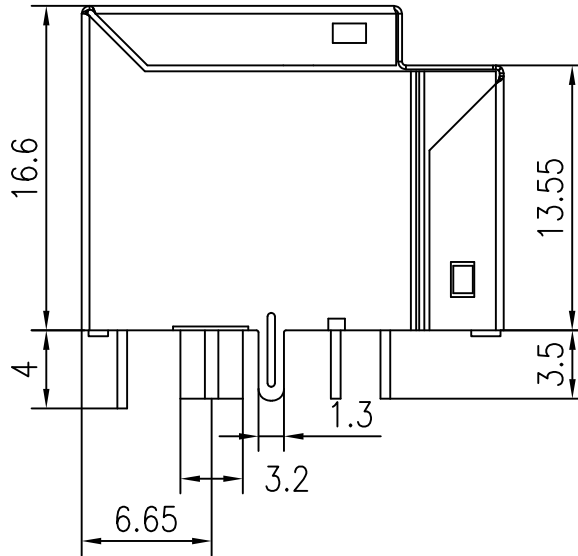
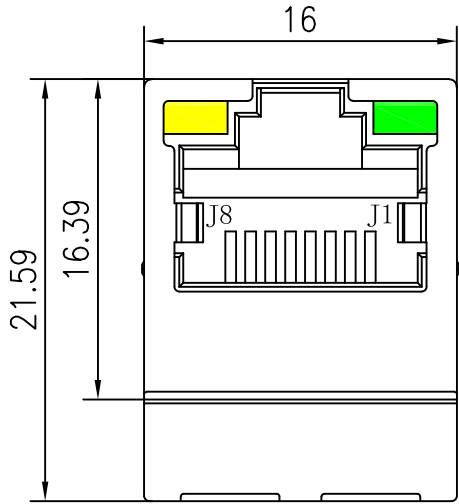
- Impedance: 100 ohms
- OCL: 350uH Min
@100KHz, 0.1V, 8mADC BIAS
- Turns Ratio:
Pri : Sec = 1CT : 1CT ±3%
- Insertion Loss:
1-100MHz:-1.1dB Max
- Return Loss(dB Min):
1-40MHz:-18 60MHz:-14
80MHz:-12 100MHz:-10
- Crosstalk:
1-100MHz:-35dB Typ
- Common Mode Rejection(dB Typ):
0.1-30MHz:-38 30-60MHz:-35
60-100MHz:-30
- Isolation Voltage: 1500Vrms
- Operating Temperature: 0°C~70°C.



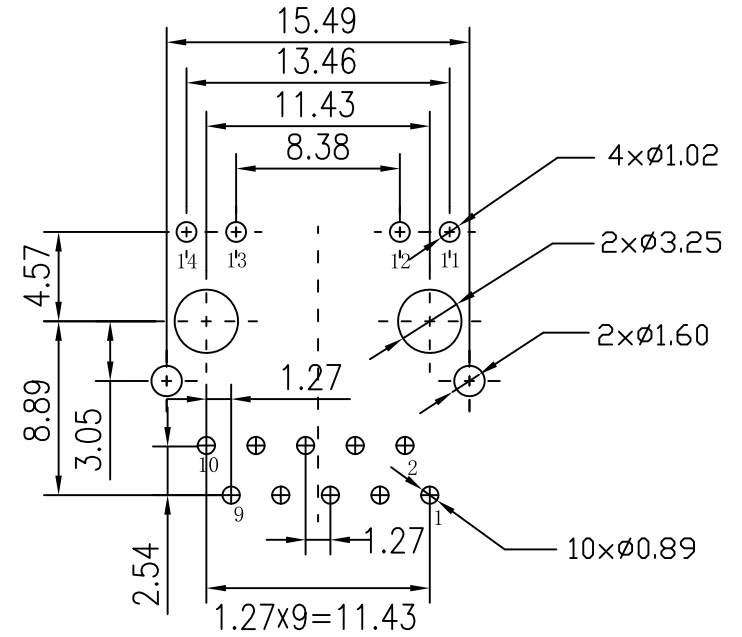
Emitting Color	λp(nm)	VF@IF=20mA	IR @VR=5V
GREEN	565	1.8~2.6V	10 μA max
YELLOW	585	1.8~2.6V	10 μA max

X:X	±0.30	APPD:	LINK-PP INT'L TECHNOLOGY CO., LIMITED
X:XX	±0.25	CHKD:	
X:XXX	±0.05	DR: TOM	TITLE: Vertical RJ45 Connector With 1000 Magnetic
ANGLES	±1°	UNIT: mm	PART NO.: LPJD0773BDNL
	SCALE: 2/1	SHEET: 1/2	REV: A
			DWG NO.: LP1011135

Mechanical :



REV.	ECN NO.	DESCRIPTION	DATE	APPD
A	REL		2010/11/13	



SUGGESTED PCB LAYOUT (TOP VIEW)

NOTES:

1. Designed to support application, such as SOHO (ADSL modems), LAN-on Motherboard (LOM), hub and Switches.
2. Meets IEEE 802.3 specification
3. Connector Materials:
 Housing Material: Thermoplastic PBT+30%G.F UL94V-0
 Contact Material: Phosphor Bronze C5210R-EH Thickness=0.35mm
 Pins: Brass C2680R-H Thickness=0.35mm
 Shield: Copper alloy Brass H65Y Thickness=0.2mm
 Contact plating: Gold 6 micro-inches Min. In contact area.
4. Wave solder tip temperature: 250°C, 5 Sec.
5. UL Certification: File Number E484635.

X:X	±0.30	APPD:	LINK-PP INT'L TECHNOLOGY CO., LIMITED	
X:XX	±0.25	CHKD:	TITLE: Vertical RJ45 Connector With 1000 Magnetic	
X:XXX	±0.05	DR: TOM	PART NO.: LPJD0773BDNL	
ANGLES	±1°	UNIT: mm	DWG NO.: LP1011135	
	SCALE: 2/1	SHEET: 1/2	REV: A	