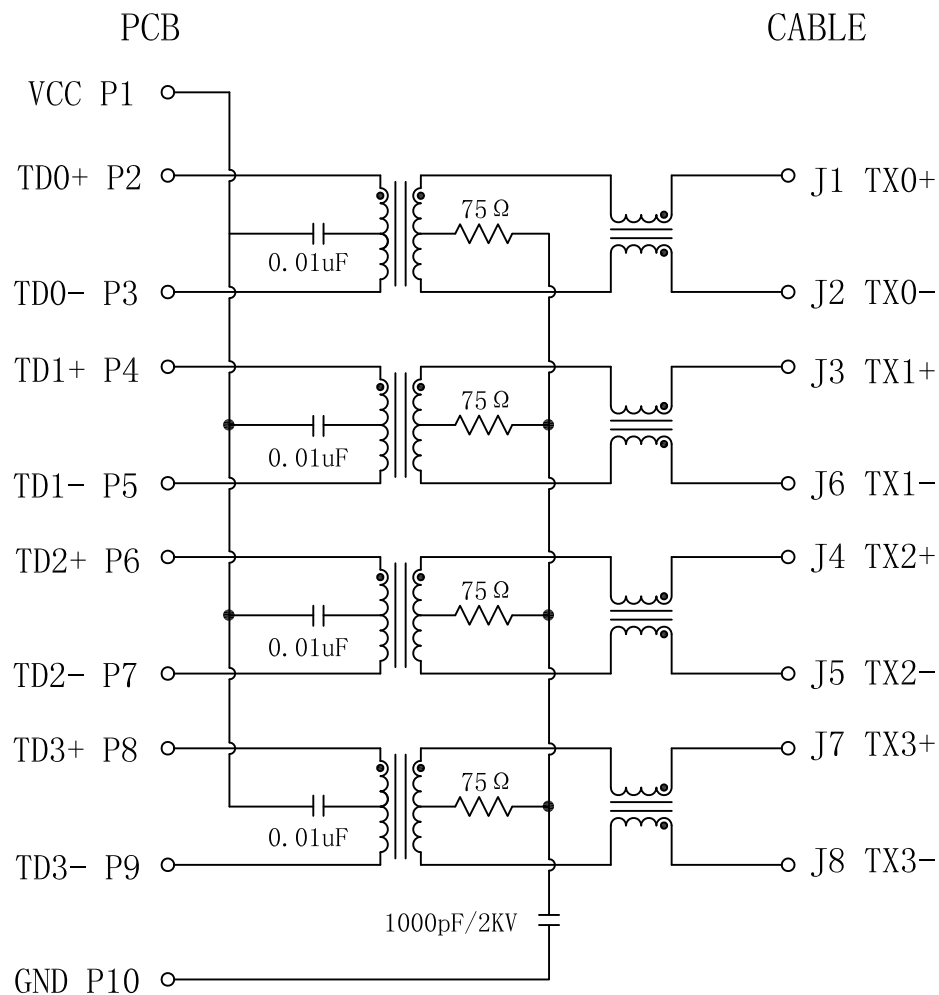


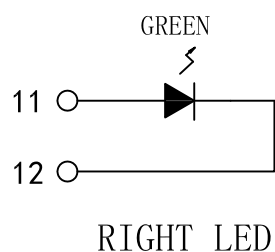
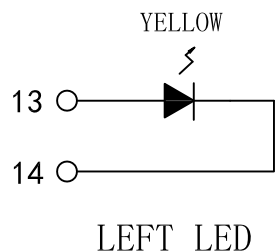
Schematic:

REV.	ECN NO.	DESCRIPTION	DATE	APPD
A	REL		2014/10/16	



ELECTRICAL SPECIFICATIONS @25°C

- Turn Ratio ($\pm 2\%$):
1CT : 1CT
- Inductance OCL: 350uH Min
@100KHz, 0.1V, 8mA DC Bias
- Insertion Loss:
-0.5dB Max @ 1-65MHz
-0.8dB Max @ 65-100MHz
-1.2dB Max @ 100-125MHz
- Return Loss:
-16dB Min. (Load 100 OHM) @ 1-30MHz
-13.5dB Min. (Load 100 OHM) @ 30-40MHz
-11.5dB Min. (Load 100 OHM) @ 40-50MHz
-10dB Min. (Load 100 OHM) @ 60-80MHz
- Cross talk:
-30dB MIN @ 1-100MHz
- Common Mode Rejection:
-30dB MIN @ 1-100MHz
- Hipot Test: 1500Vrms MIN
- Operating Temperature : 0°C TO 70°C



X:X	± 0.30	APPD:	LINK-PP INT'L TECHNOLOGY CO., LIMITED
X:XX	± 0.25	CHKD:	
X:XXX	± 0.05	DR: TOM	TITLE: Vertical RJ45 Connector With 1000 Magnetic
ANGLES	$\pm 1^\circ$	UNIT: mm	PART NO.: LPJD0743BDNL
	SCALE: 2/1	SHEET: 1/2	REV: A
			LP14101601

