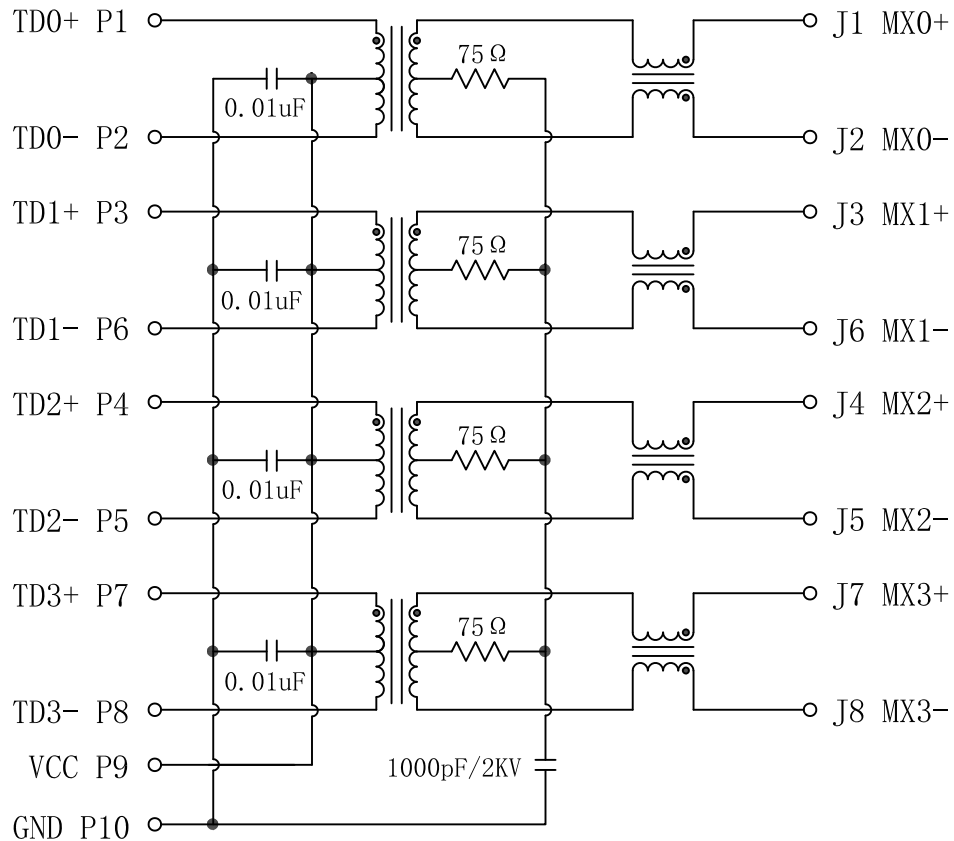


Schematic:

REV.	ECN NO.	DESCRIPTION	DATE	APPD
A	REL		2010/11/13	

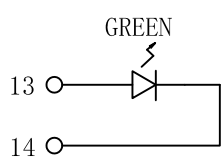
PC BOARD CONNECTIONS



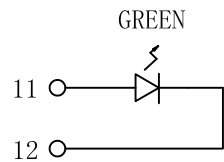
RJ45 CONNECTOR

Electronics Specifications @25°C

- Turns Ratio ($\pm 3\%$):
Pri:Sec = 1CT:1CT
- OCL: 350uH MIN
@100KHz, 0.1V, 8mADC Bias
- Isolation: 1500Vrms
- Insertion Loss:
-1.1dB MAX @1~100MHz
- Return Loss:
-18dB MIN @1~40MHz
-14dB MIN @60MHz
-12dB MIN @80MHz
-10dB MIN @100MHz
- Cross Talk:
-35dB TYP @1~100MHz
- CMR:
-50dB TYP @0.1~30MHz
-40dB TYP @30~60MHz
-35dB TYP @60~100MHz
- Operating Temperature: 0°C ~ 70°C.



LEFT LED



RIGHT LED

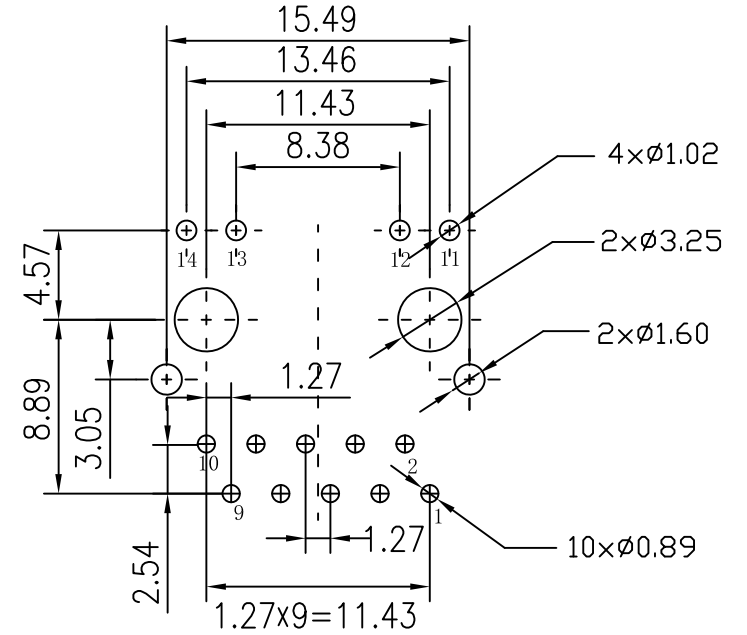
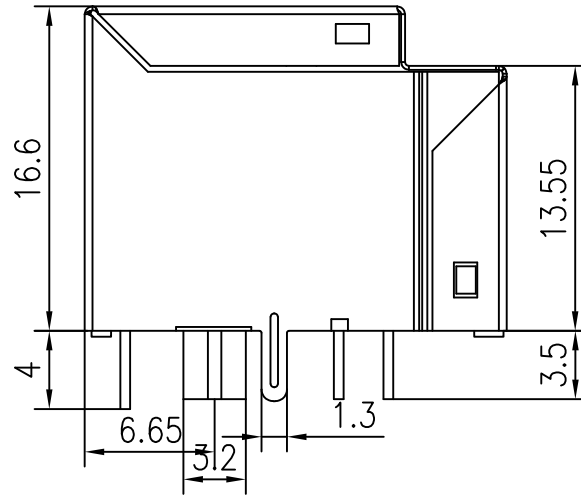
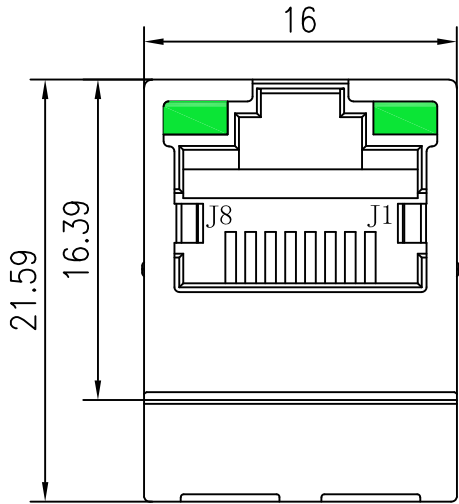


Emitting Color	λ_p (nm)	VF@IF=20mA	IR @VR=5V
GREEN	565	1.8~2.6V	10 μ A max
YELLOW	585	1.8~2.6V	10 μ A max

X:X	± 0.30	APPD:	LINK-PP INT'L TECHNOLOGY CO., LIMITED	
X:XX	± 0.25	CHKD:	TITLE: Vertical RJ45 Connector With 1000 Magnetic	
X:XXX	± 0.05	DR: TOM	PART NO.: LPJD0713BFNL	
ANGLES	$\pm 1^\circ$	UNIT: mm	PART NO.: LPJD0713BFNL	
	SCALE: 2/1	SHEET: 1/2	REV: A	LP10111331

Mechanical :

REV.	ECN NO.	DESCRIPTION	DATE	APPD
A	REL		2010/11/13	



SUGGESTED PCB LAYOUT (TOP VIEW)



NOTES :

1. Designed to support application, such as SOHO (ADSL modems), LAN-on Motherboard (LOM), hub and Switches.
2. Meets IEEE 802.3 specification
3. Connector Materials:

Housing Material: Thermoplastic PBT+30%G. F UL94V-0

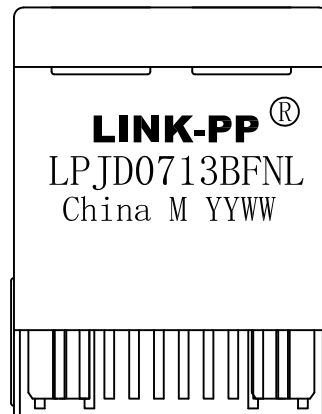
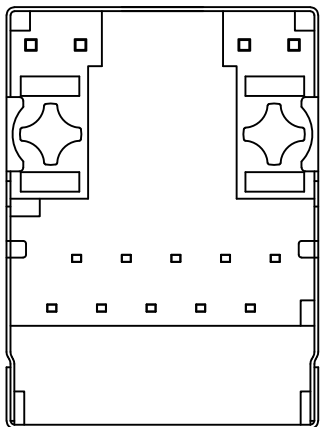
Contact Material: Phosphor Bronze C5210R-EH Thickness=0.35mm

Pins: Brass C2680R-H Thickness=0.35mm

Shield: Copper alloy Brass H65Y Thickness=0.2mm

Contact plating: Gold 6 micro-inches Min. In contact area.

4. Wave solder tip temperature: 250°C, 5 Sec.
5. UL Certification: File Number E484635.



X:X	±0.30	APPD:	LINK-PP INT'L TECHNOLOGY CO., LIMITED	
X:XX	±0.25	CHKD:	TITLE: Vertical RJ45 Connector With 1000 Magnetic	
X:XXX	±0.05	DR: TOM	PART NO.: LPJD0713BFNL	
ANGLES	±1°	UNIT: mm	DWG NO.: LP10111331	
	SCALE: 2/1	SHEET: 2/2	REV: A	