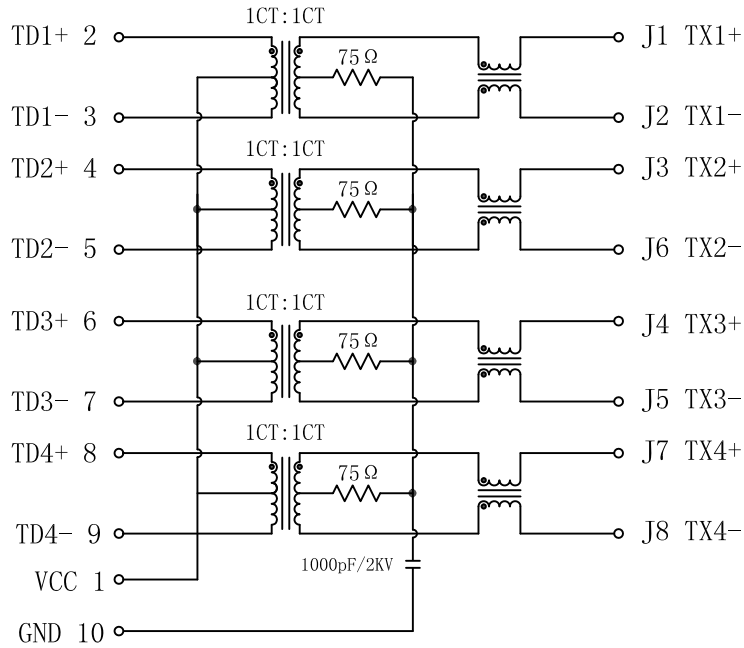


# Schematic:

REV.	ECN NO.	DESCRIPTION	DATE	APPD
A	REL		2018/06/29	

PC BOARD CONNECTIONS

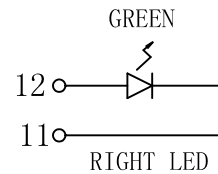
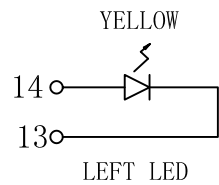


RJ45 CONNECTOR

## ELECTRICAL SPECIFICATIONS @25°C

- Turn Ratio ( $\pm 3\%$ ):  
Pri:Sec = 1CT:1CT
- Inductance OCL: 350uH MIN  
@100KHz, 0.1V, 8mA DC Bias
- Insertion Loss:  
-1.0dB MAX @1-100MHz
- Return Loss:  
-18dB MIN @1-40MHz  
-14dB MIN @40-60MHz  
-12dB MIN @60-80MHz  
-10dB MIN @80-100MHz
- Cross talk:  
-30dB MIN @1-100MHz
- CMR:  
-35dB MIN @1-100MHz
- Hipot Test: 1500Vrms MIN
- Operating Temperature Range: 0°C to 70°C.

Emitting Color	$\lambda_p$ (nm)	V <sub>F</sub> @I <sub>F</sub> =20mA	I <sub>R</sub> @V <sub>R</sub> =5V
GREEN	565	1.8~2.6V	10 $\mu$ A max
YELLOW	585	1.8~2.6V	10 $\mu$ A max



X:X	$\pm 0.30$	APPD:	LINK-PP INT'L TECHNOLOGY CO., LIMITED	
X:XX	$\pm 0.25$	CHKD:	TITLE: Vertical RJ45 Connector With 10/100/1000 Magnetic	
X:XXX	$\pm 0.05$	DR: TOM	PART NO: LPJD0620BGNL	
ANGLES	$\pm 1^\circ$	UNIT: mm	PART NO: LPJD0620BGNL	
	SCALE: 2/1	SHEET: 1/2	REV: A	DWG NO: LP18062918

