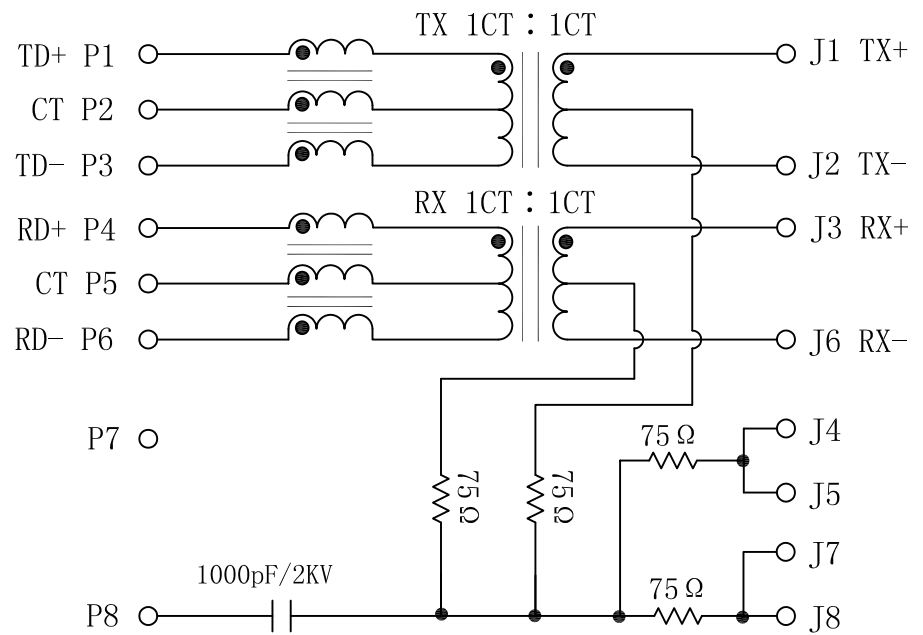


Schematic:

REV.	ECN NO.	DESCRIPTION	DATE	APPD
A	REL		2010/11/03	

PC BOARD CONNECTIONS



RJ45 CONNECTOR

Electrical Specifications @25°C

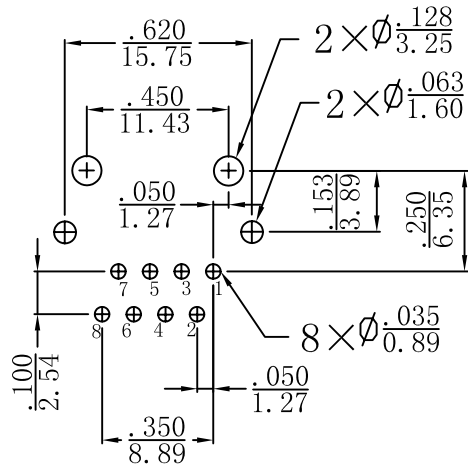
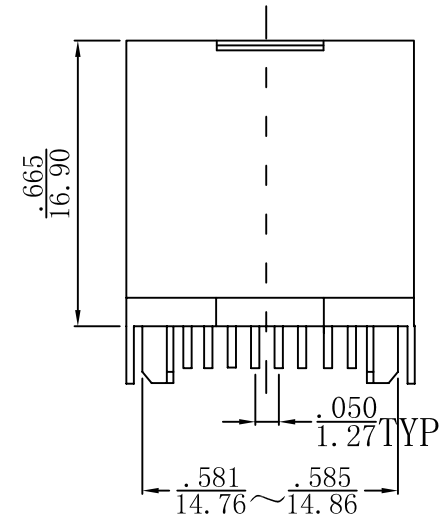
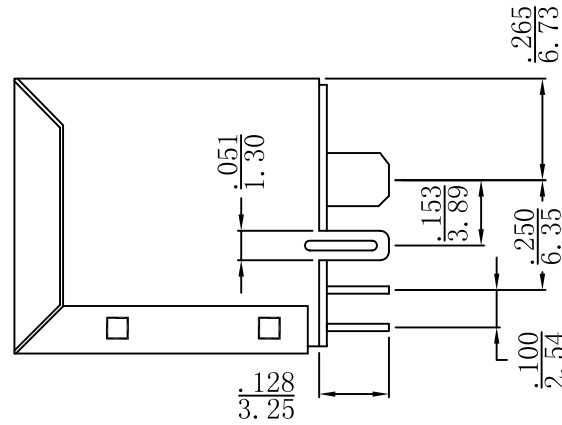
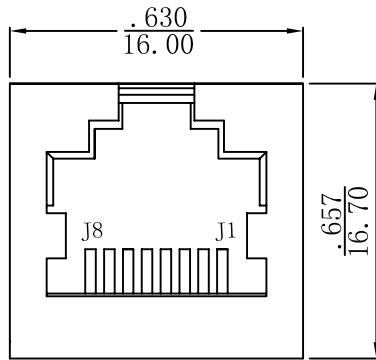
- Turns Ratio($\pm 3\%$):
TX=1CT:1CT RX=1CT:1CT
- OCL: 350uH min
@100KHz, 100mV, 8 mA bias
- Insertion Loss:
0.1-100MHz:-1.1dB max
- Return Loss(dB min):
0.5-30MHz:-18
60-80MHz:-12
- Crosstalk:
0.1-100MHz:-33 dB min
- Common to Common Mode Attenuation:
0.1-100MHz:-33 dB min
- Hipot: 1500VAC
- Operating Temperature: 0°C~70°C.



X:X	± 0.20	APPD:	LINK-PP INT'L TECHNOLOGY CO., LIMITED	
X:XX	± 0.10	CHKD:	TITLE: Vertical RJ45 Connector With 10/100 Magnetic	
X:XXX	± 0.05	DR:	PART NO.: LPJD0185DNL	
ANGLES	$\pm 1^\circ$	UNIT: Inches/mm		
	SCALE: 2/1	SHEET: 1/2	REV: A	DWG NO.: LP10110321

Mechanical:

REV.	ECN NO.	DESCRIPTION	DATE	APPD
A	REL		2010/11/03	



SUGGESTED PCB LAYOUT (TOP VIEW)

NOTES:

1. Designed to support application, such as SOHO (ADSL modems), LAN-on-Motherboard (LOM), hub and Switches.
2. Meets IEEE 802.3 specification
3. Connector Materials:
 Housing: Thermoplastic UL94V-0
 Contact/Shield: Copper alloy
 Shield plating: Nickel
 Contact plating: Gold 6 micro-inches min. In contact area.
4. Wave solder tip temperature: 265°C Max
 Wave solder tip temperature time: 5 Sec Max



X:X	±0.20	APPD:	LINK-PP INT'L TECHNOLOGY CO., LIMITED	
X:XX	±0.10	CHKD:	TITLE: Vertical RJ45 Connector With 10/100 Magnetic	
X:XXX	±0.05	DR: TOM	PART NO.: LPJD0185DNL	
ANGLES	±1°	UNIT: Inches/mm		
	SCALE: 2/1	SHEET: 2/2	REV: A	DWG NO.: LP10110321