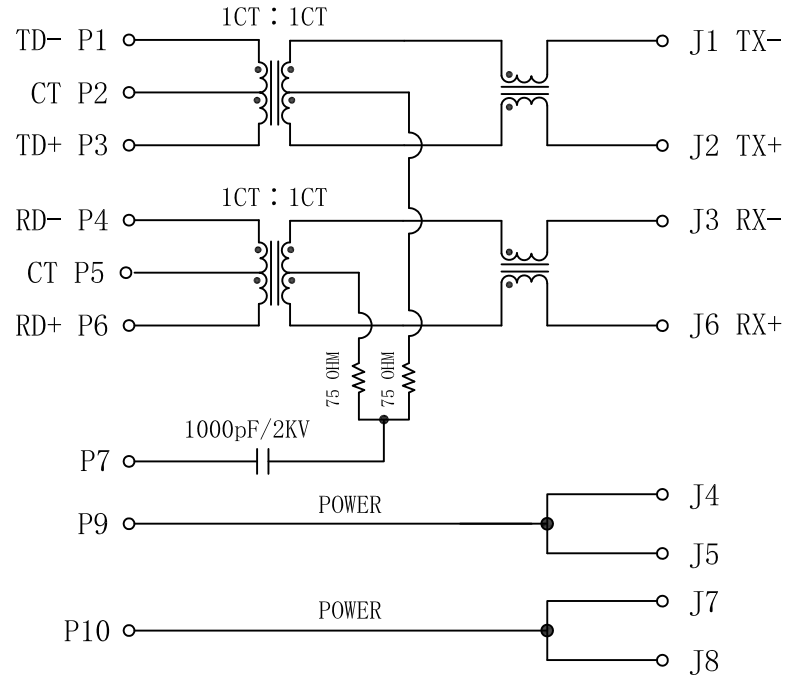


Schematic:

| REV. | ECN NO. | DESCRIPTION | DATE | APPD |
|------|---------|-------------|------------|------|
| A | REL | | 2017-12-13 | |

PC BOARD CONNECTIONS

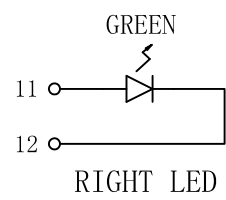
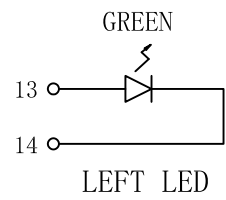


RJ45 CONNECTOR

ELECTRICAL SPECIFICATIONS @25°C

- Turn Ratio:
TX=1CT:1CT RX=1CT:1CT
- Inductance OCL:
350uH MIN @100KHz 0.1V 8mA DC Bias
- Insertion Loss:
-1.1dB MAX @0.1-100MHz
- Return Loss(@100 OHM):
-18dB MIN @1-30MHz
-12dB MIN @60-80MHz
- Cross talk:
-40dB TYP @1-100MHz
- Common to Common Mode Attenuation:
-35dB TYP @30-100MHz
- Current capability for power lines: 400mA MAX.
- Hipot Test: 1500Vrms
- Operating Temperature Range: 0°C TO 70°C

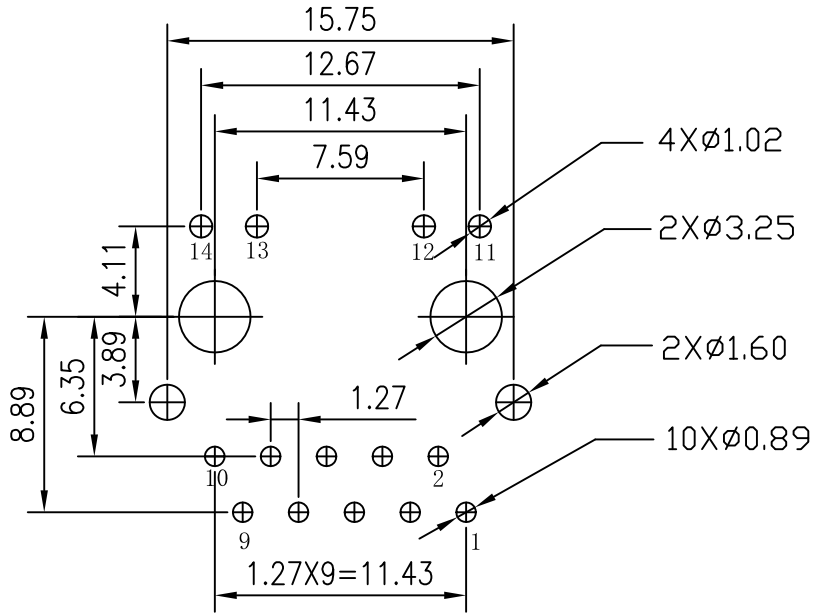
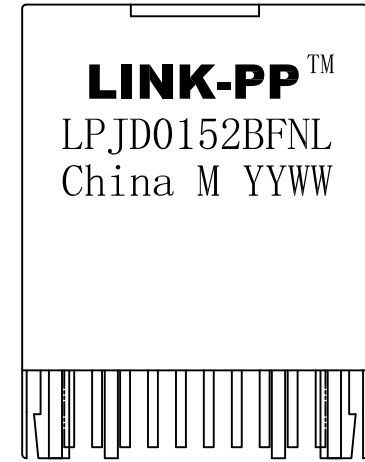
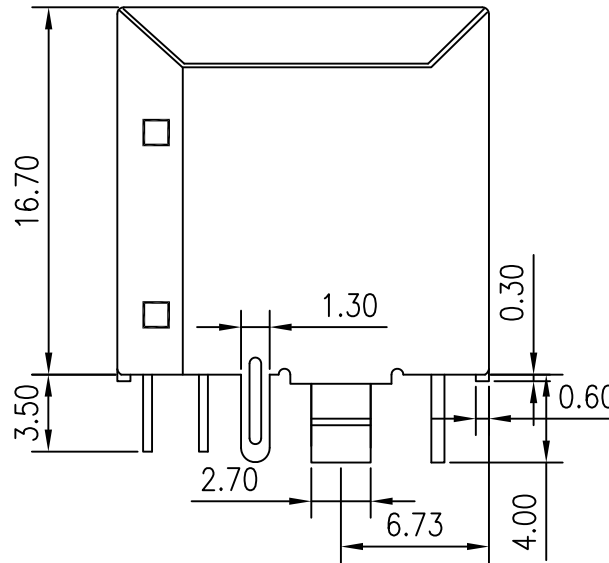
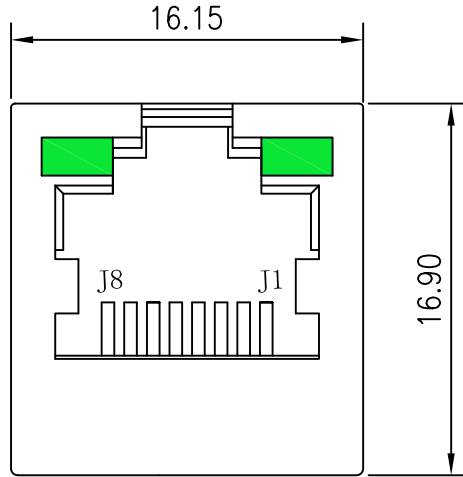
| Emitting Color | λ_p (nm) | V _F @I _F =20mA | I _R @V _R =5V |
|----------------|------------------|--------------------------------------|------------------------------------|
| GREEN | 565 | 1.8~2.4V | 10 μ A max |



| | | | |
|--------|------------|------------|----------------------------------------------------------------------------|
| X:X | ±0.30 | APPD: | LINK-PP INT'L TECHNOLOGY CO., LIMITED |
| X:XX | ±0.25 | CHKD: | |
| X:XXX | ±0.05 | DR: TOM | |
| ANGLES | ±1° | UNIT: mm | TITLE: Vertical RJ45 Connector With 10/100 Magnetic For PoE Application |
| | | | PART NO.: LPJD0152BFNL |
| | SCALE: 3/1 | SHEET: 1/2 | REV: A |
| | | | DWG NO.: LP17121311 |

Mechanical:

| REV. | ECN NO. | DESCRIPTION | DATE | APPD |
|------|---------|-------------|------------|------|
| A | REL | | 2017-12-13 | |



SUGGESTED PCB LAYOUT (TOP VIEW)

NOTES:

1. Meets IEEE 802.3af specification
2. Connector Materials:
 Housing: Thermoplastic UL94V-0
 Contact/Shield: Copper alloy
 Shield plating: Nickel
 Contact plating: Gold 6 micro-inches min. In contact area
3. Wave solder tip temperature: 265°C Max, 5 Sec.
4. UL Certification: File Number E484635.



| | | | |
|--------|------------|------------|----------------------------------------------------------------------------|
| X:X | ±0.30 | APPD: | LINK-PP INT'L TECHNOLOGY CO., LIMITED |
| X:XX | ±0.25 | CHKD: | |
| X:XXX | ±0.05 | DR: TOM | TITLE: Vertical RJ45 Connector With 10/100 Magnetic For PoE Application |
| ANGLES | ±1° | UNIT: mm | PART NO.: LPJD0152BFNL |
| | SCALE: 3/1 | SHEET: 2/2 | REV: A DWG NO.: LP17121311 |