

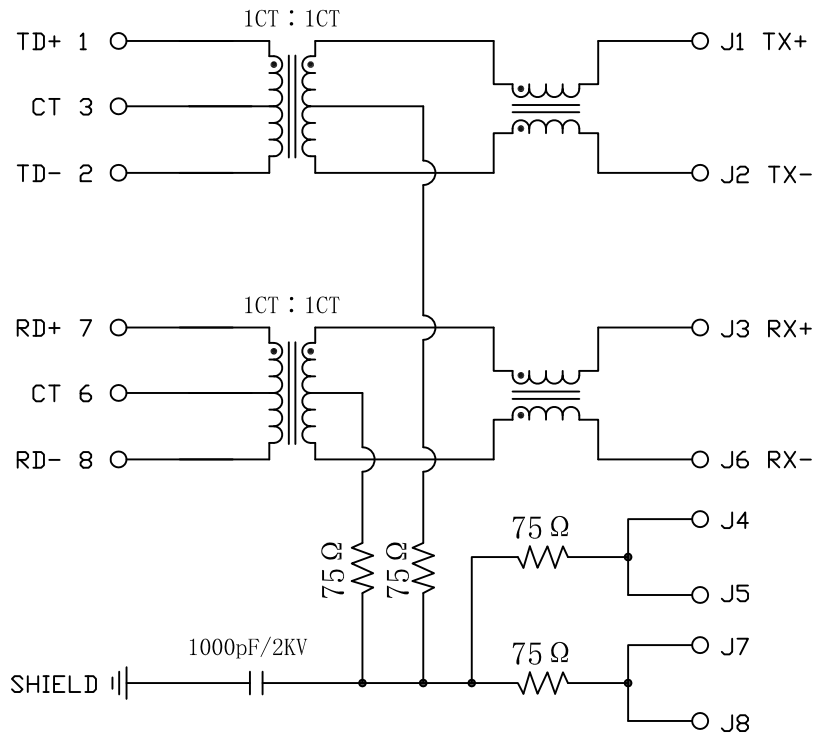
Schematic:

REV.	ECN NO.	DESCRIPTION	DATE	APPD
A	REL		2014/02/27	

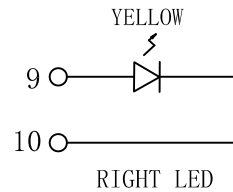
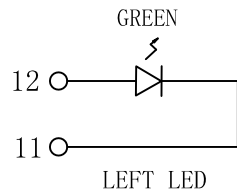
Electrical Specifications @25°C

- Turns Ratio:
TX=1CT:1CT RX=1CT:1CT
- Inductance: 350uH Min
@100KHz, 100mV, 8mA DC Bias Current.
- Insertion Loss:
0.1~100MHz:-1.0dB Max
- Return Loss (dB Min):
1~30MHz:-18 40MHz:-16
50MHz:-14 60~80MHz:-12
- Crosstalk (dB Min):
30MHz:-45 60MHz:-40
100MHz:-35
- CMR: (dB Min):
30MHz:-35 60MHz:-30
100MHz:-25
- Hipot: 1500Vrms
- Operating Temperature: 0°C~70°C.

PC BOARD CONNECTIONS



RJ45 CONNECTOR

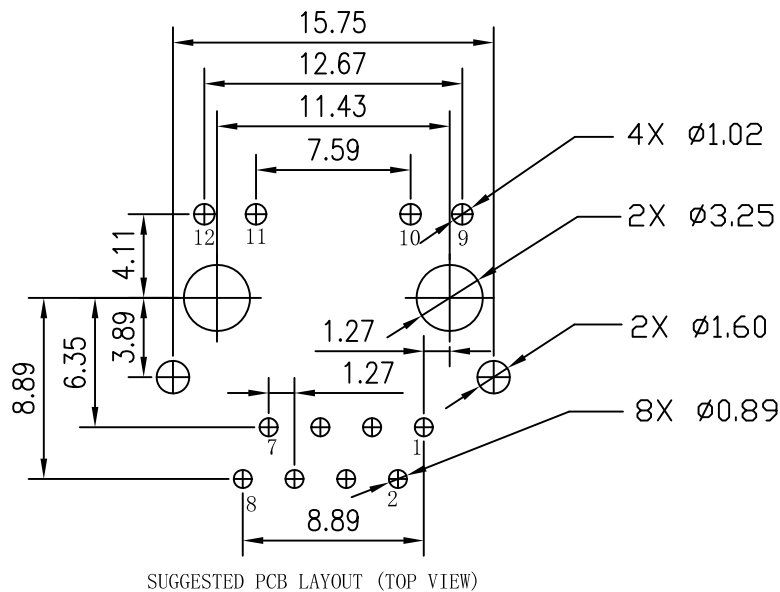
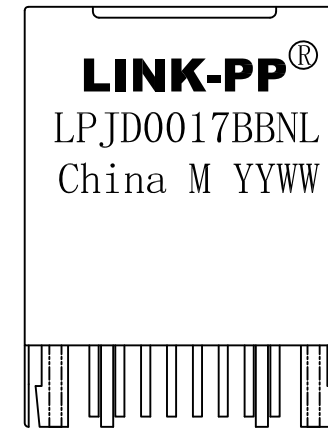
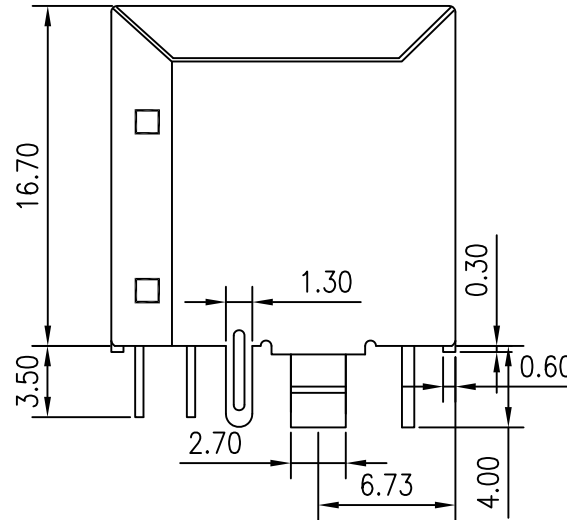
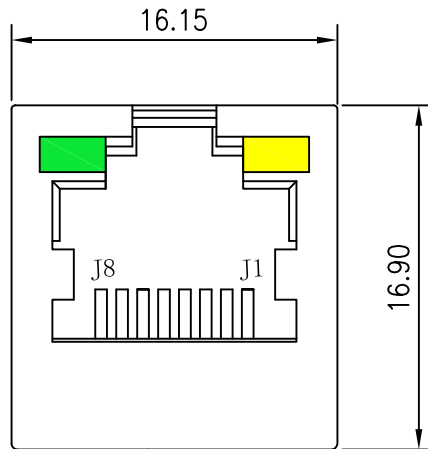


Emitting Color	λ p(nm)	VF@IF=20mA	IR @VR=5V
GREEN	565	1.8~2.6V	10 μA max
YELLOW	585	1.8~2.6V	10 μA max

X:X	±0.30	APPD:	LINK-PP INT'L TECHNOLOGY CO., LIMITED
X:XX	±0.25	CHKD:	
X:XXX	±0.05	DR: TOM	TITLE: Vertical RJ45 Connector With 10/100 Magnetic
ANGLES	±1°	UNIT: Inches/mm	PART NO.: LPJD0017BBNL
	SCALE: 2/1	SHEET: 1/2	REV: A DWG NO.: LP14022735

Mechanical:

REV.	ECN NO.	DESCRIPTION	DATE	APPD
A	REL		2014/02/27	



NOTES:

1. Designed to support application, such as SOHO (ADSL modems), LAN-on-Motherboard (LOM), hub and Switches.
2. Meets IEEE 802.3 specification
3. Connector Materials:
 Housing: Thermoplastic UL94V-0
 Contact/Shield: Copper alloy
 Shield plating: Nickel
 Contact plating: Gold 6 micro-inches min. In contact area.
4. Wave solder tip temperature: 265°C Max, 5 Sec.
5. UL Certification: File Number E484635.

X:X	±0.30	APPD:	LINK-PP INT'L TECHNOLOGY CO., LIMITED
X:XX	±0.25	CHKD:	TITLE: Vertical RJ45 Connector With 10/100 Magnetic
X:XXX	±0.05	DR: TOM	PART NO.: LPJD0017BBNL
ANGLES	±1°	UNIT: Inches/mm	DWG NO.: LP14022735
	SCALE: 2/1	SHEET: 2/2	REV: A