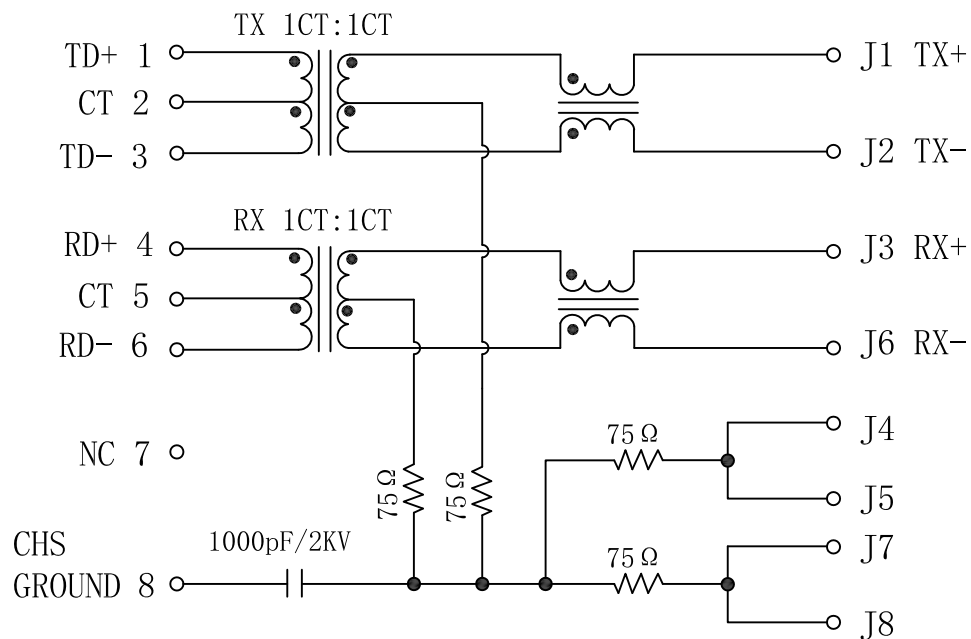


Schematic:

REV.	ECN NO.	DESCRIPTION	DATE	APPD
A	REL		2015-05-21	

PC BOARD CONNECTIONS

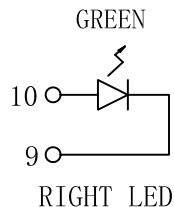
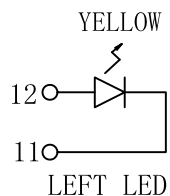


RJ45 CONNECTOR

Electrical Specification:

TEST NOTES (25 ± 5°C)

- TR: (100KHz, 0.1V);
TX=1CT:1CT ± 2% RX=1CT:1CT ± 2%
- LX: (@100KHz, 100mV, 8mA, DC Bias)
PINS: (1-3), (4-6)=350uH MIN
- Transmitter filter & Receiver filter Type:
Balance low pass 100Ω impedance
- Hipot:
Input (1-3) TO Output (J1-J2): 1500VAC 60sec
Input (4-6) TO Output (J3-J6): 1500VAC 60sec
- Insertion Loss:
-1.0dB MAX @1.0MHz TO 100MHz
- Return Loss:
-18dB MIN @1.0MHz TO 30MHz
-16dB MIN @30MHz TO 60MHz
-12dB MIN @60MHz TO 80MHz
- Cross Talk:
-30dB MIN @1.0MHz TO 100MHz
- Common Mode Rejection:
-30dB MIN @1.0MHz TO 100MHz
- Operating temperature: 0°C to +70°C



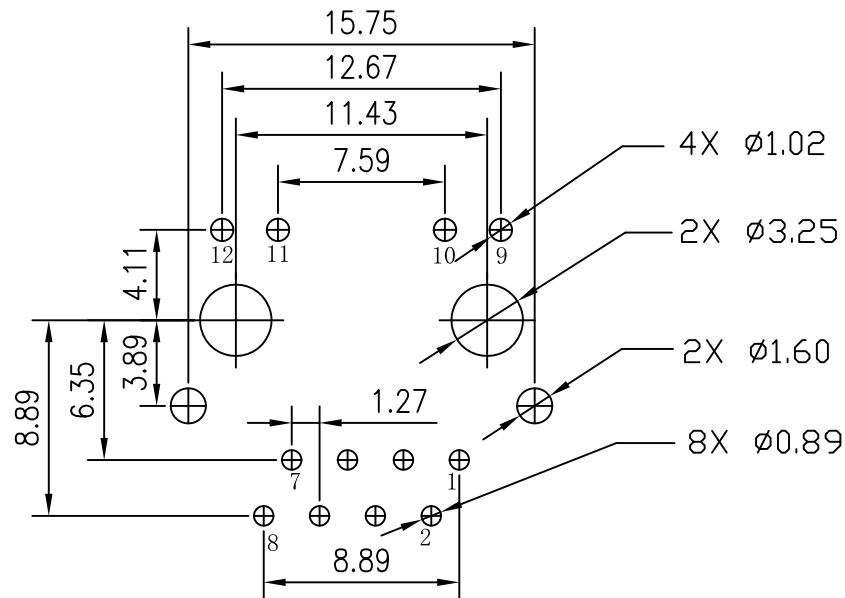
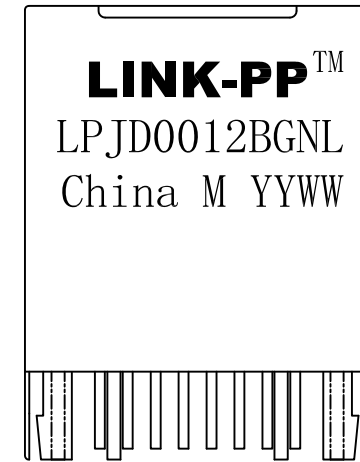
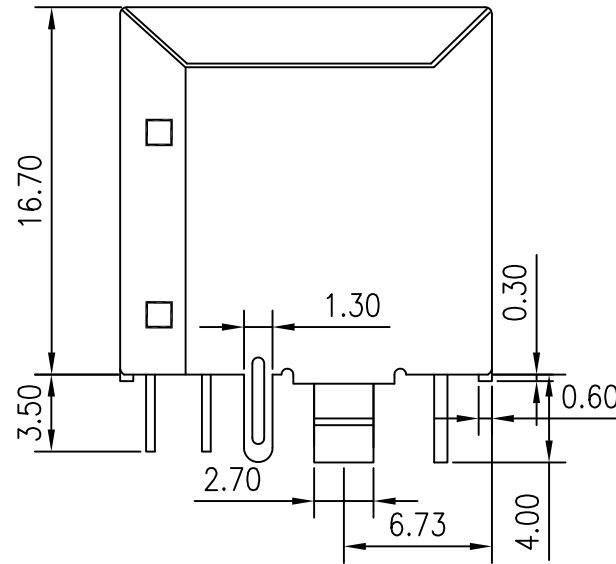
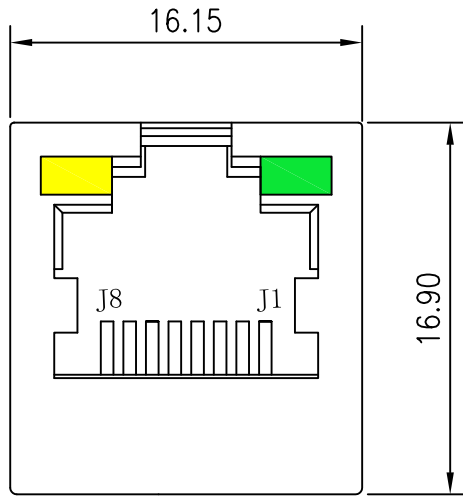
Emitting Color	λ p(nm)	VF@IF=20mA	IR @VR=5V
YELLOW	585	1.8~2.6V	10 μ A max
GREEN	565	1.8~2.6V	10 μ A max



X:X	±0.30	APPD:	LINK-PP INT'L TECHNOLOGY CO., LIMITED
X:XX	±0.25	CHKD:	
X:XXX	±0.05	DR: TOM	TITLE: Vertical RJ45 Connector With 10/100 Magnetic
ANGLES	±1°	UNIT: mm	PART NO.: LPJD0012BGNL
	SCALE: 3/1	SHEET: 1/2	REV: A DWG NO.: LP15052130

Mechanical:

REV.	ECN NO.	DESCRIPTION	DATE	APPD
A	REL		2015-05-21	



SUGGESTED PCB LAYOUT (TOP VIEW)

NOTES:

1. Meets IEEE 802.3 specification
2. Connector Materials:
 Housing: Thermoplastic UL94V-0
 Contact/Shield: Copper alloy
 Shield plating: Nickel
 Contact plating: Gold 6 micro-inches min. In contact area
3. Wave solder tip temperature: 265°C Max, 5 Sec Max
4. UL Certification: File Number E484635.



X:X	±0.30	APPD:	LINK-PP INT'L TECHNOLOGY CO., LIMITED
X:XX	±0.25	CHKD:	TITLE: Vertical RJ45 Connector With 10/100 Magnetic
X:XXX	±0.05	DR: TOM	PART NO.: LPJD0012BGNL
ANGLES	±1°	UNIT: mm	
	SCALE: 3/1	SHEET: 2/2	REV: A DWG NO.: LP15052130