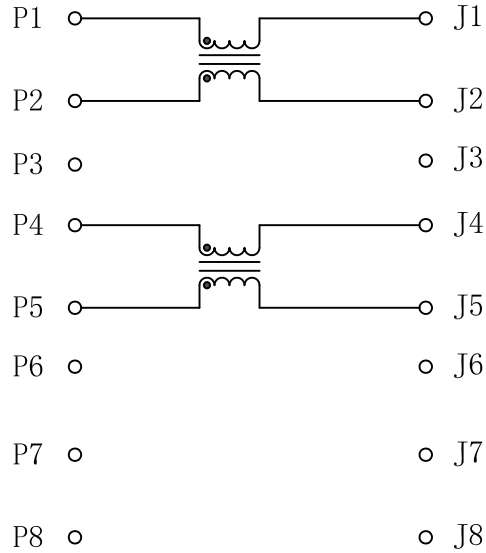


Schematic:

REV.	ECN NO.	DESCRIPTION	DATE	APPD
A	REL		2018/07/14	

PCB CONNECTIONS



RJ45 CONNECTOR

ELECTRICAL SPECIFICATIONS @25°C

1. INDUCTANCE:

$$P1-J1 = P2-J2; \quad P4-J4 = P5-J5:$$

65uH TYP @0.01V, 10KHz

2. DC RESISTANCE:

P1-J1: 0.5 ohm MAX

P2-J2: 0.5 ohm MAX

P4-J4: 0.5 ohm MAX

P5-J5: 0.5 ohm MAX

3. COMMON MODE:

-8dB TYPICAL -5dB MIN @1MHz

-17dB TYPICAL -15dB MIN @5MHz

-23dB TYPICAL -15dB MIN @20MHz

-25dB TYPICAL -20dB MIN @70MHz

-22dB TYPICAL -17dB MIN @200MHz

-11dB TYPICAL -6dB MIN @500MHz

4. HIPOT: 1500V_{rms} MIN

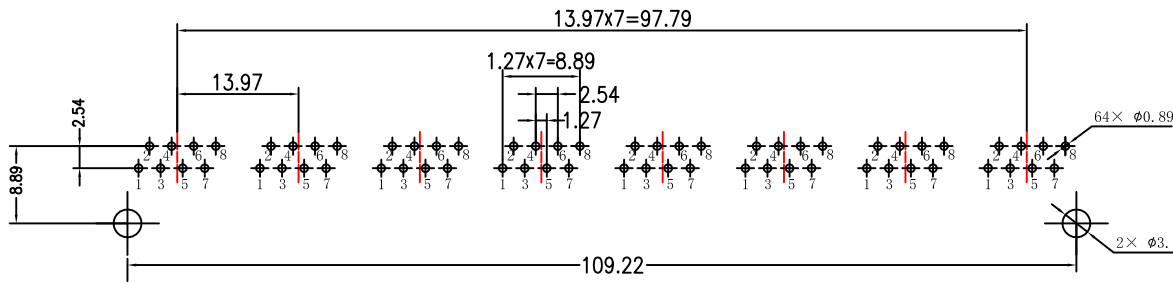
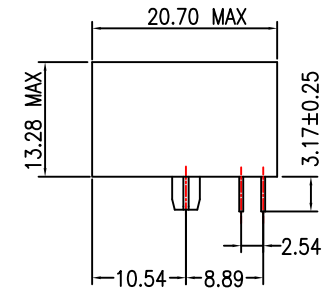
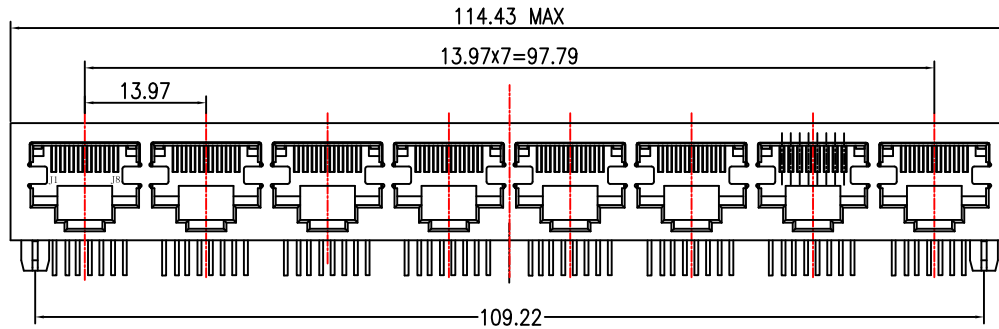
5. OPERATING TEMPERATURE: 0°C ~ 70°C.



X:X	±0.30	APPD:	LINK-PP INT'L TECHNOLOGY CO., LIMITED	
X:XX	±0.25	CHKD:	TITLE: RJ45 COMMON MODE CHOKE & 1×8 PORT	
X:XXX	±0.05	DR: TOM	PART NO.: LPJ86277NNL	
ANGLES	±1°	UNIT: mm		
	SCALE: 2/1	SHEET: 1/2	REV: A	DWG: LP18071403

Mechanical :

REV.	ECN NO.	DESCRIPTION	DATE	APPD
A	REL		2018/07/14	



SUGGESTED PCB LAYOUT (TOP VIEW)

NOTES:

1. Designed to support application, such as SOHO (ADSL modems), LAN-on-Motherboard (LOM), hub and Switches.
2. Meets IEEE 802.3 specification
3. Connector Materials:
Housing: Thermoplastic UL94V-0
Contact/Shield: Copper alloy
Contact plating: Gold 6 micro-inches min. In contact area.
4. Wave peak temperature: 260°C, 5Sec.
5. UL Certification: File Number E484635.



X:X	±0.30	APPD:	LINK-PP INT'L TECHNOLOGY CO., LIMITED
X:XX	±0.25	CHKD:	
X:XXX	±0.05	DR: TOM	TITLE: RJ45 COMMON MODE CHOKE & 1×8 PORT
ANGLES	±1°	UNIT: mm	PART NO. : LPJ86277NNL
	SCALE: 2/1	SHEET: 2/2	REV: A DWG: LP18071403