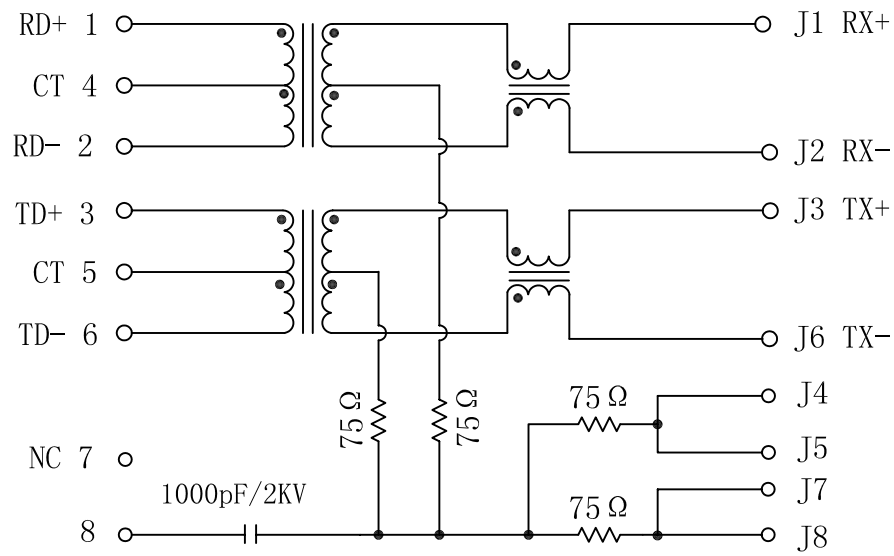


# Schematic:

REV.	ECN NO.	DESCRIPTION	DATE	APPD
A	REL		2010/09/02	

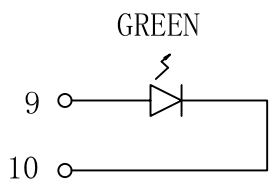
PCB CONNECTIONS



RJ45 CONNECTOR

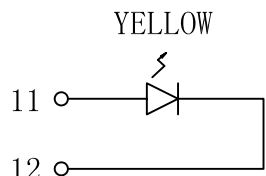
## Electrical Specification @25°C

- Turns Ratio ( $\pm 2\%$ ) :  
TX=1CT:1CT      RX=1CT:1CT
- OCL: 350uH Min  
@100KHz, 0.1V, 8mA DC Bias
- Insertion Loss:  
1~100MHz:-1.0dB MAX
- Return Loss(dB MIN @100Ω  $\pm 15\Omega$ ) :  
1~10MHz:-20      30MHz:-16  
60~80MHz:-12
- Crosstalk(dB MIN) :  
1~10MHz:-40      30~60MHz:-35  
60~100MHz:-30
- Common Mode Rejection(dB MIN) :  
1~50MHz:-30      50~130MHz:-20
- Hipot: 1500Vrms MIN @ 60Hz 1 minute
- Operating Temperature: -40°C ~+85°C.



LEFT LED

LED POLARITY		COLOR
PIN 9	PIN 10	
+	-	GREEN



RIGHT LED

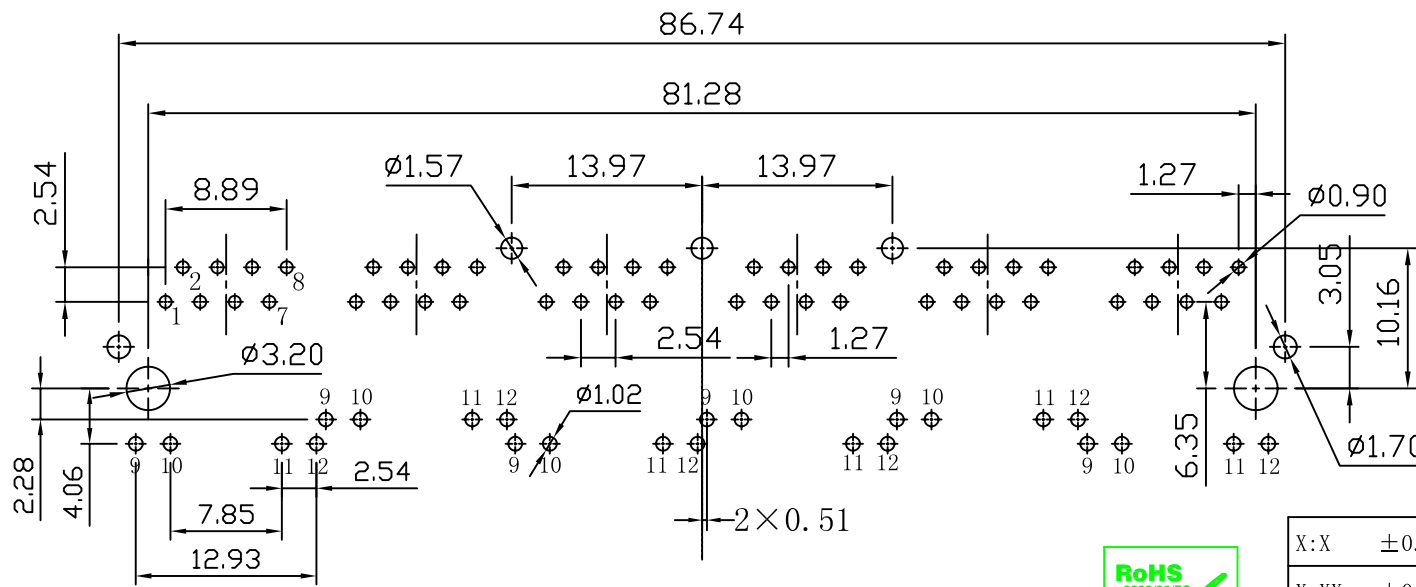
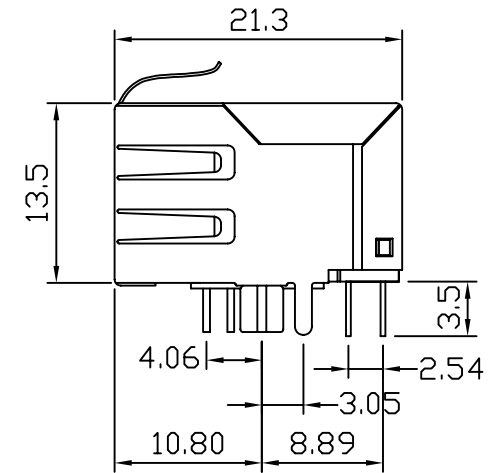
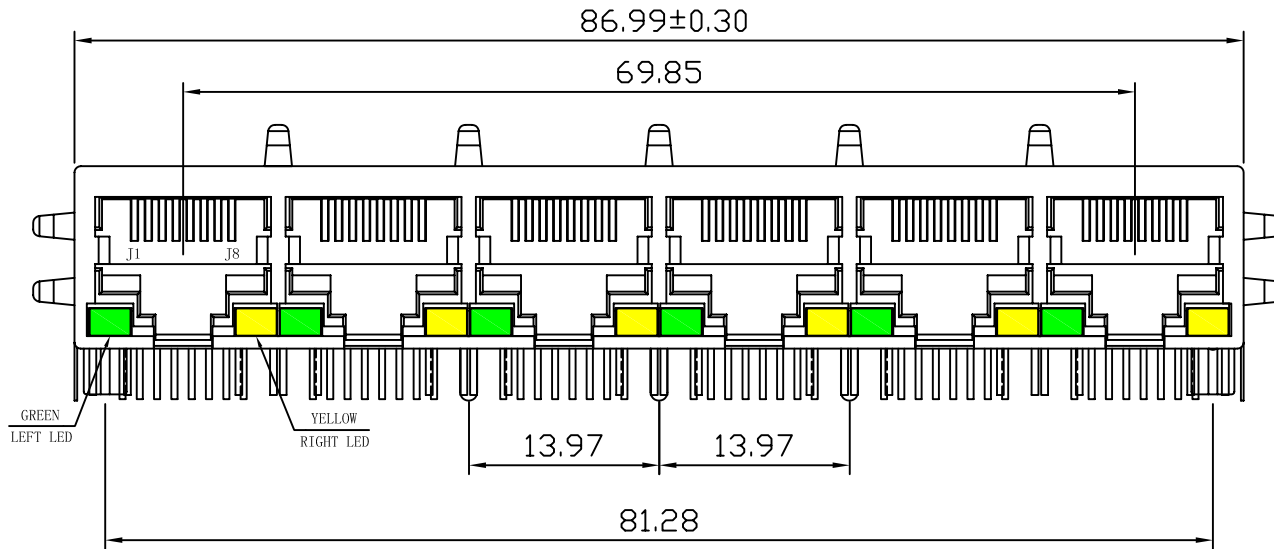
LED POLARITY		COLOR
PIN 11	PIN 12	
+	-	YELLOW



X:X	±0.25	APPD:	LINK-PP INT'L TECHNOLOGY CO., LIMITED
X:XX	±0.20	CHKD:	
X:XXX	±0.05	DR: TOM	
ANGLES ±1°		UNIT: mm	TITLE: RJ45 Connector With 10/100 Base-TX Integrated Magnetic
			PART NO. : LPJ66404AENL
	SCALE: 2/1	SHEET: 1/2	REV: A    DWG NO. : LP10090218

# Mechanical:

REV.	ECN NO.	DESCRIPTION	DATE	APPD
A	REL		2010/09/02	



SUGGESTED PCB LAYOUT(TOP VIEW)



## NOTES:

1. Designed to support application, such as SOHO(ADSL modems), LAN-on-Motherboard(LOM), hub and Switches.
2. Meets IEEE 802.3 specification
3. Connector Materials:  
Housing:Thermoplastic UL94V-0  
Contact/Shield: Copper alloy  
Shield plating: Nickel  
Contact plating: Gold 6 micro-inches min. In contact area.
4. Wave peak temperature: 260°C, 5Sec.

X:X ±0.25	APPD:	LINK-PP INT'L TECHNOLOGY CO., LIMITED
X:XX ±0.20	CHKD:	
X:XXX ±0.05	DR: TOM	TITLE: RJ45 Connector With 10/100 Base-TX Integrated Magnetic
ANGLES ±1°	UNIT: mm	PART NO. : LPJ66404AENL
	SCALE: 2/1	SHEET: 2/2
	REV: A	DWG NO. : LP10090218