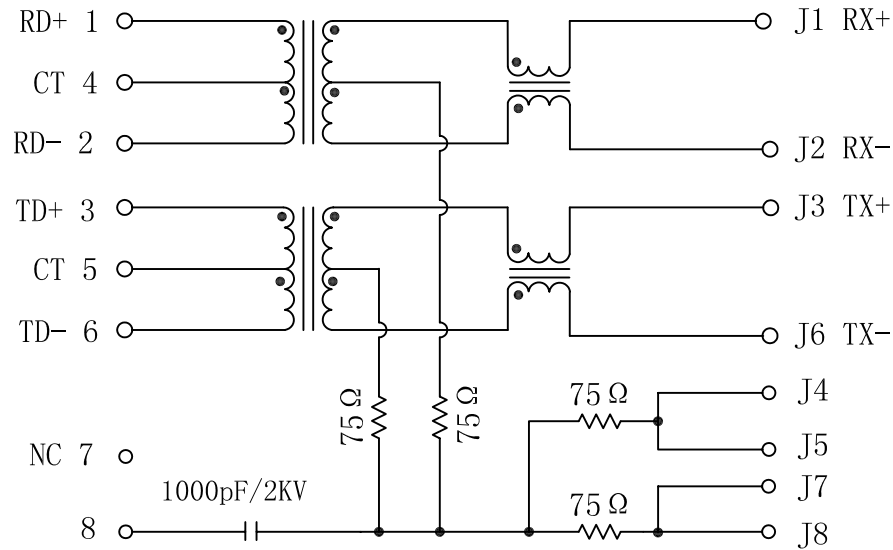


Schematic:

REV.	ECN NO.	DESCRIPTION	DATE	APPD
A	REL		2010/09/02	

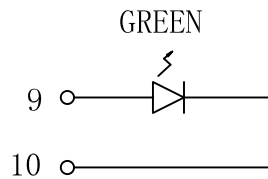
PCB CONNECTIONS



RJ45 CONNECTOR

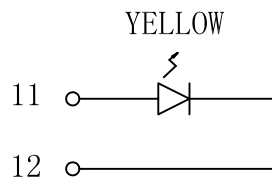
Electrical Specification @25°C

- Turns Ratio ($\pm 2\%$) :
TX=1CT:1CT RX=1CT:1CT
- OCL: 350uH Min
@100KHz, 0.1V, 8mA DC Bias
- Insertion Loss:
1~100MHz:-1.0dB MAX
- Return Loss(dB MIN @100 Ω $\pm 15 \Omega$) :
1~10MHz:-20 30MHz:-16
60~80MHz:-12
- Crosstalk(dB MIN) :
1~10MHz:-40 30~60MHz:-35
60~100MHz:-30
- Common Mode Rejection(dB MIN) :
1~50MHz:-30 50~130MHz:-20
- Hipot: 1500Vrms MIN @ 60Hz 1 minute
- Operating Temperature: -40°C~70°C.



LEFT LED

LED POLARITY		COLOR
PIN 9	PIN 10	
+	-	GREEN



RIGHT LED

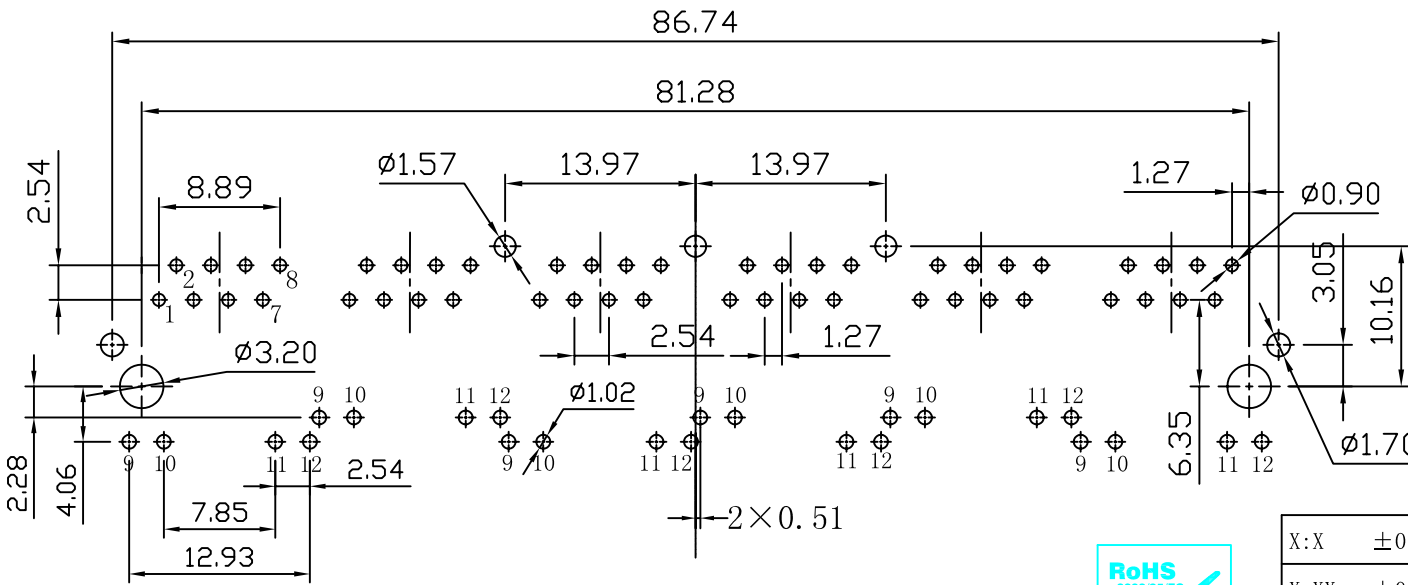
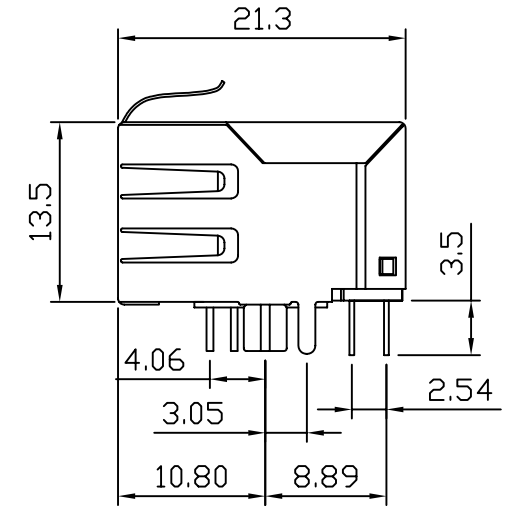
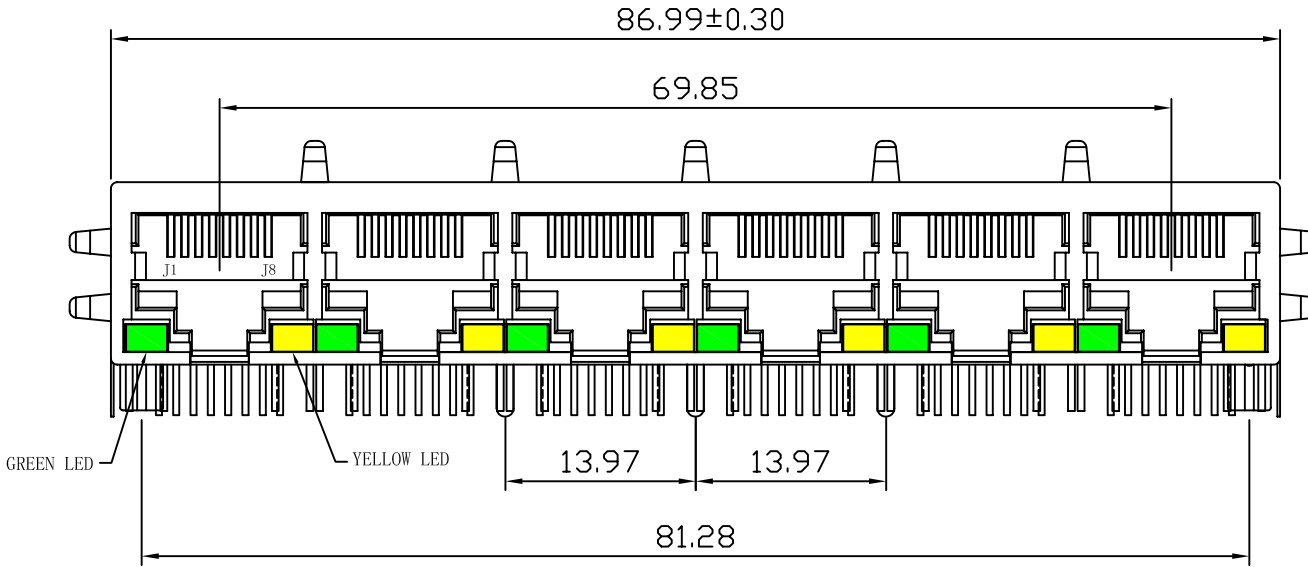
LED POLARITY		COLOR
PIN 11	PIN 12	
+	-	YELLOW



X:X	± 0.25	APPD:	LINK-PP INT'L TECHNOLOGY CO., LIMITED
X:XX	± 0.20	CHKD:	
X:XXX	± 0.05	DR: TOM	
ANGLES	$\pm 1^\circ$	UNIT: mm	PART NO.: LPJ66204AENL
	SCALE: 2/1	SHEET: 2/2	REV: A DWG NO.: LP10090206

Mechanical:

REV.	ECN NO.	DESCRIPTION	DATE	APPD
A	REL		2010/09/02	



SUGGESTED PCB LAYOUT (TOP VIEW)



NOTES:

1. Designed to support application, such as SOHO (ADSL modems), LAN-on-Motherboard (LOM), hub and Switches.
2. Meets IEEE 802.3 specification
3. Connector Materials:
Housing: Thermoplastic UL94V-0
Contact/Shield: Copper alloy
Shield plating: Nickel
Contact plating: Gold 6 micro-inches min. In contact area.
4. Wave peak temperature: 260°C, 5Sec.

X:X ±0.25	APPD:	LINK-PP INT'L TECHNOLOGY CO., LIMITED
X:XX ±0.20	CHKD:	
X:XXX ±0.05	DR: TOM	TITLE: RJ45 Connector With 10/100 Base-TX Integrated Magnetic
ANGLES ±1°	UNIT: mm	PART NO.: LPJ66204AENL
	SCALE: 2/1	SHEET: 1/2
	REV: A	DWG NO.: LP10090206