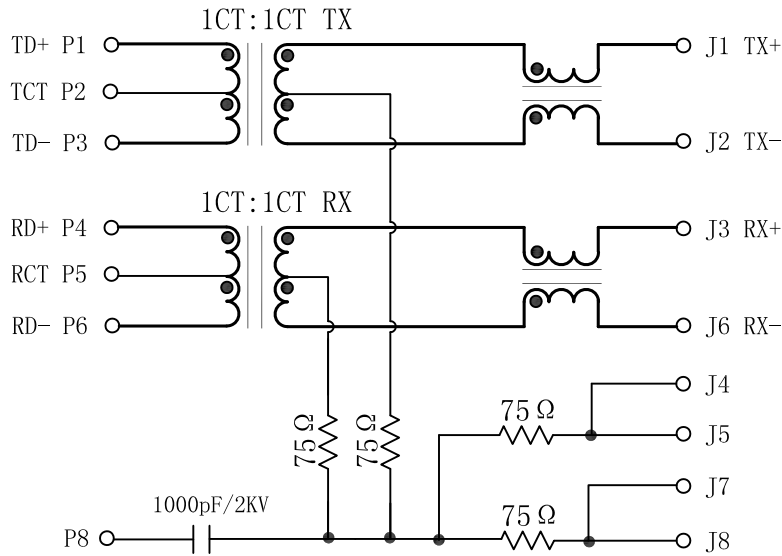


# Schematic:

REV.	ECN NO.	DESCRIPTION	DATE	APPD
A	REL		2020/12/11	

PC BOARD CONNECTIONS



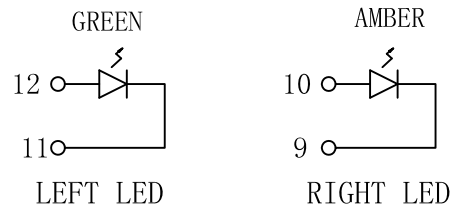
RJ45 CONNECTOR

## Electrical Specifications @25°C

- Turns Ratio(@100KHz, 100mV):  
TX = 1CT : 1CT ± 3%  
RX = 1CT : 1CT ± 3%
- Inductance: 350uH Min  
@100KHz, 0.1V, 18.3mA DC BIAS
- Insertion Loss(dB Max):  
1-65MHz: -1.0
- Return Loss(dB Min):  
1-10MHz: -20                      10-30MHz: -16  
30-60MHz: -12                     60-100MHz: -10
- Crosstalk(dB Min):  
1-30MHz: -40                        30-60MHz: -35  
60-100MHz: -30
- Common to Common Mode Rejection(dB Min):  
1-50MHz: -30                        50-150MHz: -20
- Hipot: 1500Vrms.
- Operating Temperature: -40°C ~ +85°C.



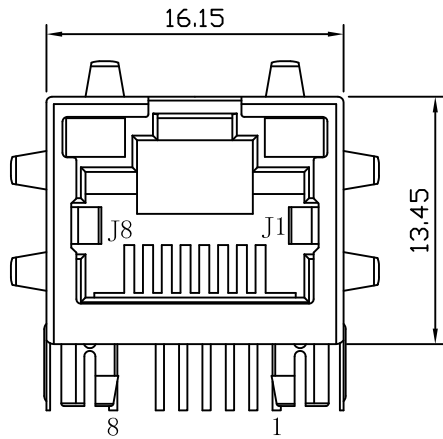
Emitting Color	$\lambda_p$ (nm)	V <sub>F</sub> @I <sub>F</sub> =20mA	I <sub>R</sub> @V <sub>R</sub> =5V
GREEN	565	1.8~2.6V	10 μA max
AMBER	588.7	1.8~2.6V	10 μA max



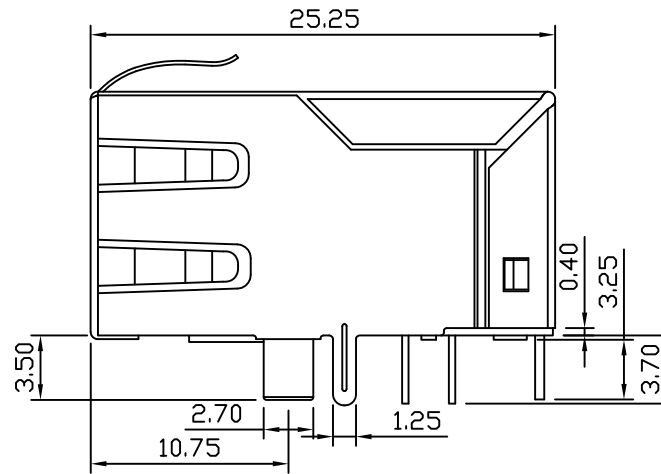
X:X ±0.30	APPD:	LINK-PP INT'L TECHNOLOGY CO., LIMITED	
X:XX ±0.25	CHKD:	TITLE: RJ45 Connector with 10/100 Base-T Integrated Magnetics	
X:XXX ±0.05	DR: TOM	PART NO.: LPJ6014A175NL	
ANGLES ±1°	UNIT: mm	DWG NO.: LP20121101	
	SCALE: 2/1	SHEET: 1/2	REV: A

# Mechanical:

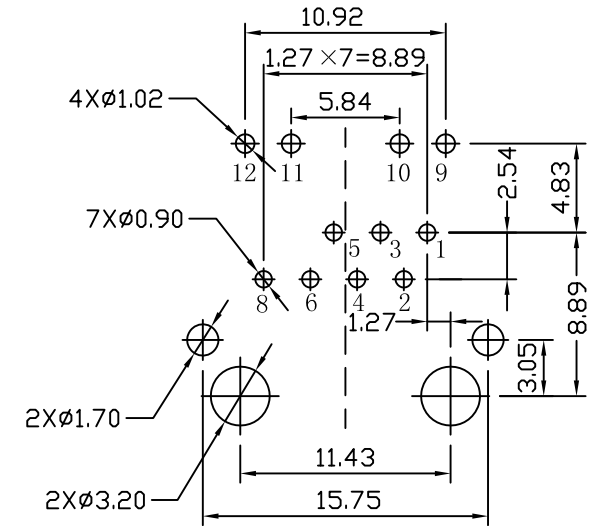
REV.	ECN NO.	DESCRIPTION	DATE	APPD
A	REL		2020/12/11	



Front Side View



Left Side View

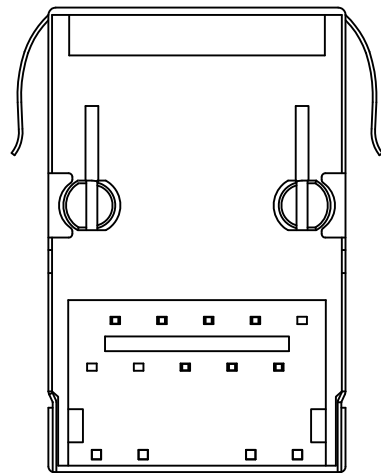


Suggested PCB Layout (Top View)



## NOTES:

1. Designed to support application, such as SOHO (ADSL modems), LAN-on-Motherboard (LOM), hub and Switches.
2. Meets IEEE 802.3 specification
3. Connector Materials:  
 Housing: Thermoplastic PBT+30%G.F UL94V-0  
 Contact: Phosphor Bronze C5210R-EH Thickness=0.35mm  
 Pins: Brass C2680R-H Thickness=0.35mm  
 Shield: SUS 201-1/2H Thickness=0.2mm  
 Contact plating: Gold 6 micro-inches min. In contact area.
4. Wave solder tip temperature: 265°C Max, 5 Sec.
5. UL Certification: File Number E484635.



Bottom Side View



Top Side View

X:X ±0.30	APPD:	LINK-PP INT'L TECHNOLOGY CO., LIMITED
X:XX ±0.25	CHKD:	
X:XXX ±0.05	DR: TOM	TITLE: RJ45 Connector with 10/100 Base-T Integrated Magnetics
ANGLES ±1°	UNIT: mm	PART NO.: LPJ6014A175NL
	SCALE: 2/1	SHEET: 2/2
	REV: A	DWG NO.: LP10092523