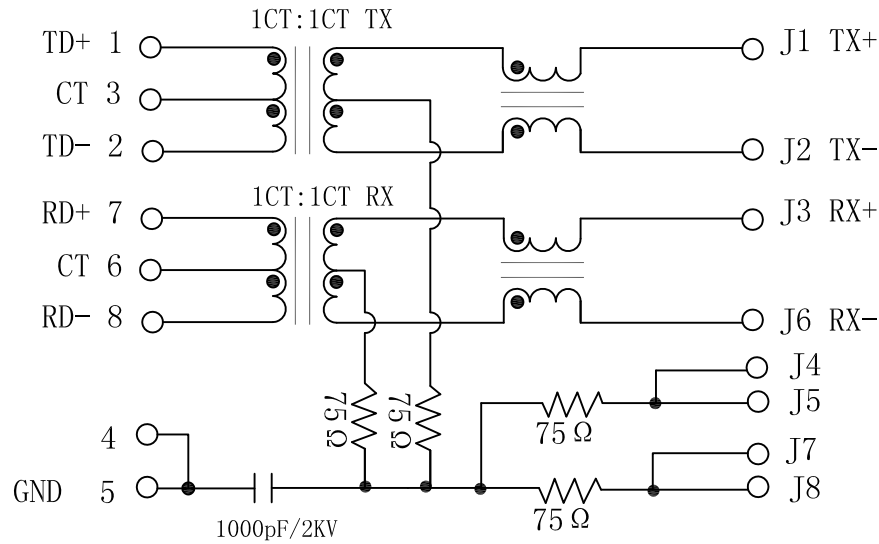


Schematic:

REV.	ECN NO.	DESCRIPTION	DATE	APPD
A	REL		2010/10/08	

PC BOARD CONNECTIONS



RJ45 CONNECTOR

Electrical Specification:

TEST NOTES (25±5°C)

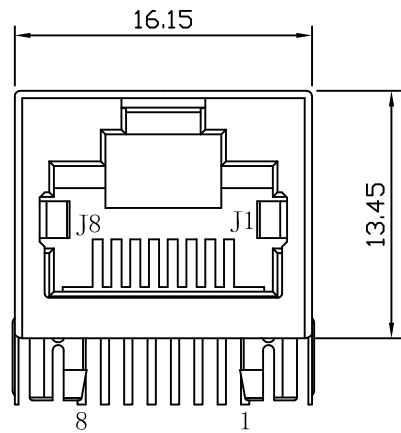
- TR: (100KHz, 0.1V);
TX=1CT:1CT ±3% RX=1CT:1CT ±3%
- OCL: (100KHz, 100mV, 8mA, DC Bias)
PINS: (P1, P2), (P7, P8)=350uH MIN
- HIPOT:
PINS (P1, P3, P2) TO (J1, J2)=1500VAC FOR 60 SECONDS
PINS (P7, P6, P8) TO (J3, J6)=1500VAC FOR 60 SECONDS
- INSERTION LOSS:
-1.0dB MAX @ 0.3MHz TO 100MHz
- RETURN LOSS:
-20dB MIN @ 1MHz TO 10MHz
-16dB MIN @ 10MHz TO 30MHz
-12dB MIN @ 30MHz TO 60MHz
-10dB MIN @ 60MHz TO 100MHz
- CROSS TALK:
-40dB MIN @ 1MHz TO 30MHz
-35dB MIN @ 30MHz TO 60MHz
-30dB MIN @ 60MHz TO 100MHz
- COMMON TO COMMON MODE REJECTION:
-30dB MIN @ 1MHz TO 50MHz
-20dB MIN @ 50MHz TO 150MHz
- OPERATING TEMPERATURE: -40°C ~ +85°C.



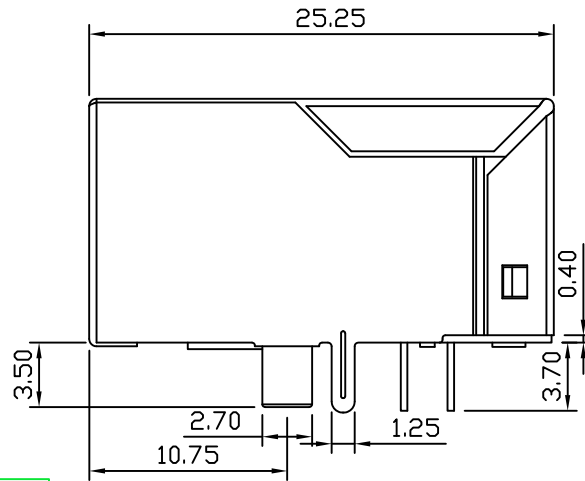
X:X	±0.30	APPD:	LINK-PP INT'L TECHNOLOGY CO., LIMITED	
X:XX	±0.25	CHKD:	TITLE: RJ45 Connector with 10/100 Base-T Integrated Magnetics	
X:XXX	±0.05	DR: TOM		
ANGLES	±1°	UNIT: mm	PART NO.: LPJ6011DNL	
	SCALE: 2/1	SHEET: 1/2	REV: A	DWG NO.: LP10100819

Mechanical:

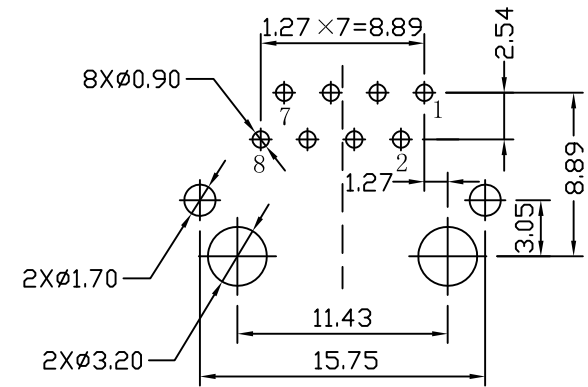
REV.	ECN NO.	DESCRIPTION	DATE	APPD
A	REL		2010/10/08	



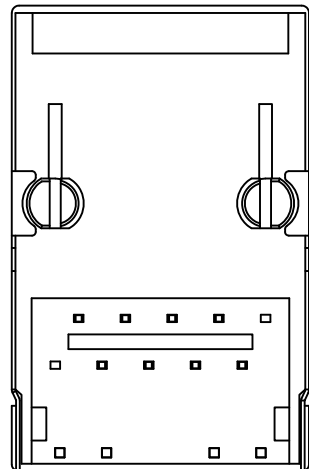
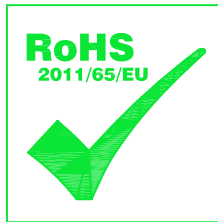
Front Side View



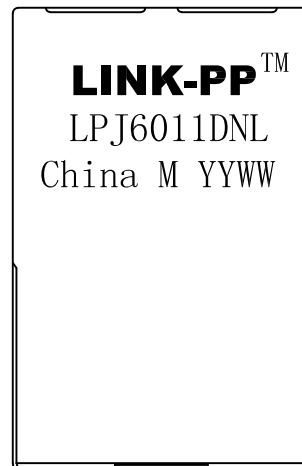
Left Side View



Suggested PCB Layout (Top View)



Bottom Side View



Top Side View

NOTES:

1. Designed to support application, such as SOHO (ADSL modems), LAN-on-Motherboard (LOM), hub and Switches.
2. Meets IEEE 802.3 specification
3. Connector Materials:
 Housing: Thermoplastic PBT+30%G.F UL94V-0
 Contact: Phosphor Bronze C5210R-EH Thickness=0.35mm
 Pins: Brass C2680R-H Thickness=0.35mm
 Shield: SUS 201-1/2H Thickness=0.2mm
 Contact plating: Gold 6 micro-inches min. In contact area.
4. Wave solder tip temperature: 265°C Max, 5 Sec Max.

X:X ±0.30	APPD:	LINK-PP INT'L TECHNOLOGY CO., LIMITED		
X:XX ±0.25	CHKD:	TITLE: RJ45 Connector with 10/100 Base-T Integrated Magnetics		
X:XXX ±0.05	DR: TOM	PART NO.: LPJ6011DNL		
ANGLES ±1°	UNIT: mm			
	SCALE: 2/1	SHEET: 2/2	REV: A	DWG NO.: LP10100819