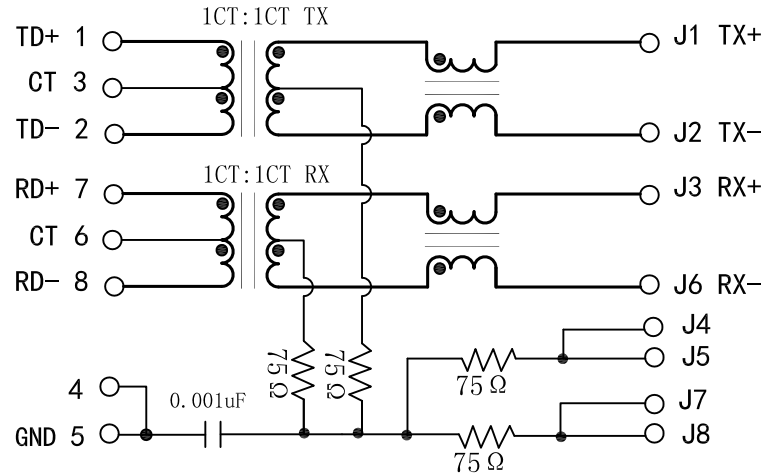


# Schematic:

REV.	ECN NO.	DESCRIPTION	DATE	APPD
A	REL		2010-04-15	

PC BOARD CONNECTIONS

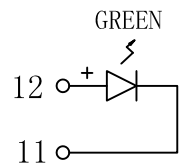


RJ45 CONNECTOR

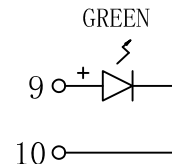
## Electrical Specification:

TEST NOTES (25 ± 5°C)

- TR: (@100KHz, 0.1V);  
TX=1CT:1CT ±3%    RX=1CT:1CT ±3%
- OCL (@100KHz, 100mV, 8mA, DC Bias):  
PINS: (P1, P2), (P7, P8)=350uH MIN
- HIPOT:  
PINS (P1, P3, P2) TO (J1, J2)=1500VAC FOR 60 SECONDS  
PINS (P7, P6, P8) TO (J3, J6)=1500VAC FOR 60 SECONDS
- INSERTION LOSS:  
-1.0dB MAX @1.0MHz TO 65MHz
- RETURN LOSS:  
-20dB MIN @1MHz TO 10MHz  
-16dB MIN @10MHz TO 30MHz  
-12dB MIN @30MHz TO 60MHz  
-10dB MIN @ 0MHz TO 100MHz
- CROSS TALK:  
-40dB MIN @1MHz TO 30MHz  
-35dB MIN @30MHz TO 60MHz  
-30dB MIN @60MHz TO 100MHz
- COMMON TO COMMON MODE REJECTION:  
-30dB MIN @1MHz TO 50MHz  
-20dB MIN @50MHz TO 150MHz
- OPERATING TEMPERATURE: -40°C ~ +85°C.



LEFT LED



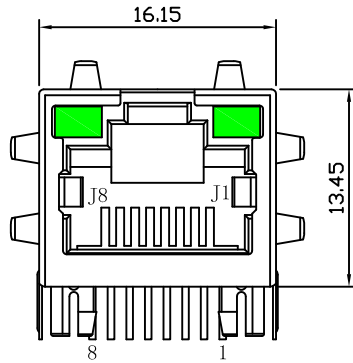
RIGHT LED

Emitting Color	λ p(nm)	VF@IF=20mA	IR @VR=5V
GREEN	565	1.8~2.6V	10 μ A max

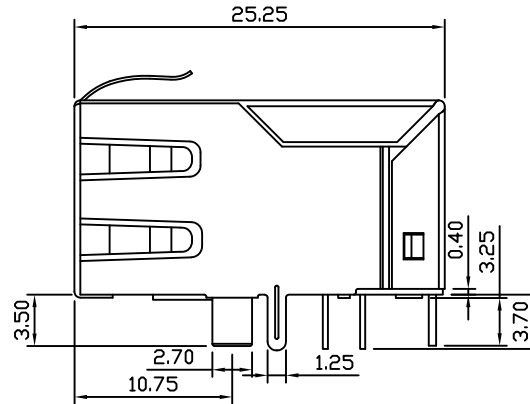
X:X	±0.30	APPD:	LINK-PP INT'L TECHNOLOGY CO., LIMITED	
X:XX	±0.25	CHKD:	TITLE: RJ45 Connector with 10/100 Base-T Integrated Magnetics	
X:XXX	±0.05	DR: TOM	PART NO.: LPJ6011ACNL	
ANGLES	±1°	UNIT: mm	DWG NO.: LP10041510	
	SCALE: 2/1	SHEET: 1/2	REV: A	

# Mechanical:

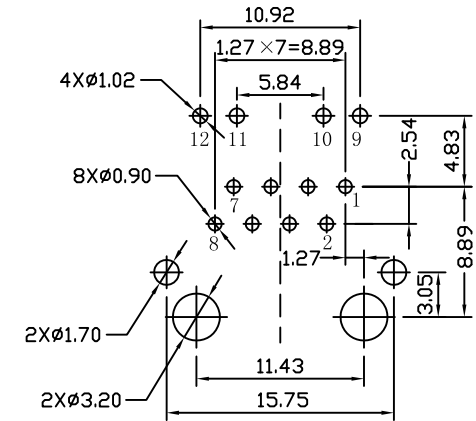
REV.	ECN NO.	DESCRIPTION	DATE	APPD
A	REL		2010-04-15	



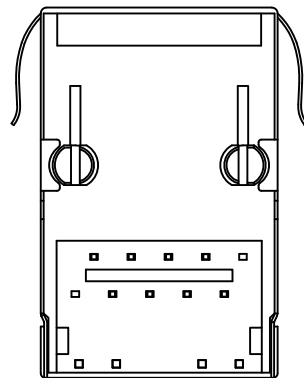
Front Side View



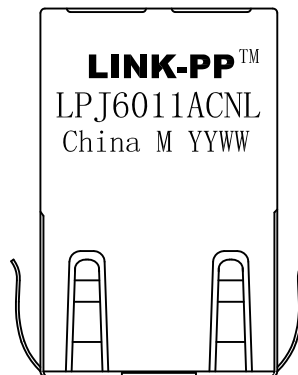
Left Side View



Suggested PCB Layout (Top View)



Bottom Side View



Top Side View

## NOTES:

1. Designed to support application, such as SOHO (ADSL modems), LAN-on-Motherboard (LOM), hub and Switches.
2. Meets IEEE 802.3 specification
3. Connector Materials:  
 Housing: Thermoplastic PBT+30%G.F UL94V-0  
 Contact: Phosphor Bronze C5210R-EH Thickness=0.35mm  
 Pins: Brass C2680R-H Thickness=0.35mm  
 Shield: SUS 201-1/2H Thickness=0.2mm  
 Contact plating: Gold 6 micro-inches min. In contact area.
4. Wave solder tip temperature: 265°C Max, 5 Sec Max

X:X	±0.30	APPD:	LINK-PP INT'L TECHNOLOGY CO., LIMITED	
X:XX	±0.25	CHKD:	TITLE: RJ45 Connector with 10/100 Base-T Integrated Magnetics	
X:XXX	±0.05	DR: TOM	PART NO.: LPJ6011ACNL	
ANGLES	±1°	UNIT: mm	DWG NO.: LP10041510	
	SCALE: 2/1	SHEET: 2/2	REV: A	