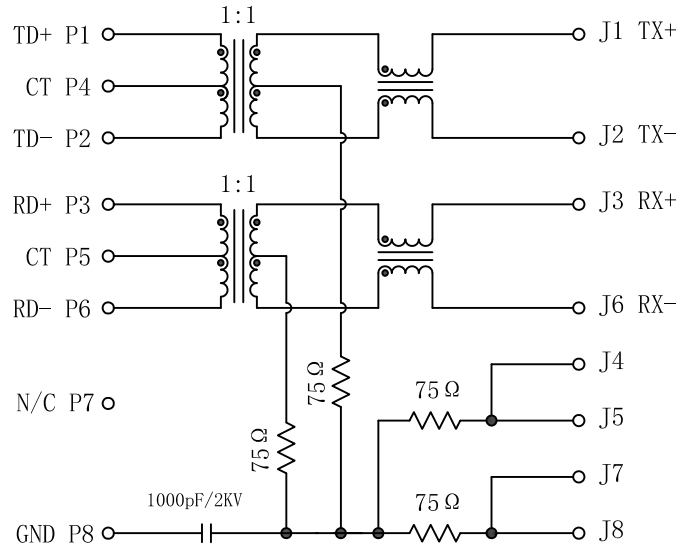


# Schematic:

REV.	ECN NO.	DESCRIPTION	DATE	APPD
A	REL		2010-04-15	

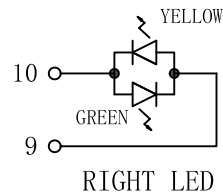
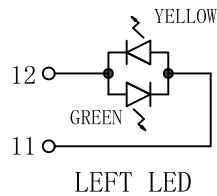
PC BOARD CONNECTIONS



RJ45 CONNECTOR

## ELECTRICAL SPECIFICATIONS @25°C

- Turn Ratio ( $\pm 3\%$ ):  
 (P1-P2) : (J1-J2) = 1CT:1CT  
 (P3-P6) : (J3-J6) = 1CT:1CT
- OCL (@100KHz, 0.1Vrms, 8mA) :  
 (P1-P2, P3-P6) : 350uH MIN
- Insertion Loss:  
 -1.1dB MAX @0.1-100MHz
- Return Loss:  
 -18dB MIN @0.5-30MHz  
 -15.5dB MIN @40MHz  
 -13.6dB MIN @50MHz  
 -12dB MIN @60-80MHz
- Cross talk:  
 -40dB TYP @1-100MHz
- Common Mode Rejection:  
 -50dB TYP @0.1-30MHz  
 -40dB TYP @30-60MHz  
 -35dB TYP @60-100MHz
- Isolation: 1500Vrms
- Operating Temperature: -40°C TO +85°C.

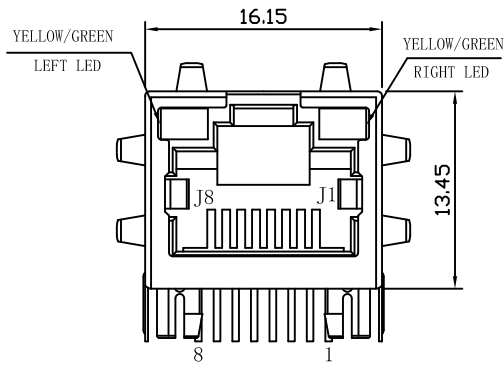


Emitting Color	$\lambda$ p(nm)	VF@IF=20mA	IR @VR=5V
GREEN	565	1.8~2.6V	10 $\mu$ A max
YELLOW	585	1.8~2.6V	10 $\mu$ A max

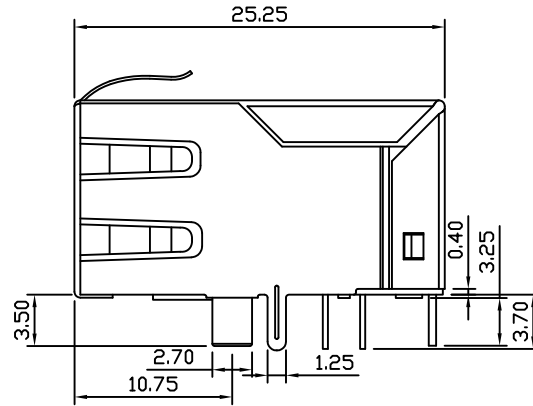
X:X	$\pm 0.30$	APPD:	LINK-PP INT'L TECHNOLOGY CO., LIMITED	
X:XX	$\pm 0.25$	CHKD:	TITLE: RJ45 Connector with 10/100 Base-T Integrated Magnetics	
X:XXX	$\pm 0.05$	DR: TOM	PART NO.: LPJ6004A47NL	
ANGLES	$\pm 1^\circ$	UNIT: mm	DWG NO.: LP10041516	
	SCALE: 2/1	SHEET: 1/2	REV: A	

# Mechanical:

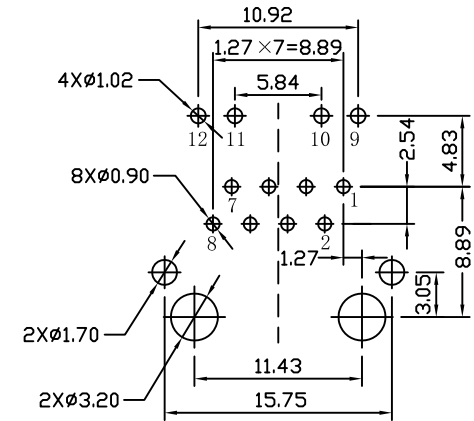
REV.	ECN NO.	DESCRIPTION	DATE	APPD
A	REL		2010-04-15	



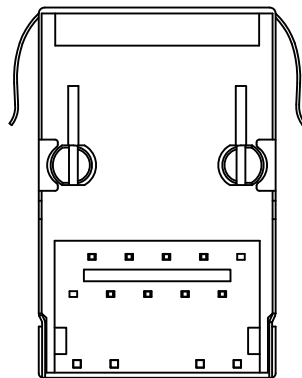
Front Side View



Left Side View



Suggested PCB Layout (Top View)



Bottom Side View



Top Side View

## NOTES:

1. Designed to support application, such as SOHO (ADSL modems), LAN-on-Motherboard (LOM), hub and Switches.
2. Meets IEEE 802.3 specification
3. Connector Materials:  
 Housing: Thermoplastic PBT+30%G.F UL94V-0  
 Contact: Phosphor Bronze C5210R-EH Thickness=0.35mm  
 Pins: Brass C2680R-H Thickness=0.35mm  
 Shield: SUS 201-1/2H Thickness=0.2mm  
 Contact plating: Gold 6 micro-inches min. In contact area.
4. Wave solder tip temperature: 265°C Max, 5 Sec Max

X:X	±0.30	APPD:	LINK-PP INT'L TECHNOLOGY CO., LIMITED	
X:XX	±0.25	CHKD:	TITLE: RJ45 Connector with 10/100 Base-T Integrated Magnetics	
X:XXX	±0.05	DR: TOM	PART NO.: LPJ6004A47NL	
ANGLES	±1°	UNIT: mm	DWG NO.: LP10041516	
		SCALE: 2/1	SHEET: 2/2	REV: A