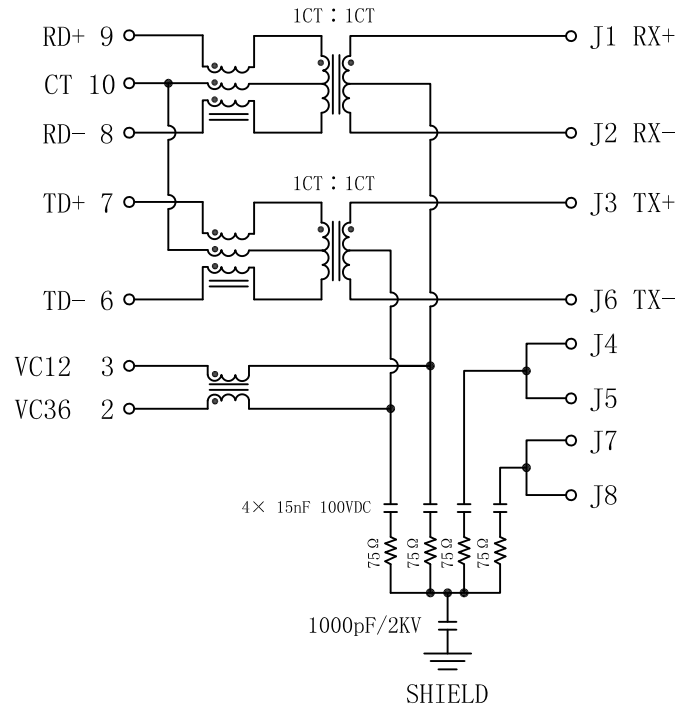


Schematic:

REV.	ECN NO.	DESCRIPTION	DATE	APPD
A	REL		2015-4-21	

PCB CONNECTIONS



RJ45 CONNECTOR

Electrical Specifications @25°C

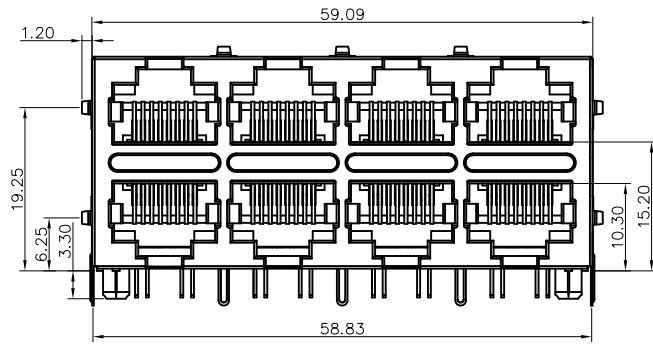
1. OCL: 350uH Min  
@100KHz, 100mVrms, 8mA DC Bias
2. Turns Ratio:  
TX = 1CT : 1CT ±2%  
RX = 1CT : 1CT ±2%
3. Insertion Loss:  
0.1~100MHz: -1.5dB Max
4. Return Loss(dB Min):  
2~30MHz: -16  
60~80MHz: -10
5. Crosstalk:  
0.1~100MHz: -30dB Min
6. Balanced DC Line Current:  
350mA Max. @57VDC Continuous  
500A Max. @57VDC for 200 Milliseconds
7. Hi-Pot: 1500Vrms @60Hz
8. Operating Temperature: 0°C ~70°C.



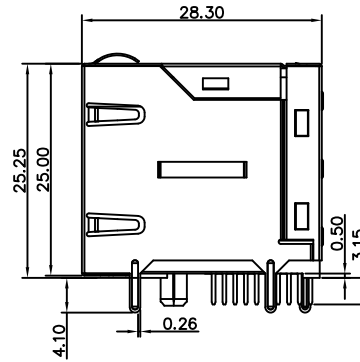
X:X ±0.30	APPD:	LINK-PP INT'L TECHNOLOGY CO., LIMITED		
X:XX ±0.25	CHKD:	TITLE: 2*4 RJ45 Connector with 10/100 Base-T Integrated Magnetics For PoE Application		
X:XXX ±0.05	DR: TOM	PART NO.: LPJ47498CNL		
ANGLES ±1°	UNIT: mm			
	SCALE: 2/1	SHEET: 1/2	REV: A	DWG NO.: LP15091802

# Mechanical:

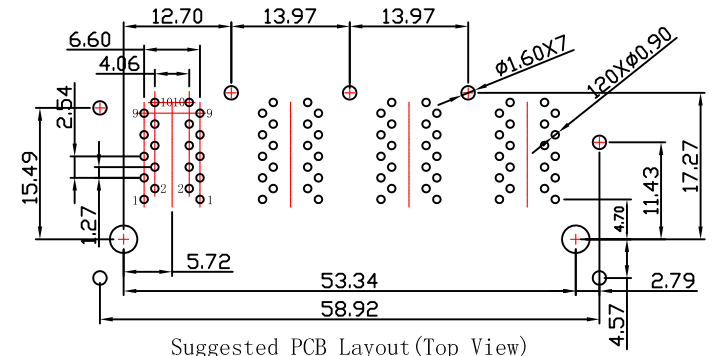
REV.	ECN NO.	DESCRIPTION	DATE	APPD
A	REL		2015-4-21	



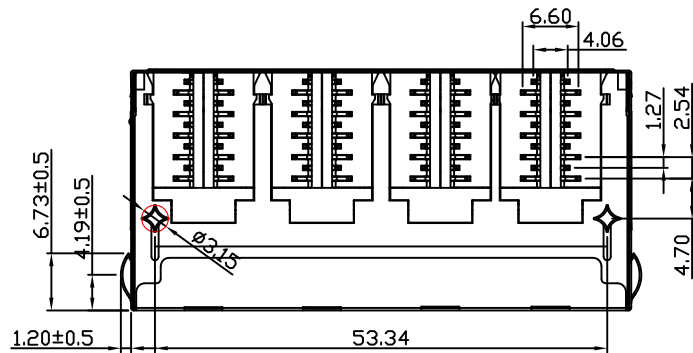
Front Side View



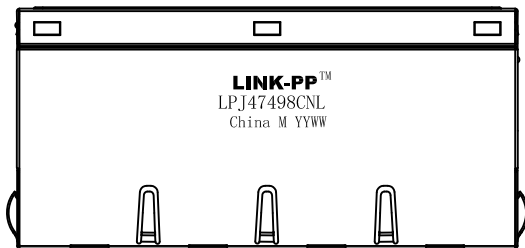
Left Side View



Suggested PCB Layout (Top View)



Bottom Side View



Top Side View



## NOTES:

- Meets IEEE 802.3 specification
- Connector Materials:  
 Housing Material: Thermoplastic PBT+30%G.F UL94V-0  
 Contact Material: Phosphor Bronze C5210R-EH Thickness=0.35mm  
 Pins: Brass C2680R-H Thickness=0.35mm  
 Shield: Copper alloy Brass H65Y Thickness=0.20mm  
 Shield plating: Nickel  
 Contact plating: Gold 6 micro-inches min. In contact area.
- Wave solder tip temperature: 265°C Max, 5 Sec Max

X:X	±0.30	APPD:	LINK-PP INT'L TECHNOLOGY CO., LIMITED	
X:XX	±0.25	CHKD:	TITLE: 2*4 RJ45 Connector with 10/100 Base-T Integrated Magnetics For PoE Application	
X:XXX	±0.05	DR: TOM	PART NO.: LPJ47498CNL	
ANGLES	±1°	UNIT: mm	DWG NO.: LP15091802	
	SCALE: 2/1	SHEET: 2/2	REV: A	