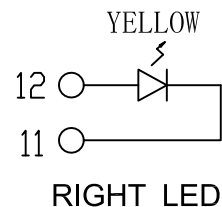
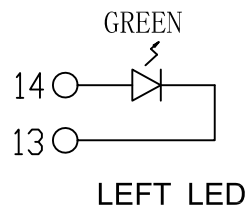
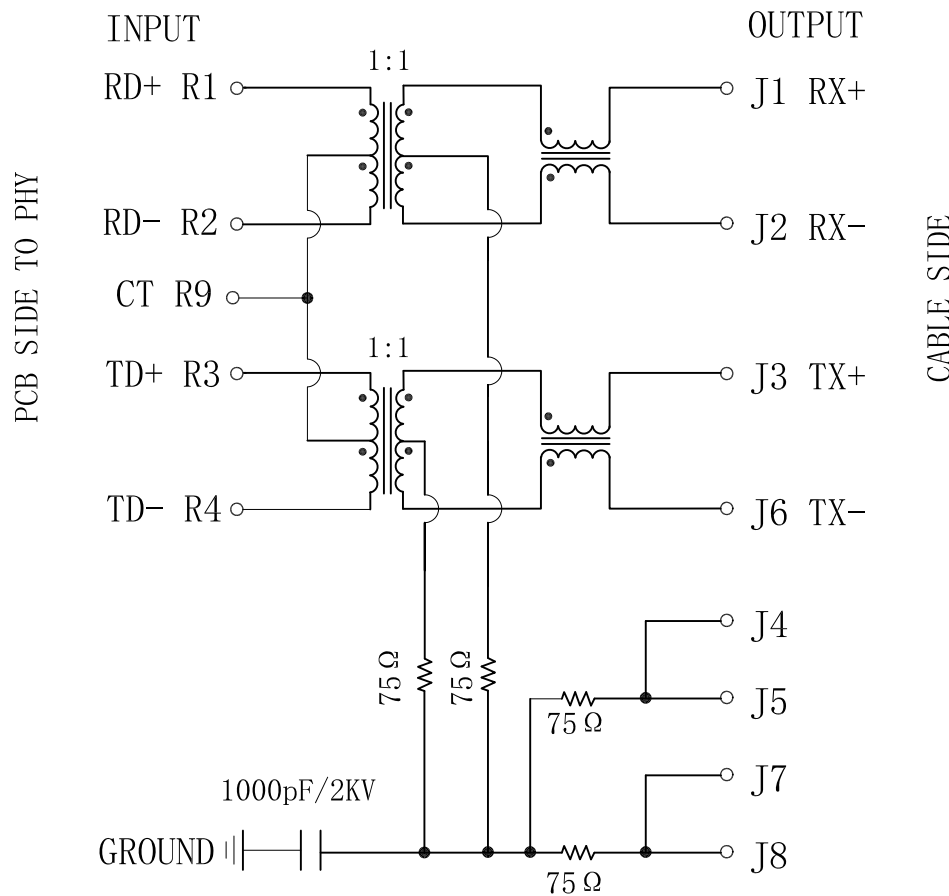


# Schematic:

REV.	ECN NO.	DESCRIPTION	DATE	APPD
A	REL		24/12/2008	



## Electrical Specifications:

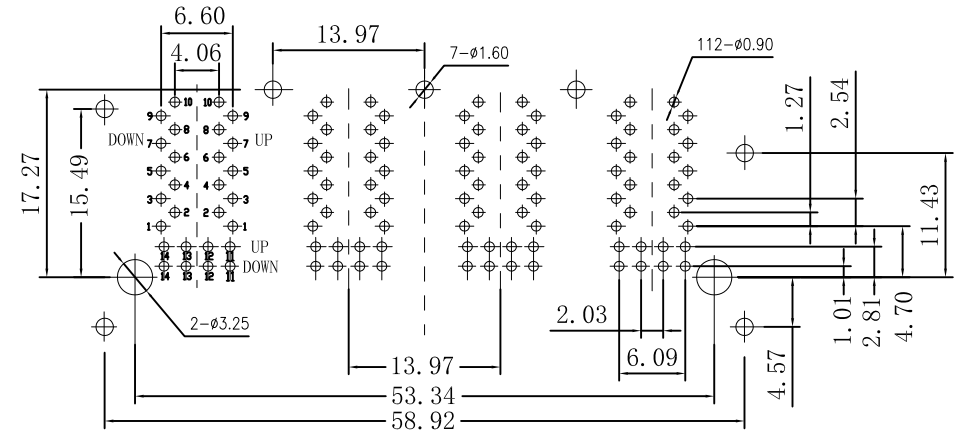
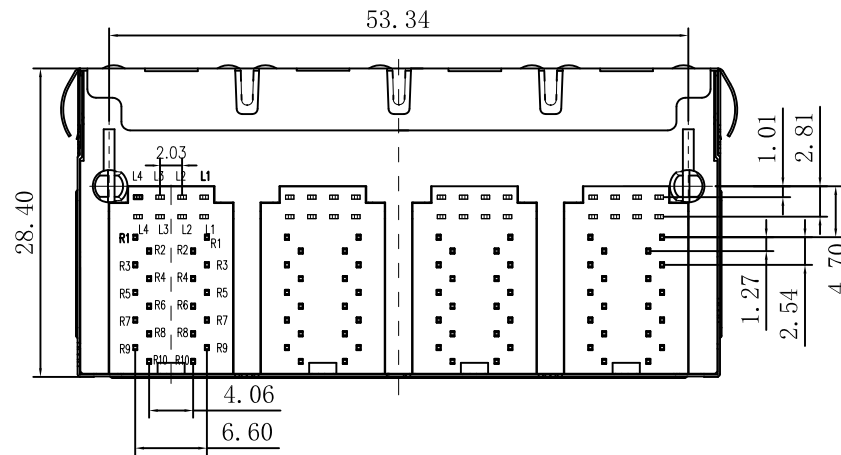
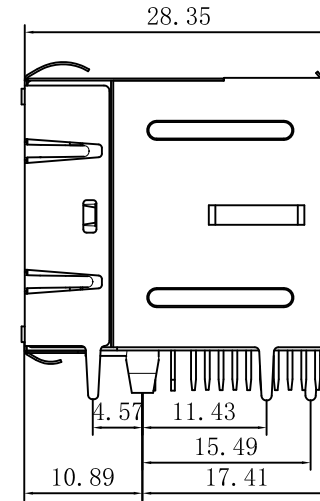
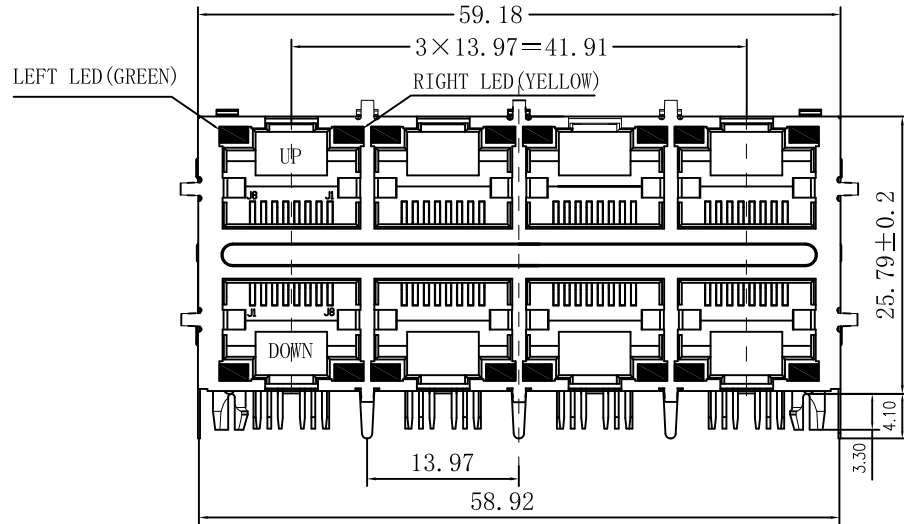
- Transmitter filter & Receiver filter  
Type: Balance low pass 100Ω impedance  
Insertion Loss:  
1-100MHz: -1.0dB MAX  
Return Loss:  
1-30MHz: -18dB MIN. load 100Ω  
30-60MHz: -16dB MIN. load 100Ω  
60-80MHz: -12dB MIN. load 100Ω
- Turns Ratio: TX=1:1 RX=1:1
- Inductance @ 100KHz, 0.1V, 8mA DC BIAS  
Input (R1-R2), Input (R3-R4): 350uH MIN
- Crosstalk: 1-100MHz: -30dB MIN
- Common Mode Rejection: 1-100MHz: -30dB MIN
- Hipot:  
Input (R1-R2) to Output (J1-J2): 1500VAC, 60sec  
Input (R3-R4) to Output (J3-J6): 1500VAC, 60sec  
Output (J1-J2), Output (J3-J6) to Shell: 2500VAC, 5sec.
- Operating temperature: -40°C to +85°C.

Emitting Color	λ p(nm)	VF@IF=20mA	IR @VR=5V
GREEN	565	1.8~2.6V	10 μ A max
YELLOW	585	1.8~2.6V	10 μ A max

X:X	±0.30	APPD:	LINK-PP INT'L TECHNOLOGY CO., LIMITED
X:XX	±0.25	CHKD:	
X:XXX	±0.05	DR: TOM	TITLE: RJ45 . Transformer. 10/100 Base-T W/LED. 2×4
ANGLES	±1°	UNIT: mm	PART NO.: LPJ47408AHNL
	SCALE: 2/1	SHEET: 1/2	REV: A DWG NO.: LP08122405

# Mechanical :

REV.	ECN NO.	DESCRIPTION	DATE	APPD
A	REL		24/12/2008	



SUGGESTED PCB LAYOUT (TOP VIEW)

**NOTES:**

1. Designed to support application, such as SOHO (ADSL modems), LAN-on-Motherboard (LOM), hub and Switches.
2. Meets IEEE 802.3 specification
3. Connector Materials:  
 Housing: Thermoplastic UL94V-0  
 Contact/Shield: Copper alloy  
 Shield plating: Nickel  
 Contact plating: Gold 6 micro-inches min. In contact area.
4. Wave solder tip temperature: 265°C Max, 5 Sec Max.



X:X	±0.30	APPD:	LINK-PP INT'L TECHNOLOGY CO., LIMITED
X:XX	±0.25	CHKD:	
X:XXX	±0.05	DR: TOM	TITLE: RJ45 .Transformer. 10/100 Base-T W/LED. 2×4
ANGLES	±1°	UNIT: mm	PART NO. : LPJ47408AHNL
	SCALE: 2/1	SHEET: 2/2	REV: A DWG NO. : LP08122405