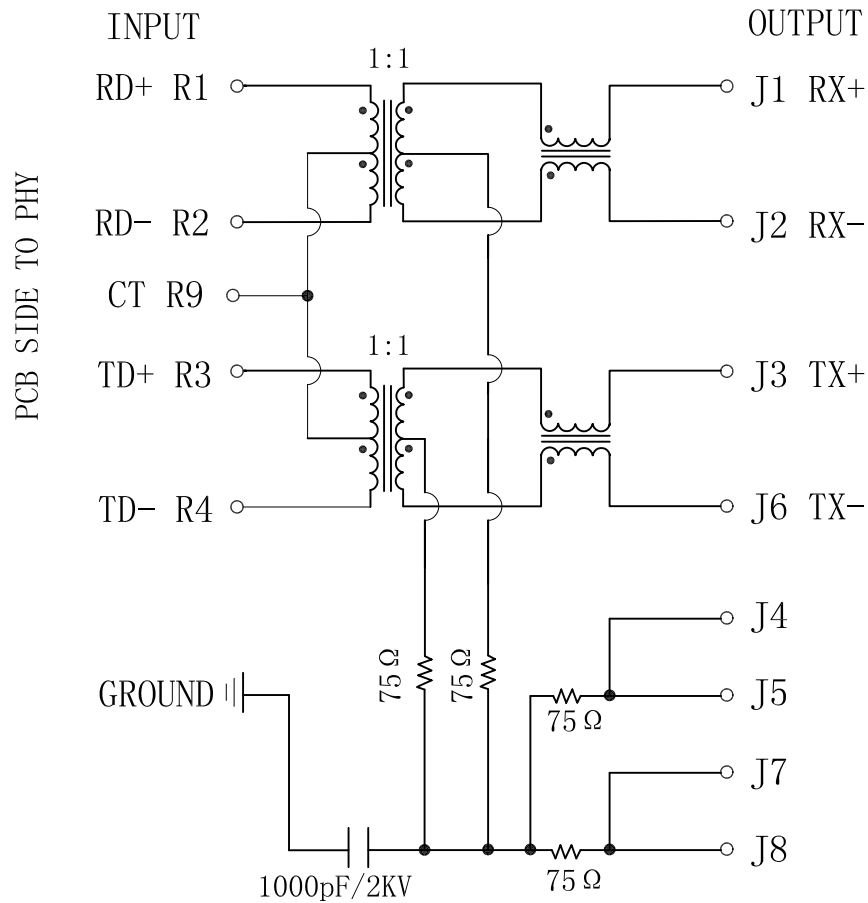


# Schematic:

| REV. | ECN NO. | DESCRIPTION | DATE       | APPD |
|------|---------|-------------|------------|------|
| A    | REL     |             | 24/12/2008 |      |



## Electrical Specifications:

1. Transmitter filter & Receiver filter  
Type: Balance low pass 100Ω impedance

Insertion Loss:

1-100MHz: -1.0dB MAX

Return Loss:

1-30MHz: -18dB MIN. load 100Ω

30-60MHz: -16dB MIN. load 100Ω

60-80MHz: -12dB MIN. load 100Ω

2. Turns Ratio: TX=1:1 RX=1:1

3. Inductance @ 100KHz, 0.1V, 8mA DC BIAS

Input (R1-R2), Input (R3-R4) : 350uH MIN

4. Crosstalk: 1-100MHz: -30dB MIN

5. CMR: 1-100MHz: -30dB MIN

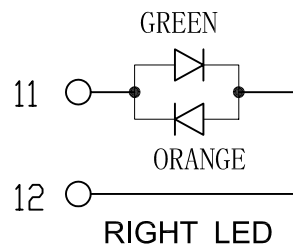
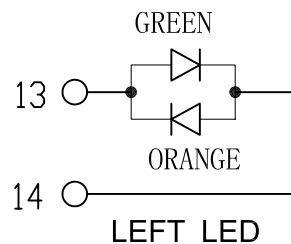
6. Hipot Test:

Input (R1-R2) to Output (J1-J2) : 1500VAC, 60sec

Input (R3-R4) to Output (J3-J6) : 1500VAC, 60sec

Output (J1-J2), Output (J3-J6) to Shell: 2500VAC, 5sec.

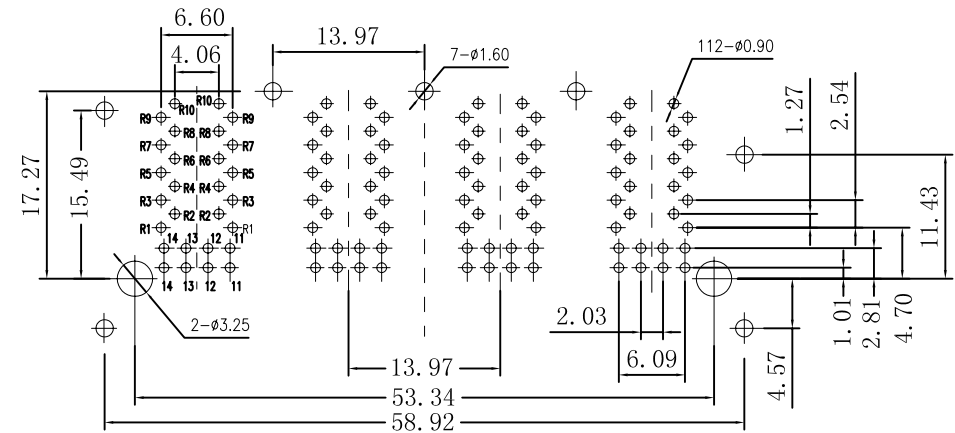
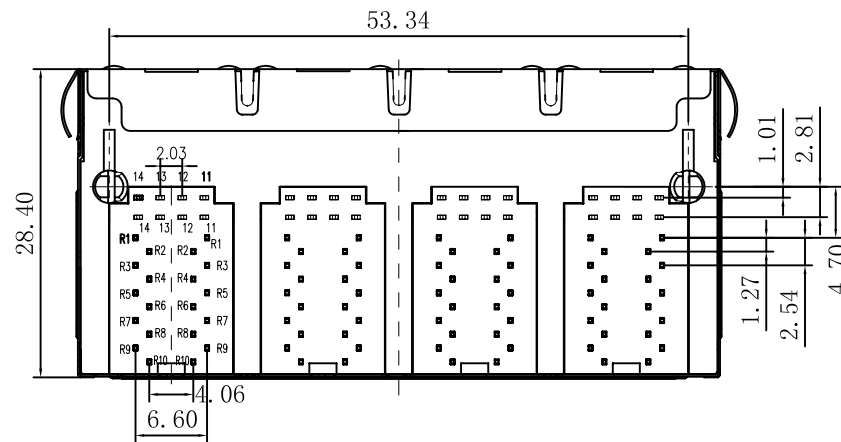
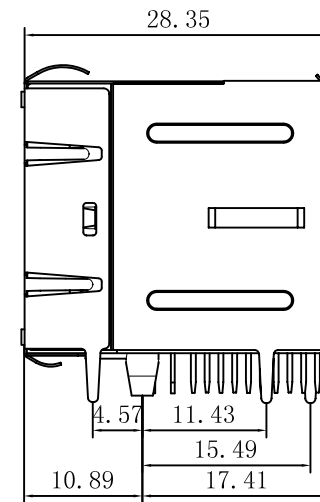
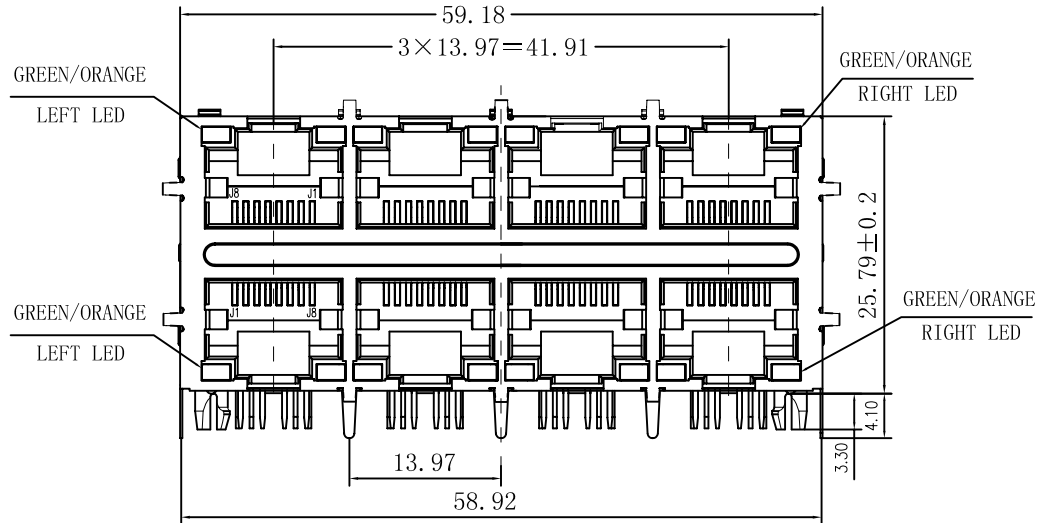
7. Operating Temperature: 0°C ~ 70°C.



|        |            |            |                                                        |
|--------|------------|------------|--------------------------------------------------------|
| X:X    | ±0.20      | APPD:      | LINK-PP INT'L TECHNOLOGY CO., LIMITED                  |
| X:XX   | ±0.10      | CHKD:      |                                                        |
| X:XXX  | ±0.05      | DR: TOM    | Title: RJ45 . Transformer. 10/100 Base-T<br>W/LED. 2×4 |
| ANGLES | ±1°        | UNIT: mm   | PART NO. : LPJ47408A31NL                               |
|        | SCALE: 2/1 | SHEET: 1/2 | REV: A DWG NO. : LP08122411                            |

# Mechanical :

| REV. | ECN NO. | DESCRIPTION | DATE       | APPD |
|------|---------|-------------|------------|------|
| A    | REL     |             | 24/12/2008 |      |



SUGGESTED PCB LAYOUT (TOP VIEW)

## NOTES:

1. Designed to support application, such as SOHO (ADSL modems), LAN-on-Motherboard (LOM), hub and Switches.
2. Meets IEEE 802.3 specification
3. Connector Materials:  
Housing: Thermoplastic UL94V-0  
Contact/Shield: Copper alloy  
Shield plating: Nickel  
Contact plating: Gold 6 micro-inches min. In contact area.
4. Wave solder tip temperature: 265°C Max  
Wave solder tip temperature time: 5 Sec Max



|            |       |                      |                                                  |
|------------|-------|----------------------|--------------------------------------------------|
| X:X        | ±0.20 | APPD:                | LINK-PP INT'L TECHNOLOGY CO., LIMITED            |
| X:XX       | ±0.10 | CHKD:                |                                                  |
| X:XXX      | ±0.05 | DR: TOM              |                                                  |
| ANGLES     | ±1°   | UNIT: mm             | Title: RJ45 .Transformer.10/100 Base-T W/LED.2×4 |
|            |       |                      | PART NO. : LPJ47408A31NL                         |
| SCALE: 2/1 |       | SHEET: 2/2           | REV: A                                           |
|            |       | DWG NO. : LP08122411 |                                                  |