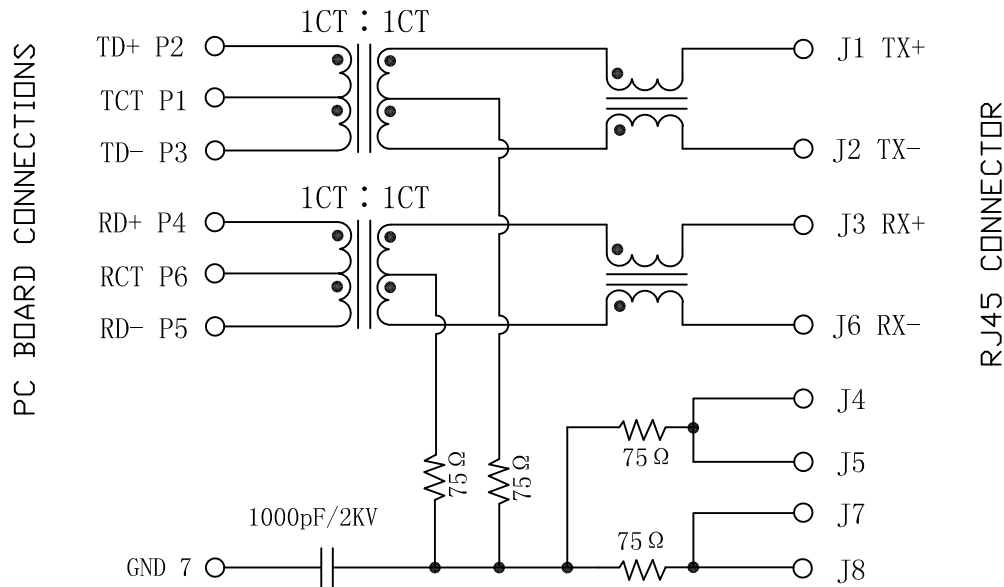


# Schematic:

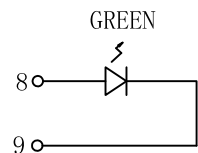
REV.	ECN NO.	DESCRIPTION	DATE	APPD
A	REL		2020/06/19	



## Electrical Specifications @25°C

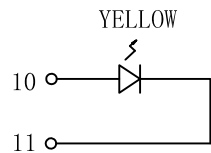
- Turns Ratio ( $\pm 2\%$ ):  
TX=1CT:1CT      RX=1CT:1CT
- Inductance (@100KHz/0.1V@8mA):  
350uH MIN
- Insertion Loss:  
1-65MHz:-1.0dB MAX
- Return Loss (dB MIN @100Ω  $\pm 15\Omega$ ):  
1-10MHz:-20      10-30MHz:-16  
30-60MHz:-12      60-100MHz:-10
- Crosstalk (dB MIN):  
1-30MHz:-40      30-60MHz:-35  
60-100MHz:-30
- Common Mode Rejection:  
1-50MHz:-30      50-150MHz:-20
- Hi-Pot: 1500Vrms @60Hz 1 MIN
- Operating Temperature Range: 0°C ~ +70°C.

Emitting Color	$\lambda_p$ (nm)	V <sub>F</sub> @I <sub>F</sub> =20mA	I <sub>R</sub> @V <sub>R</sub> =5V
GREEN	565	1.8~2.6V	10 μA max
YELLOW	585	1.8~2.6V	10 μA max



LEFT LED

LED POLARITY		COLOR
PIN 8	PIN 9	
+	-	GREEN



RIGHT LED

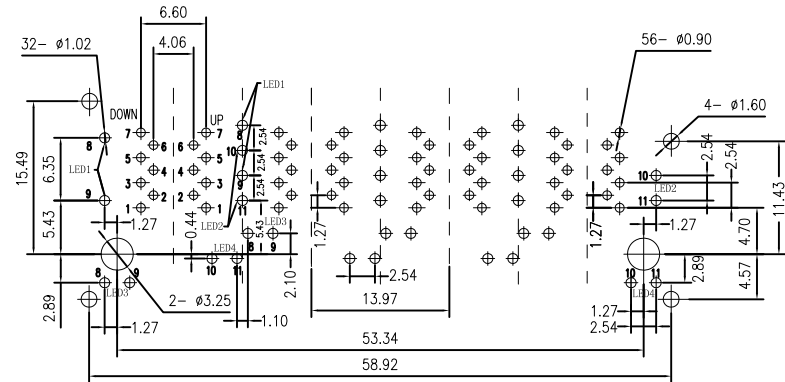
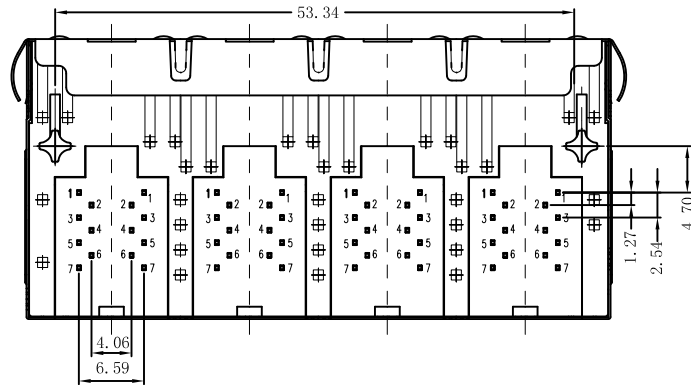
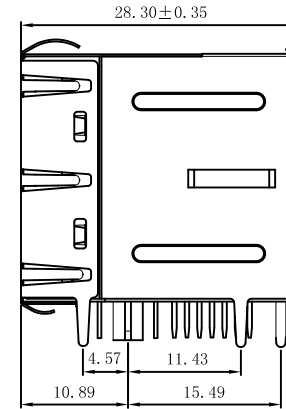
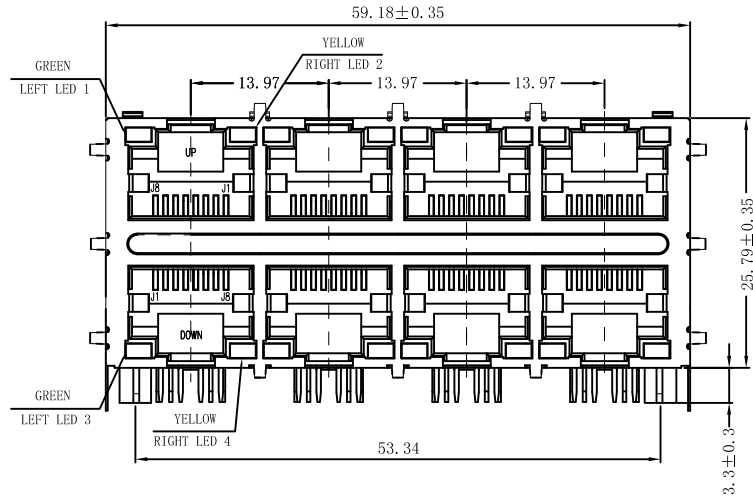
LED POLARITY		COLOR
PIN 10	PIN 11	
+	-	YELLOW



X:X	$\pm 0.30$	APPD:	LINK-PP INT'L TECHNOLOGY CO., LIMITED
X:XX	$\pm 0.25$	CHKD:	
X:XXX	$\pm 0.05$	DR: TOM	TITLE: RJ45 .Transformer. 10/100 Base-T W/LED. 2x4 Ports
ANGLES	$\pm 1^\circ$	UNIT: mm	PART NO.: LPJ47040AENL-2
	SCALE: 2/1	SHEET: 1/2	REV: A      DWG NO.: LP20061908

# Mechanical :

REV.	ECN NO.	DESCRIPTION	DATE	APPD
A	REL		2020/06/19	



SUGGESTED PCB LAYOUT (TOP VIEW)

## NOTES:

1. Designed to support application, such as SOHO (ADSL modems), LAN-on-Motherboard (LOM), hub and Switches.
2. Meets IEEE 802.3 specification
3. Connector Materials:  
Housing: Thermoplastic UL94V-0  
Contact/Shield: Copper alloy  
Shield plating: Nickel  
Contact plating: Gold 6 micro-inches min. In contact area.
4. Wave solder tip temperature: 265°C Max, 5 Sec.
5. UL Certification: File Number E484635.



X:X	±0.30	APPD:	LINK-PP INT'L TECHNOLOGY CO., LIMITED
X:XX	±0.25	CHKD:	
X:XXX	±0.05	DR: TOM	TITLE: RJ45 .Transformer. 10/100 Base-T W/LED. 2x4 Ports
ANGLES	±1°	UNIT: mm	PART NO.: LPJ47040AENL-2
	SCALE: 2/1	SHEET: 2/2	REV: A DWG NO.: LP20061908