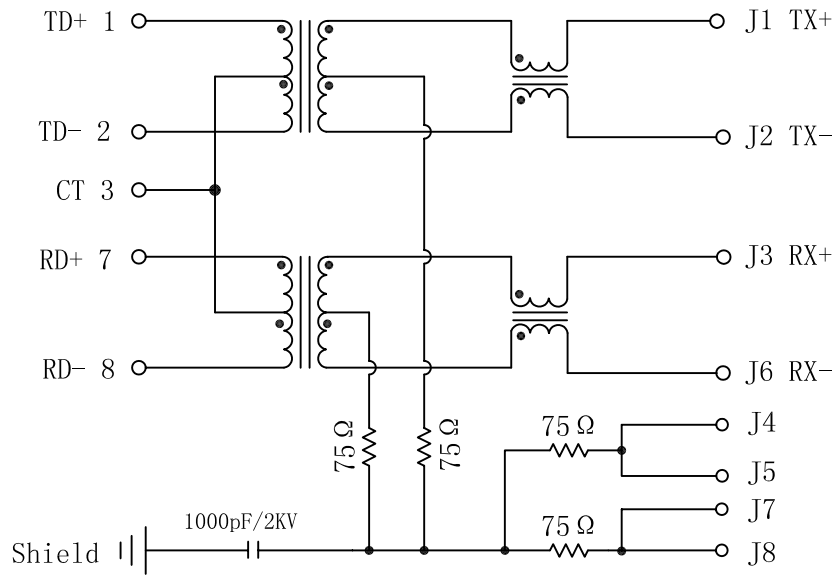


# Schematic:

REV.	ECN NO.	DESCRIPTION	DATE	APPD
A	REL		2012/11/19	

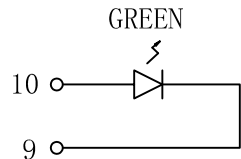
PCB CONNECTIONS



RJ45 CONNECTOR

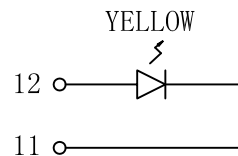
## Electrical Specification @25°C

- Turns Ratio:  
TX=1CT : 1CT      RX=1CT : 1CT
- OCL: 350uH Min  
@100KHz, 0.1V, 8mA DC Bias
- Insertion Loss:  
1~100MHz:-1.0dB Max
- Return Loss(dB Min):  
1~30MHz:-18      30~60MHz:-16  
60~80MHz:-12
- Crosstalk:  
1~100MHz:-30dB Min
- Common to Common Mode Rejection:  
1~100MHz:-30dB Min
- Hipot: 1500VAC
- Operating Temperature: 0°C~70°C.



LEFT LED

LED POLARITY		COLOR
PIN 10	PIN 9	
+	-	GREEN



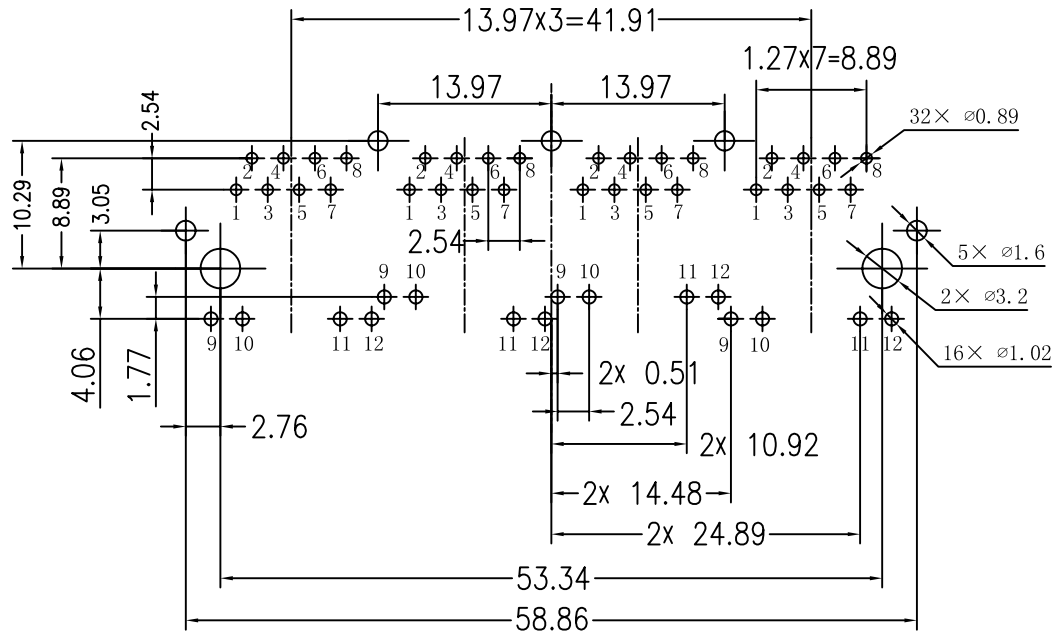
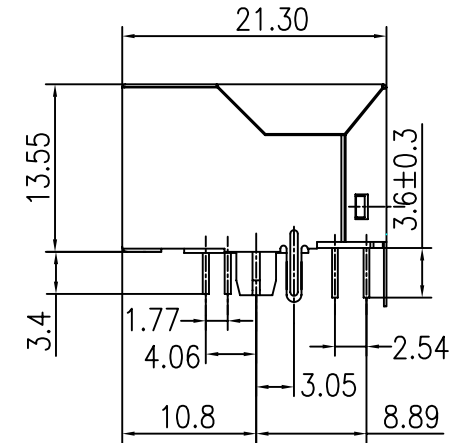
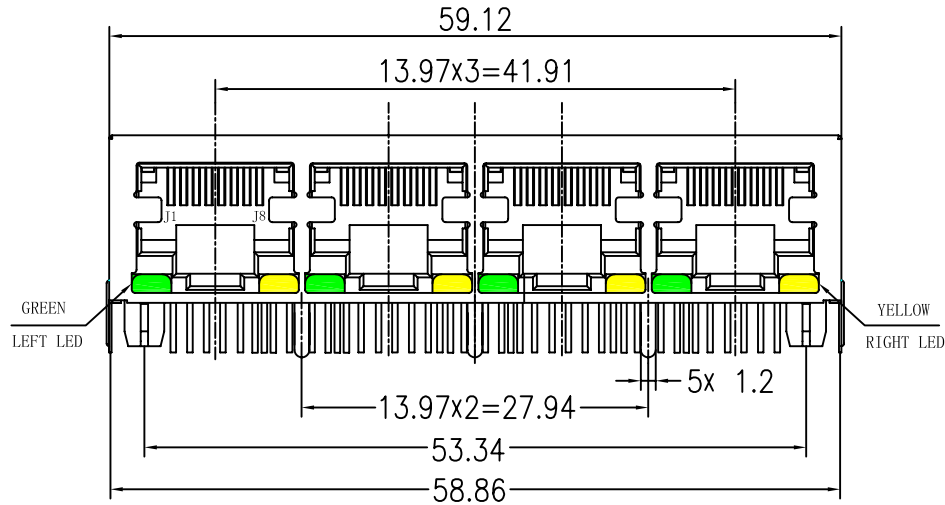
RIGHT LED

LED POLARITY		COLOR
PIN 12	PIN 11	
+	-	YELLOW

X:X	±0.20	APPD:	LINK-PP INT'L TECHNOLOGY CO., LIMITED
X:XX	±0.10	CHKD:	
X:XXX	±0.05	DR: TOM	
ANGLES	±1°	UNIT: mm	TITLE: RJ45 Connector With 10/100 Base-TX Integrated Magnetic
			PART NO.: LPJ46213BHNL
	SCALE: 2/1	SHEET: 1/2	REV: A      DWG: LP12111920

# Mechanical :

REV.	ECN NO.	DESCRIPTION	DATE	APPD
A	REL		2012/11/19	



SUGGESTED PCB LAYOUT (TOP VIEW)

## NOTES:

1. Designed to support application, such as SOHO (ADSL modems), LAN-on-Motherboard (LOM), hub and Switches.
2. Meets IEEE 802.3 specification
3. Connector Materials:  
 Housing: Thermoplastic UL94V-0  
 Contact/Shield: Copper alloy  
 Shield plating: Nickel  
 Contact plating: Gold 6 micro-inches min. In contact area.
4. Wave peak temperature: 260°C, 5Sec.



X:X	±0.20	APPD:	LINK-PP INT'L TECHNOLOGY CO., LIMITED	
X:XX	±0.10	CHKD:	TITLE: RJ45 Connector With 10/100 Base-TX Integrated Magnetic	
X:XXX	±0.05	DR: TOM	PART NO.: LPJ46213BHNL	
ANGLES	±1°	UNIT: mm		
	SCALE: 2/1	SHEET: 2/2	REV: A	DWG: LP12111920