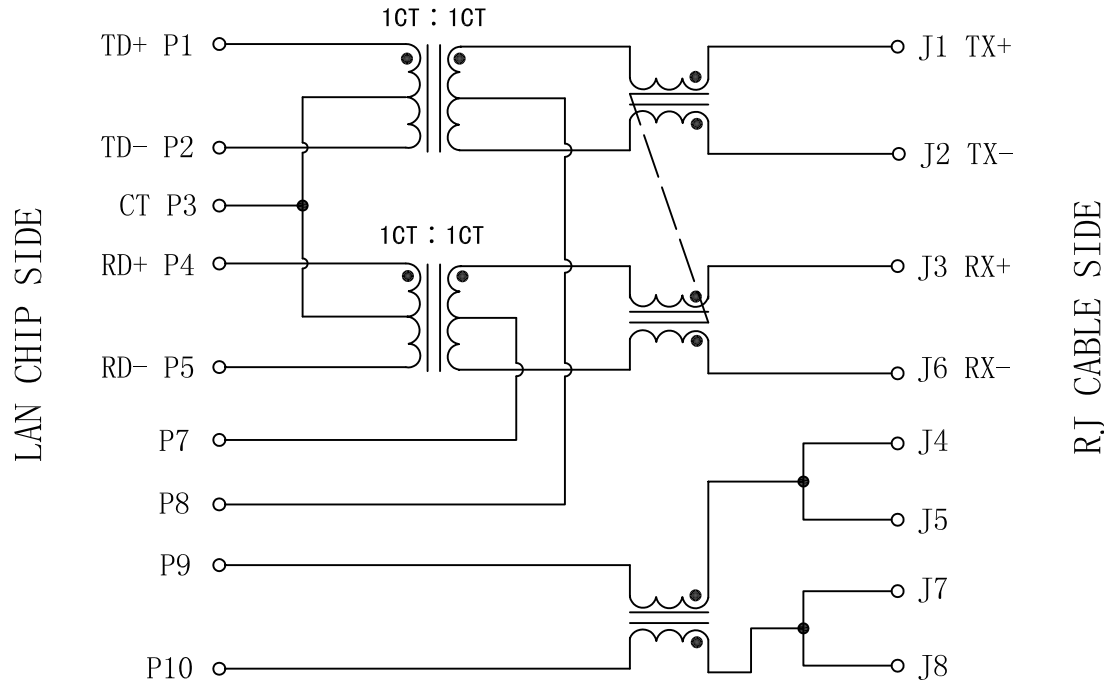


Schematic:

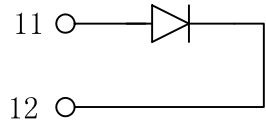
REV.	ECN NO.	DESCRIPTION	DATE	APPD
A	REL		31/11/2009	



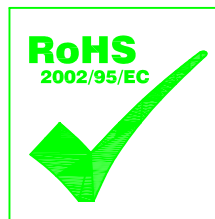
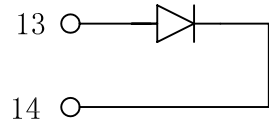
Electrical Specifications @25°C

- Turns Ratio:
TX=1CT : 1CT RX=1CT : 1CT
- Inductance: 350uH MIN
@100KHz, 0.1Vrms, 8mA DC bias
- Insertion Loss:
0.1~100MHz:-1.1dB MAX
- Return Loss(dB MIN):
0.5~30MHz:-18 40MHz:-15.5
50MHz:-13.6 60~80MHz:-12
- Crosstalk:
0.1~100MHz:-38 dB TYP
- Common Mode Rejection(dB MIN):
0.1~30MHz:-50 30~60MHz:-40
60~100MHz:-30
- Hipot: 1500Vrms
- Operating Temperature: -40°C ~ +85°C.

GREEN/LEFT LED



YELLOW/RIGHT LED



X:X ±0.25	APPD:	LINK-PP INT'L TECHNOLOGY CO., LIMITED		
X:XX ±0.10	CHKD:			
X:XXX ±0.05	DR: TOM			
ANGLES ±1°	UNIT: mm	TITLE: RJ45 Connector with 10/100 Base-TX Integrated Magnetics		
		PART NO.: LPJ4519GENL		
	SCALE: 2/1	SHEET: 1/2	REV: A	DWG NO.: LP09111306

