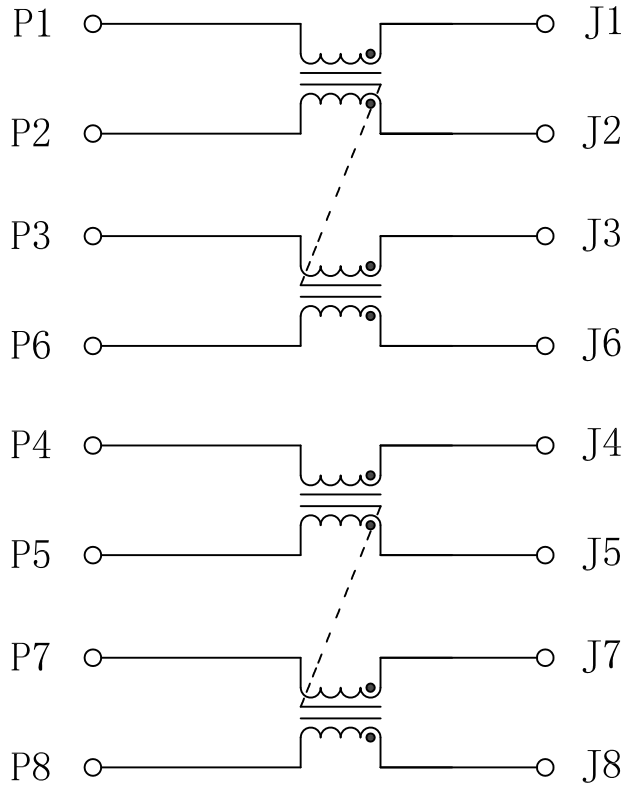


Schematic:

REV.	ECN NO.	DESCRIPTION	DATE	APPD
A	REL		2017/09/23	

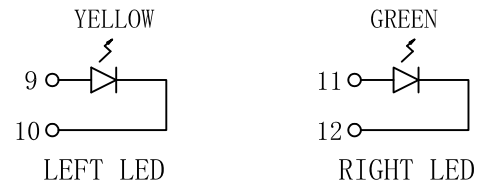
PCB CONNECTIONS



RJ45 CONNECTOR

Electrical Specifications @ 25°C

1. Choke OCL: 35uH Min.
2. Winding DCR: 0.4 Ω Max.
3. Cw/w: 15pF Max.
4. Isolation Voltage: 500Vrms
5. Operating Temperature: -40°C ~ +85°C.



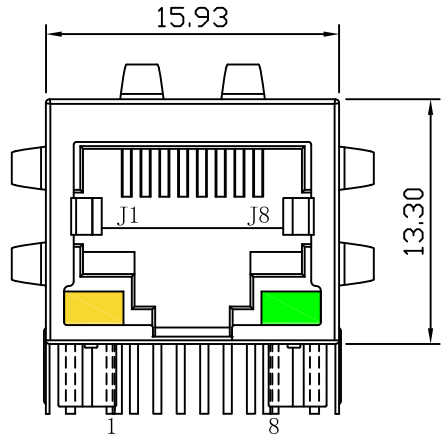
Emitting Color	λ p(nm)	VF@IF=20mA	IR @VR=5V
GREEN	565	1.8~2.6V	10 μ A max
YELLOW	585	1.8~2.6V	10 μ A max



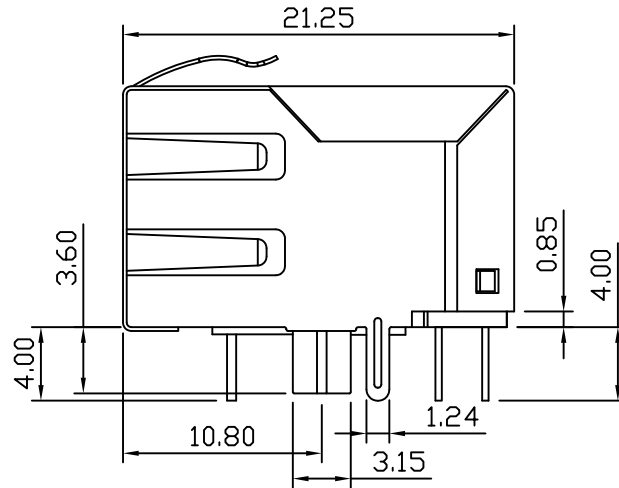
X:X ±0.30	APPD:	LINK-PP INT'L TECHNOLOGY CO., LIMITED	
X:XX ±0.25	CHKD:	TITLE: 1×1 Tab Down Common Mode Choke RJ45	
X:XXX ±0.05	DR: TOM	PART NO.: LPJ4311EDNL	
ANGLES ±1°	UNIT: mm	DWG NO.: LP17092310	
	SCALE: 2/1	SHEET: 1/2	REV: A

Mechanical:

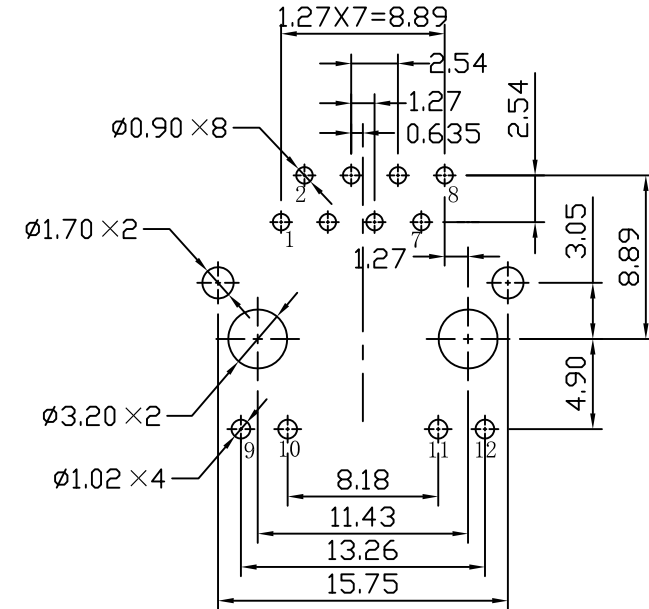
REV.	ECN NO.	DESCRIPTION	DATE	APPD
A	REL		2017/09/23	



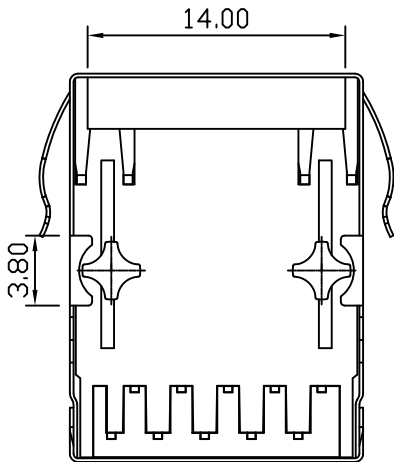
Front Side View



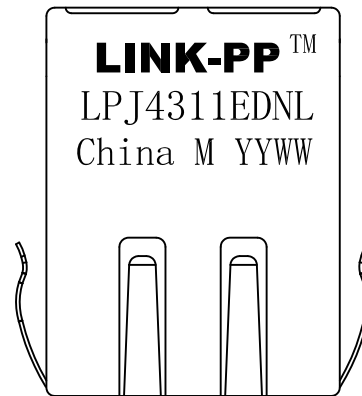
Left Side View



Suggested PCB Layout(Top View)



Bottom Side View



Top Side View

NOTES:

1. Integrated Common Mode Filters.
2. For use in Gigabit and 10/100Base-TX Circuits.
3. Can also be used for 10/100 PoE+
4. Connector Materials:
 Housing: Thermoplastic PBT+30%G.F UL94V-0
 Contact: Phosphor Bronze C5210R-EH Thickness=0.35mm
 Pins: Brass C2680R-H Thickness=0.35mm
 Shield: SUS 201-1/2H Thickness=0.2mm
 Contact plating: Gold 6 micro-inches min. In contact area.
5. Wave solder tip temperature: 265°C Max, 5 Sec Max.
6. UL Certification: File Number E484635.

X:X ±0.30	APPD:	LINK-PP INT'L TECHNOLOGY CO., LIMITED		
X:XX ±0.25	CHKD:	TITLE: 1×1 Tab Down Common Mode Choke RJ45		
X:XXX ±0.05	DR: TOM	PART NO.: LPJ4311EDNL		
ANGLES ±1°	UNIT: mm			
	SCALE: 2/1	SHEET: 2/2	REV: A	DWG NO.: LP17092310