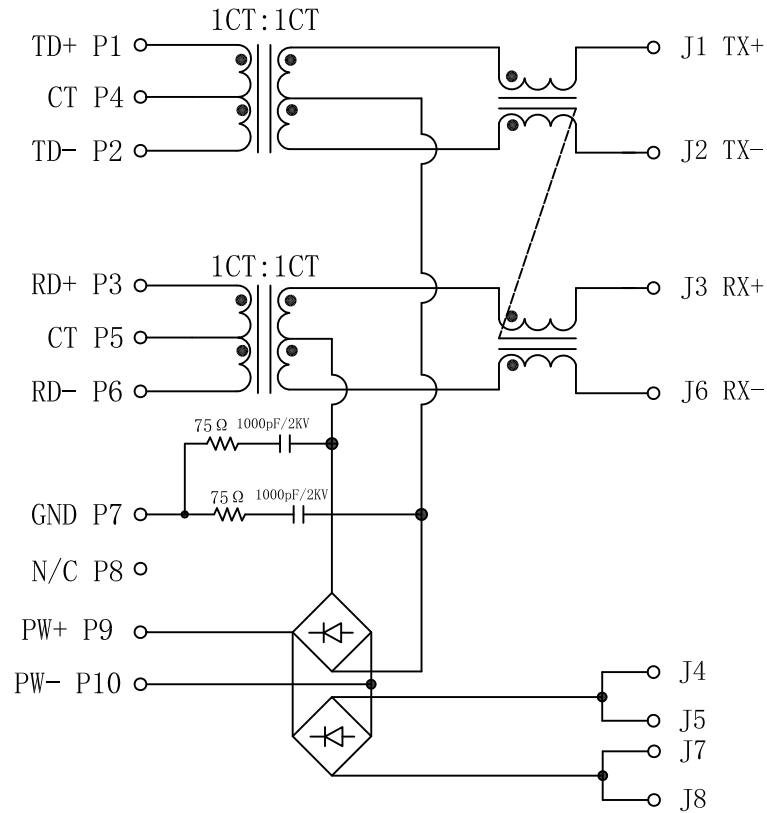


# Schematic:

REV.	ECN NO.	DESCRIPTION	DATE	APPD
A	REL		2016-12-29	

PC BOARD CONNECTIONS



RJ45 CONNECTOR

## ELECTRICAL SPECIFICATIONS @25°C

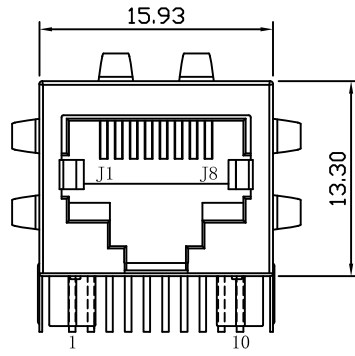
- Turn Ratio( $\pm 3\%$ ):  
TX=1CT:1CT                      RX=1CT:1CT
- Inductance OCL:  
350uH MIN @ 100KHz 0.1V 8mA DC Bias
- DCR:  
1.2  $\Omega$  MAX
- Insertion Loss:  
-1.0dB MAX @ 1-100MHz
- Return Loss:  
-18dB MIN @ 1-30MHz  
-15dB MIN @ 30-60MHz  
-12dB MIN @ 60-100MHz
- Cross talk:  
-40dB MIN @ 1-30MHz  
-35dB MIN @ 30-60MHz  
-30dB MIN @ 60-100MHz
- Common Mode Rejection:  
-30dB MIN @ 1-100MHz  
-20dB MIN @ 50-100MHz
- Balanced DC Line Current: 350mA MAX @48VDC
- Hipot Test: 1500Vrms
- Operating Temperature Range: -40°C TO +85°C.



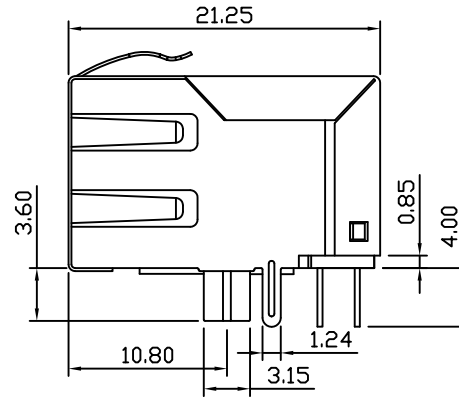
X:X	$\pm 0.30$	APPD:	LINK-PP INT'L TECHNOLOGY CO., LIMITED
X:XX	$\pm 0.25$	CHKD:	
X:XXX	$\pm 0.05$	DR: SEA	
ANGLES $\pm 1^\circ$		UNIT: mm	PART NO.: LPJ4284CNL
	SCALE: 2/1	SHEET: 1/2	REV: A
		DWG NO.:	LP16122910

# Mechanical:

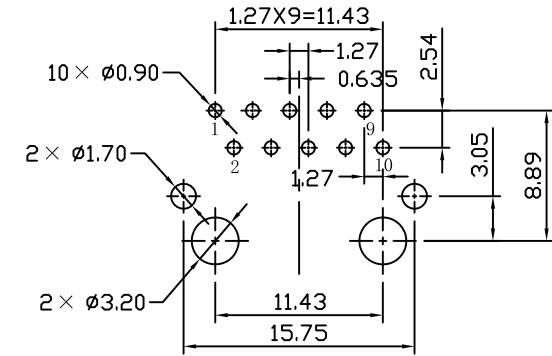
REV.	ECN NO.	DESCRIPTION	DATE	APPD
A	REL		2016-12-29	



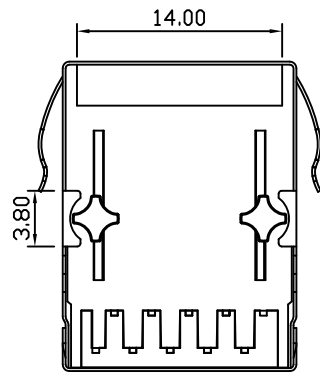
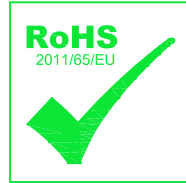
Front Side View



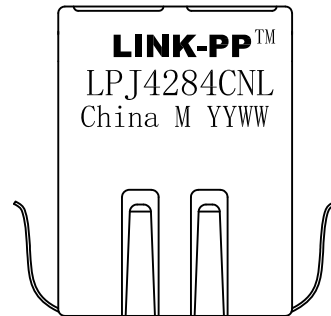
Left Side View



Suggested PCB Layout (Top View)



Bottom Side View



Top Side View

### NOTES:

1. Designed to support application, such as SOHO (ADSL modems), LAN-on-Motherboard (LOM), hub and Switches.
2. Meets IEEE802.3af specification
3. Connector Materials:  
 Housing: Thermoplastic PBT+30%G. F UL94V-0  
 Contact: Phosphor Bronze C5210R-EH Thickness=0.35mm  
 Pins: Brass C2680R-H Thickness=0.35mm  
 Shield: SUS 201-1/2H Thickness=0.2mm  
 Contact plating: Gold 6 micro-inches min. In contact area.
4. Wave solder tip temperature: 265°C Max, 5 Sec.
5. UL Certification: File Number E484635.

X:X ±0.30	APPD:	LINK-PP INT'L TECHNOLOGY CO., LIMITED
X:XX ±0.25	CHKD:	
X:XXX ±0.05	DR: SEA	TITLE: RJ45 Connector with 10/100 Base-T Integrated Magnetics For PoE Application
ANGLES ±1°	UNIT: mm	PART NO.: LPJ4284CNL
	SCALE: 2/1	SHEET: 2/2
	REV: A	DWG NO.: LP16122910