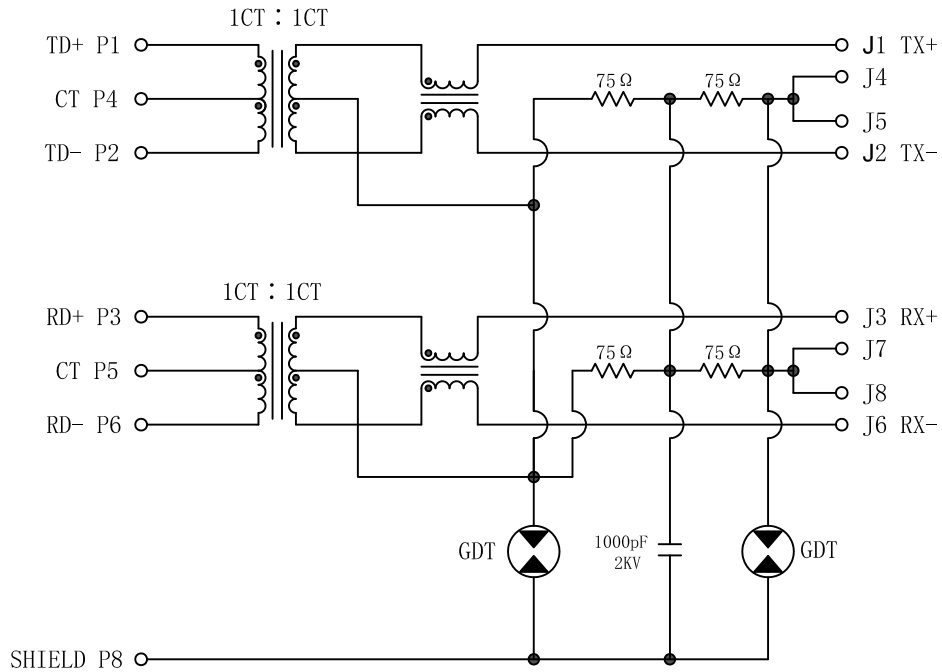


Schematic:

REV.	ECN NO.	DESCRIPTION	DATE	APPD
A	REL		2014-10-23	

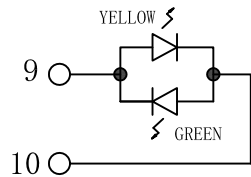
PCB CONNECTIONS



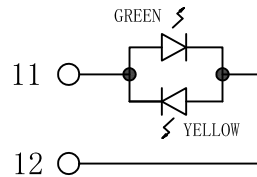
RJ45 CONNECTOR

Electrical Specification @25°C

- Turns Ratio ($\pm 3\%$):
 (P1-P2) : (J1-J2) = 1:1
 (P3-P6) : (J3-J6) = 1:1
- Inductance: 350uH Min
 @0.1V, 0.1MHz, 8mA DC Bias
- Insertion Loss:
 0.3-100MHz: -1.0dB Max
- Return Loss (dB Min @100 Ohm):
 1-10MHz: -20 10-30MHz: -16
 30-60MHz: -12 60-80MHz: -10
- Cross talk:
 1-30MHz: -35dB Min
- Common Mode Rejection
 1-50MHz: -30dB Min
- Hipot: 1500Vrms Min
- Operating Temperature: -40°C ~ +85°C.



LEFT LED



RIGHT LED

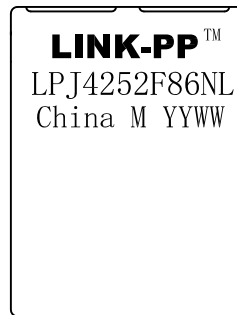
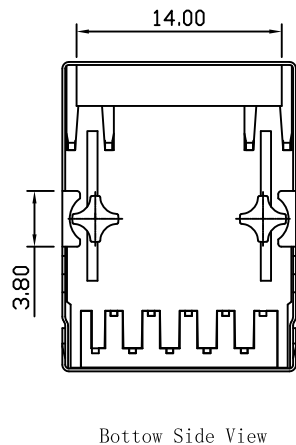
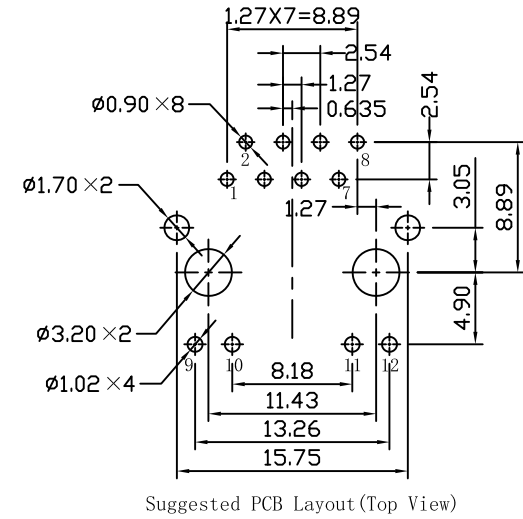
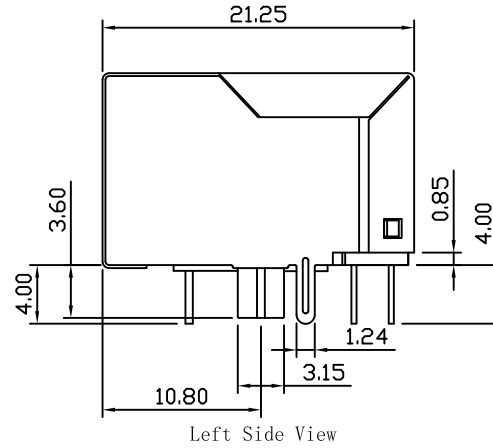
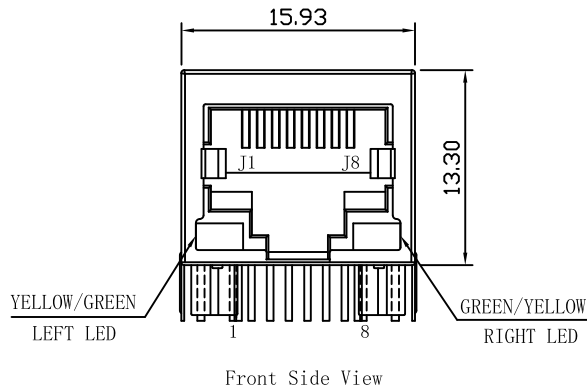
Emitting Color	λ p(nm)	V _F @I _F =20mA	I _R @V _R =5V
Green	565	1.8~2.6V	10 μ A max
Yellow	590	1.8~2.6V	10 μ A max



X:X	± 0.30	APPD:	LINK-PP INT'L TECHNOLOGY CO., LIMITED	
X:XX	± 0.25	CHKD:	TITLE: RJ45 Connector with 10/100 Base-T Integrated Magnetics	
X:XXX	± 0.05	DR: TOM	PART NO.: LPJ4252F86NL	
ANGLES	$\pm 1^\circ$	UNIT: mm	DWG NO.: LP14102301	
		SCALE: 2/1	SHEET: 1/2	REV: A

Mechanical:

REV.	ECN NO.	DESCRIPTION	DATE	APPD
A	REL		2014-10-23	



NOTES:

1. Meets IEEE 802.3 specification
2. Connector Materials:
 Housing Material: Thermoplastic PBT+30%G.F UL94V-0
 Contact Material: Phosphor Bronze C5210R-EH Thickness=0.35mm
 Pins: Brass C2680R-H Thickness=0.35mm
 Shield: SUS S304-1/2H Thickness=0.2mm
 Contact plating: Gold 6 micro-inches min. In contact area.
3. Wave solder tip temperature: 265°C Max, 5 Sec.
4. UL Certification: File Number E484635.

X:X	±0.30	APPD:	LINK-PP INT'L TECHNOLOGY CO., LIMITED	
X:XX	±0.25	CHKD:	TITLE: RJ45 Connector with 10/100 Base-T Integrated Magnetics	
X:XXX	±0.05	DR: TOM	PART NO.: LPJ4252F86NL	
ANGLES	±1°	UNIT: mm	DWG NO.: LP14102301	
	SCALE: 2/1	SHEET: 2/2	REV: A	