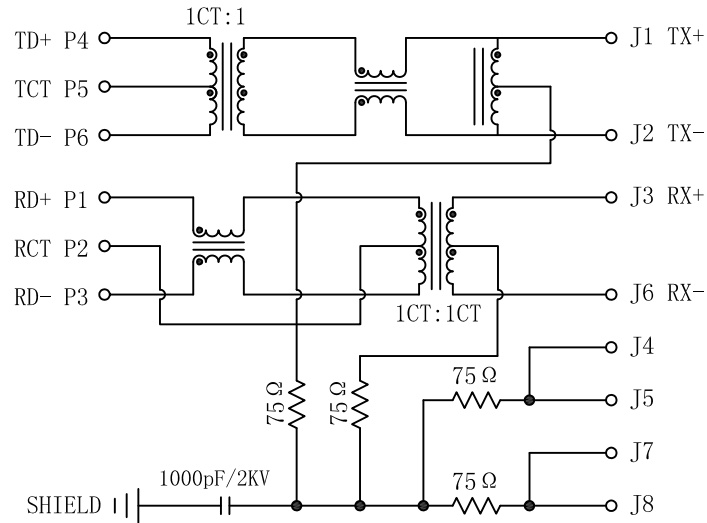


# Schematic:

REV.	ECN NO.	DESCRIPTION	DATE	APPD
A	REL		2015-11-24	

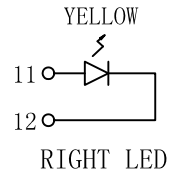
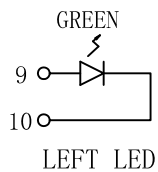
PC BOARD CONNECTIONS



RJ45 CONNECTOR

### Electrical Specification @25°C

- Turns Ratio ( $\pm 3\%$ ):  
TX=1CT:1      RX=1CT:1CT
- OCL: 350uH Min  
@ 100KHz, 0.1V With 8mA DC Bias
- Insertion Loss:  
0.5-100MHz: -1.1dB MAX
- Return Loss (dB Min):  
0.5-30MHz: -18  
30.1-60MHz:  $-[18-20*\log(f/30)]$   
60.1-80MHz: -12
- Cross Talk (dB Min):  
0.5-40MHz: -35  
40.1-100MHz:  $-[33-20*\log(f/50)]$
- CMRR:  
0.5-100MHz: -30 dB Min
- Hipot: 1500Vrms
- Operating Temperature:  $-40^{\circ}\text{C} \sim +85^{\circ}\text{C}$ .

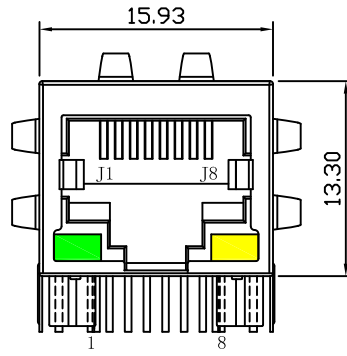


Emitting Color	$\lambda$ p(nm)	V <sub>F</sub> @I <sub>F</sub> =20mA	I <sub>R</sub> @V <sub>R</sub> =5V
GREEN	565	1.8~2.6V	10 $\mu$ A max
YELLOW	585	1.8~2.6V	10 $\mu$ A max

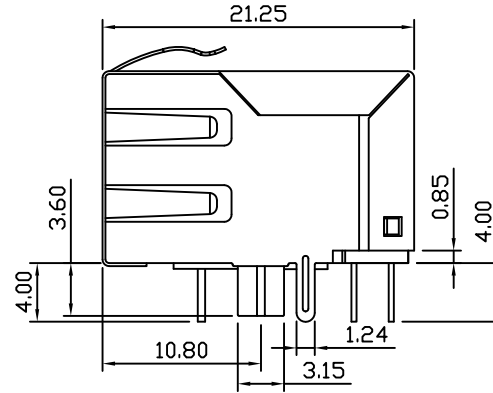
X:X	$\pm 0.30$	APPD:	LINK-PP INT'L TECHNOLOGY CO., LIMITED	
X:XX	$\pm 0.25$	CHKD:		
X:XXX	$\pm 0.05$	DR: TOM	TITLE: RJ45 Connector with 10/100 Base-T Integrated Magnetics	
ANGLES	$\pm 1^{\circ}$	UNIT: mm	PART NO.: LPJ4186GENL	
	SCALE: 2/1	SHEET: 1/2	REV: A	DWG NO.: LP15112403

# Mechanical:

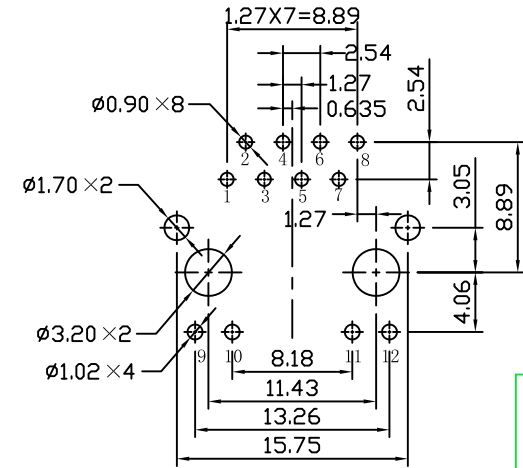
REV.	ECN NO.	DESCRIPTION	DATE	APPD
A	REL		2015-11-24	



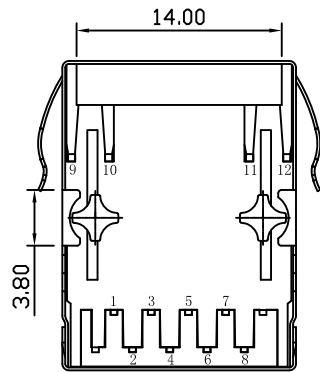
Front Side View



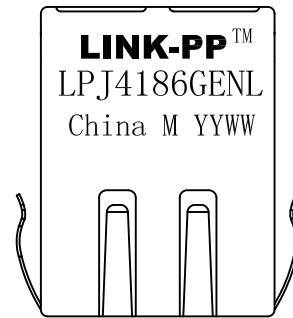
Left Side View



Suggested PCB Layout (Top View)



Bottom Side View



Top Side View

### NOTES:

1. Designed to support application, such as SOHO (ADSL modems), LAN-on-Motherboard (LOM), hub and Switches.
2. Connector Materials:  
 Housing: Thermoplastic PBT+30%G.F UL94V-0  
 Contact: Phosphor Bronze C5210R-EH Thickness=0.35mm  
 Pins: Brass C2680R-H Thickness=0.35mm  
 Shield: SUS 201-1/2H Thickness=0.2mm  
 Contact plating: Gold 6 micro-inches min. In contact area.
3. Wave solder tip temperature: 265°C Max, 5 Sec Max.

X:X	±0.30	APPD:	LINK-PP INT'L TECHNOLOGY CO., LIMITED	
X:XX	±0.25	CHKD:	TITLE: RJ45 Connector with 10/100 Base-T Integrated Magnetics	
X:XXX	±0.05	DR: TOM	PART NO.: LPJ4186GENL	
ANGLES	±1°	UNIT: mm	DWG NO.: LP15112403	
	SCALE: 2/1	SHEET: 2/2	REV: A	