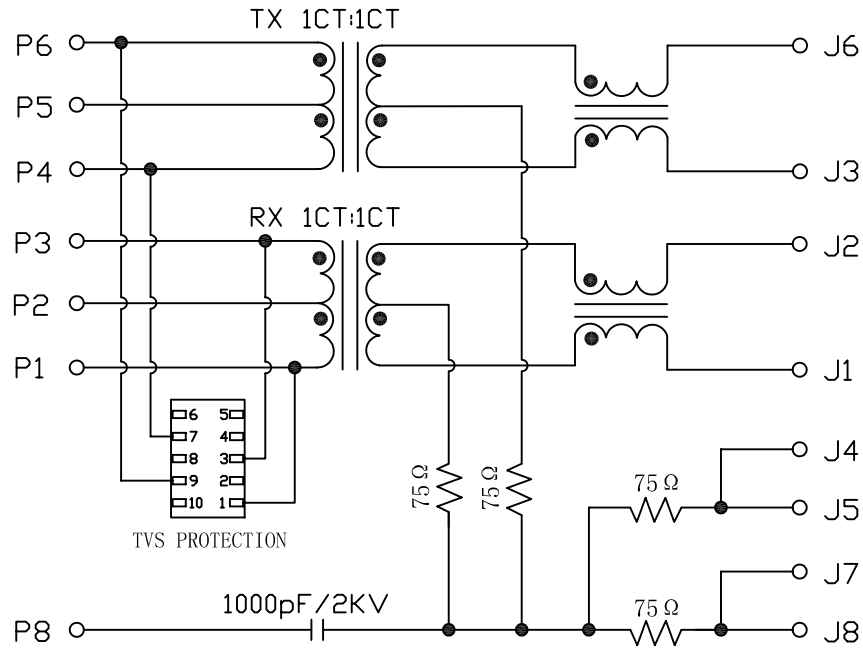


Schematic:

REV.	ECN NO.	DESCRIPTION	DATE	APPD
A	REL		04/02/2010	

PCB SIDE TO PHY

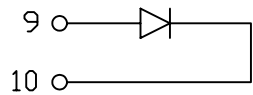


CABLE SIDE

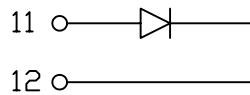
Electrical Specification @25°C

- Turns Ratio:
TX=1CT:1CT RX=1CT:1CT
- Insertion Loss:
0.3-100MHz:-1.0dB MAX
- Return Loss:
30MHz:-18dB MIN
80MHz:-12dB MIN
- Hipot: 1500Vrms
- OCL(100KHz 100mV 8mADC): 350uH Min
- Operating Temperature:-40°C ~ +85°C.

GREEN/LEFT LED



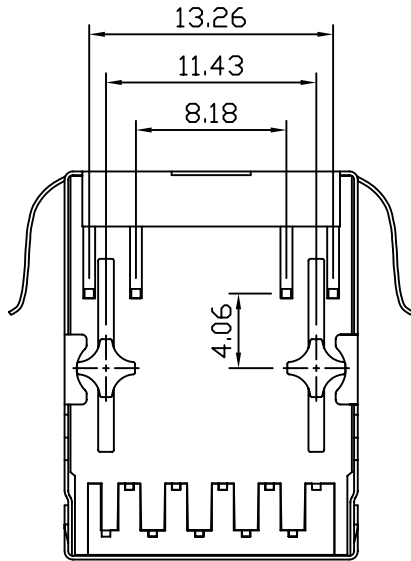
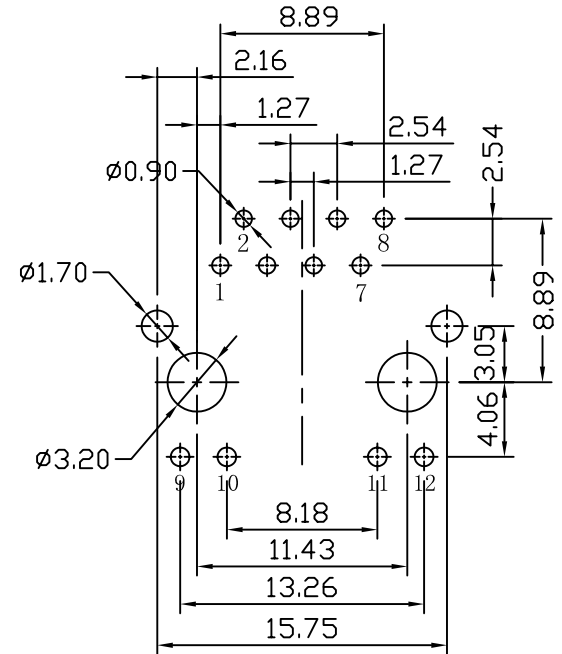
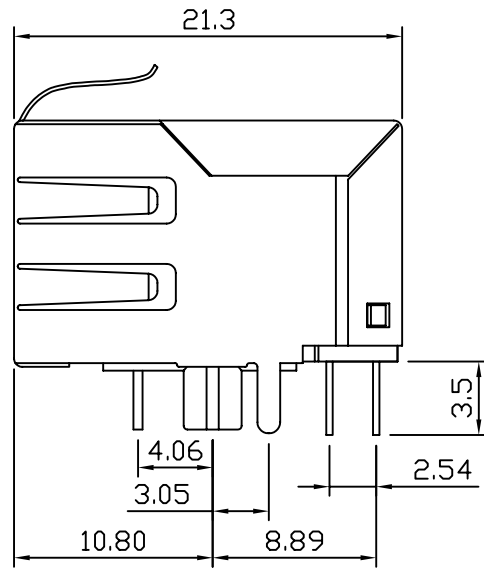
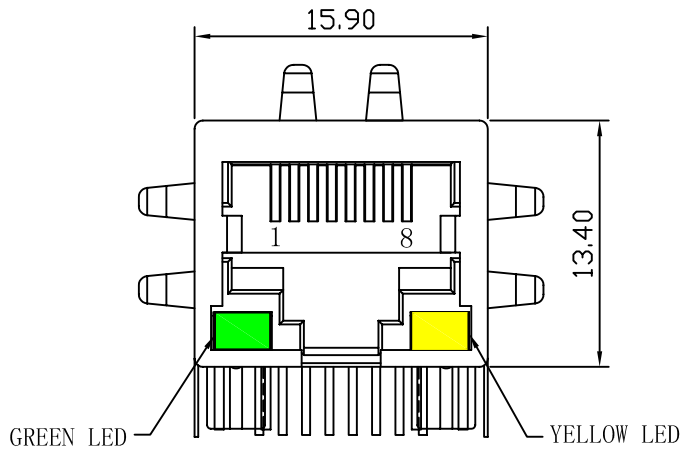
YELLOW/RIGHT LED



X:X ±0.25	APPD:	LINK-PP INT'L TECHNOLOGY CO., LIMITED
X:XX ±0.10	CHKD:	
X:XXX ±0.05	DR: TOM	TITLE: RJ45 Connector with 10/100 Base-T Integrated Magnetics
ANGLES ±1°	UNIT: mm	PART NO.: LPJ4141GENL
	SCALE: 2/1	SHEET: 2/2
	REV: A	DWG NO.: LP10020409

Mechanical:

REV.	ECN NO.	DESCRIPTION	DATE	APPD
A	REL		04/02/2010	



NOTES:

1. Designed to support application, such as SOHO (ADSL modems), LAN-on-Motherboard (LOM), hub and Switches.
2. Meets IEEE 802.3 specification
3. Connector Materials:
Housing: Thermoplastic UL94V-0
Contact/Shield: Copper alloy
Shield plating: Nickel
Contact plating: Gold 6 micro-inches min. In contact area.
4. Wave solder tip temperature: 265°C Max
Wave solder tip temperature time: 5 Sec Max



X:X ±0.25	APPD:	LINK-PP INT'L TECHNOLOGY CO., LIMITED		
X:XX ±0.10	CHKD:			
X:XXX ±0.05	DR: TOM			
ANGLES ±1°	UNIT: mm	TITLE: RJ45 Connector with 10/100 Base-T Integrated Magnetics		
		PART NO.: LPJ4141GENL		
	SCALE: 2/1	SHEET: 1/2	REV: A	DWG NO.: LP10020409