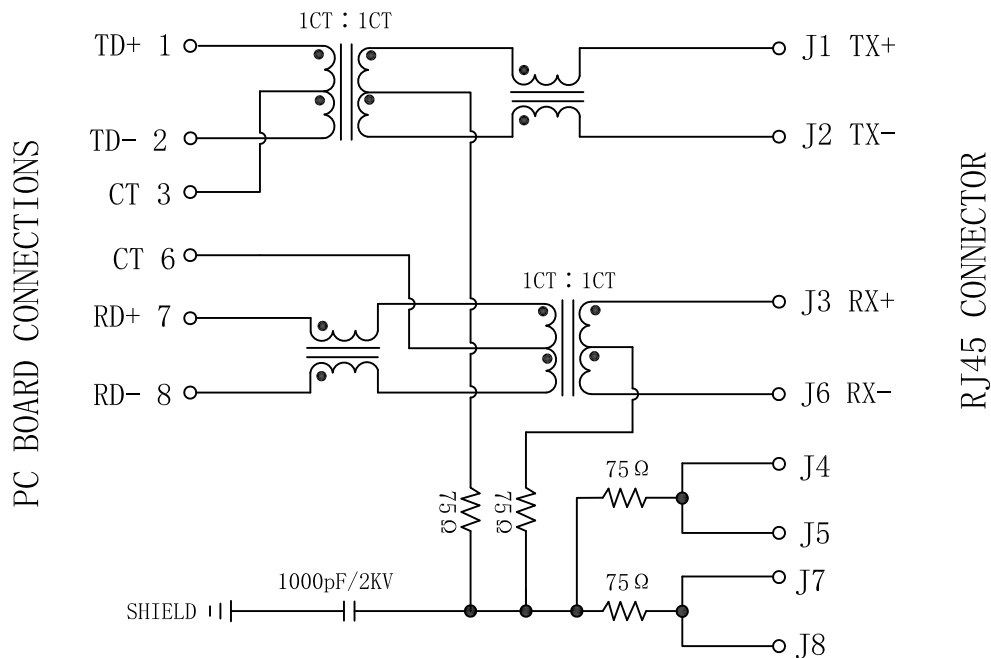


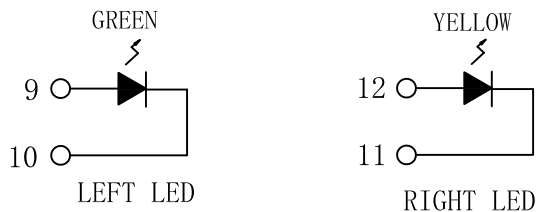
# Schematic:

REV.	ECN NO.	DESCRIPTION	DATE	APPD
A	REL		14/12/2009	



## Electrical Specifications @25°C

- Turns Ratio:  
TX=1CT:1CT                      RX=1CT:1CT
- Inductance OCL: 350uH Min  
@100KHz, 0.1V, 8mA
- Insertion Loss:  
1-65MHz:-1.0dB Max
- Return Loss(dB Min):  
1-30MHz:-18;                      40MHz:-16;  
50MHz:-12;                      60MHz:-10
- Crosstalk(dB Min):  
30MHz:-40;                      60MHz:-35;  
100MHz:-30.
- Common Mode Rejection:(dB Min):  
30MHz:-30;                      60MHz:-20;  
100MHz:-20
- Hipot: 1500Vrms
- Operating Temperature: -40°C - +85°C.



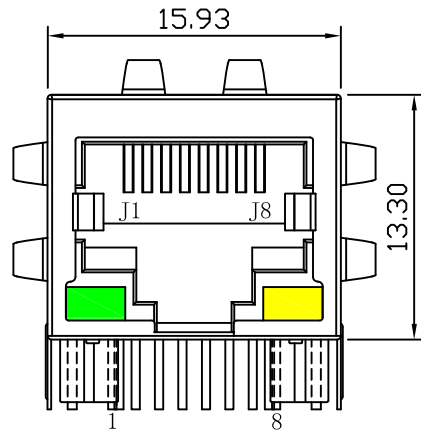
Emitting Color	$\lambda$ p(nm)	VF@IF=20mA	IR @VR=5V
GREEN	565	1.8~2.6V	10 $\mu$ A max
YELLOW	585	1.8~2.6V	10 $\mu$ A max



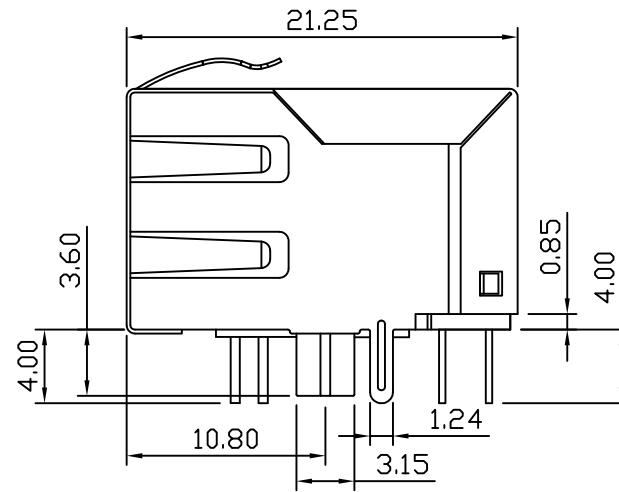
X:X	$\pm 0.30$	APPD:	LINK-PP INT'L TECHNOLOGY CO., LIMITED	
X:XX	$\pm 0.25$	CHKD:	TITLE: RJ45 Connector with 10/100 Base-T Integrated Magnetics	
X:XXX	$\pm 0.05$	DR: TOM	PART NO.: LPJ4126ABNL	
ANGLES	$\pm 1^\circ$	UNIT: mm		
	SCALE: 2/1	SHEET: 1/2	REV: A	DWG NO.: LP09121410

# Mechanical:

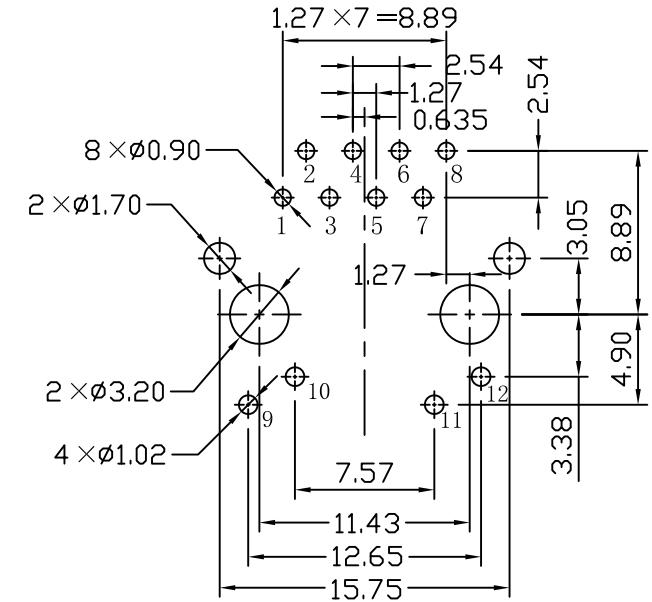
REV.	ECN NO.	DESCRIPTION	DATE	APPD
A	REL		14/12/2009	



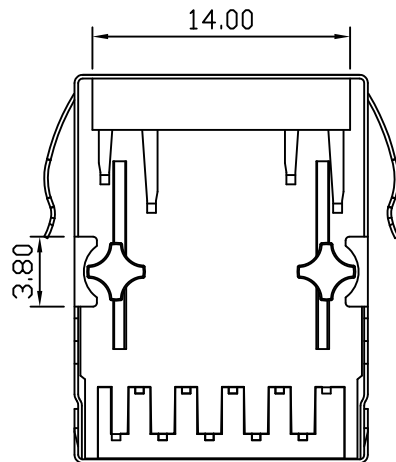
Front Side View



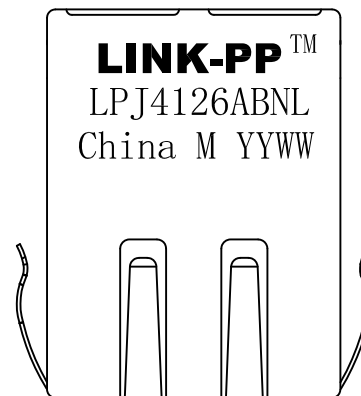
Left Side View



Suggested PCB Layout (Top View)



Bottom Side View



Top Side View

### NOTES:

1. Designed to support application, such as SOHO (ADSL modems), LAN-on-Motherboard (LOM), hub and Switches.
2. Meets IEEE 802.3 specification
3. Connector Materials:  
 Housing: Thermoplastic PBT+30%G.F UL94V-0  
 Contact: Phosphor Bronze C5210R-EH Thickness=0.35mm  
 Pins: Brass C2680R-H Thickness=0.35mm  
 Shield: SUS 201-1/2H Thickness=0.2mm  
 Contact plating: Gold 6 micro-inches min. In contact area.
4. Durability: 750 Mating Circles Min.
5. Wave solder tip temperature: 265°C Max, 5 Sec Max.

X:X ±0.30	APPD:	LINK-PP INT'L TECHNOLOGY CO., LIMITED
X:XX ±0.25	CHKD:	
X:XXX ±0.05	DR: TOM	TITLE: RJ45 Connector with 10/100 Base-T Integrated Magnetics
ANGLES ±1°	UNIT: mm	PART NO.: LPJ4126ABNL
	SCALE: 2/1	SHEET: 2/2
	REV: A	DWG NO.: LP09121410