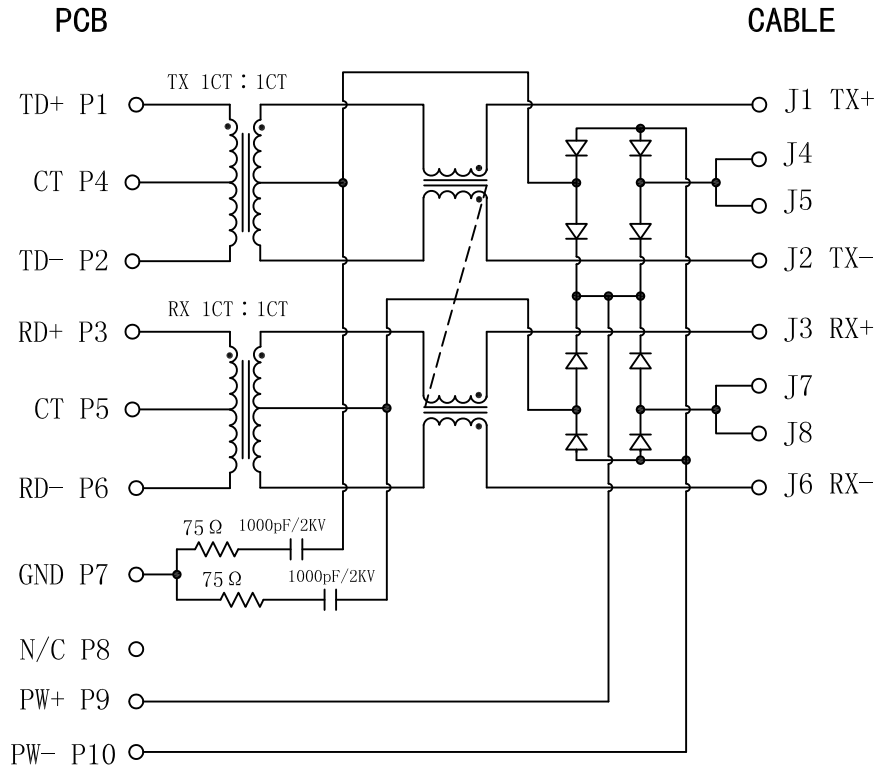


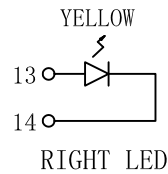
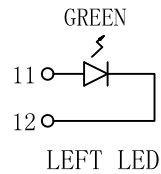
# Schematic:

REV.	ECN NO.	DESCRIPTION	DATE	APPD
A	REL		2014-07-21	



## ELECTRICAL SPECIFICATIONS @25°C

- Turn Ratio:  
 $(P1-P2 : J1-J2) = 1CT : 1CT \pm 3\%$   
 $(P3-P6 : J3-J6) = 1CT : 1CT \pm 3\%$
- OCL (100KHz, 0.1Vrms, 8mA):  
 $(P1-P2, P3-P6) \quad 350\mu H \text{ Min}$
- DCR:  
 $(P1-P2, P3-P6) \quad 0.9 \text{ OHMS Max}$
- Insertion Loss:  
 0.1-100MHz: -1.1dB Max
- Return Loss:  
 0.5-30MHz: -18dB Min  
 40MHz: -15.5dB Min  
 50MHz: -13.6dB Min  
 60-80MHz: -12dB Min
- Cross talk:  
 1-100MHz: -38dB Typ
- Common Mode Rejection:  
 0.1-30MHz: -50dB Typ  
 30-60MHz: -40dB Typ  
 60-100MHz: -30dB Typ
- Isolation: 1500Vrms
- Operating Temperature: -40°C TO +85°C.



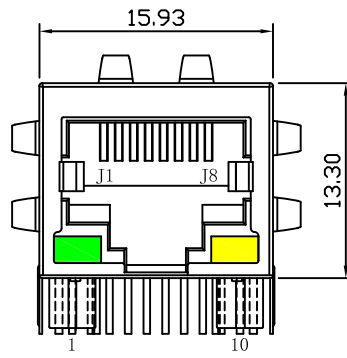
Emitting Color	$\lambda p(\text{nm})$	VF@IF=20mA	IR @VR=5V
GREEN	565	1.8~2.6V	10 $\mu$ A max
YELLOW	585	1.8~2.6V	10 $\mu$ A max



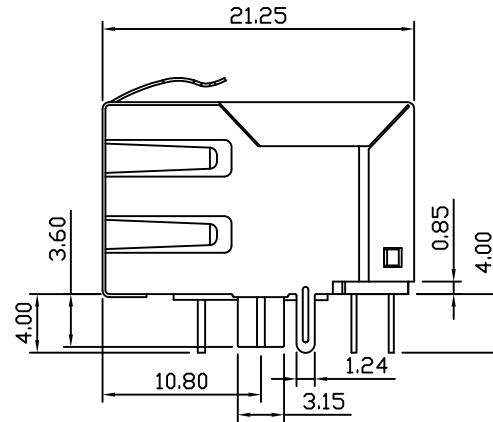
X:X	$\pm 0.30$	APPD:	LINK-PP INT'L TECHNOLOGY CO., LIMITED	
X:XX	$\pm 0.25$	CHKD:	TITLE: RJ45 Connector with 10/100 Base-T Integrated Magnetics For PoE Application	
X:XXX	$\pm 0.05$	DR: TOM	PART NO.: LPJ4112GENL	
ANGLES	$\pm 1^\circ$	UNIT: mm	DWG NO.: LP14072112	
		SCALE: 2/1	SHEET: 1/2	REV: A

# Mechanical:

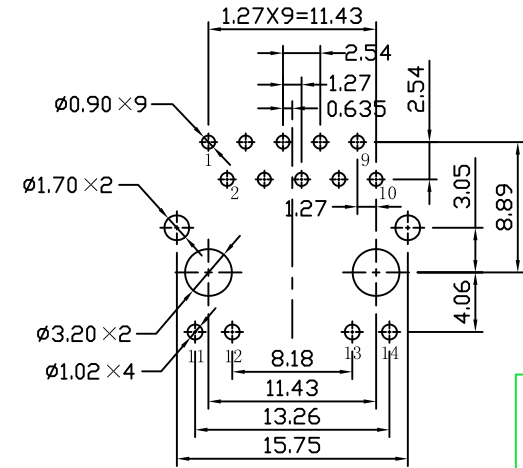
REV.	ECN NO.	DESCRIPTION	DATE	APPD
A	REL		2014-07-21	



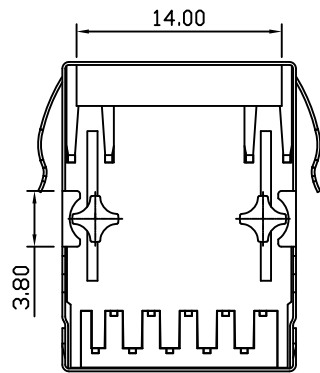
Front Side View



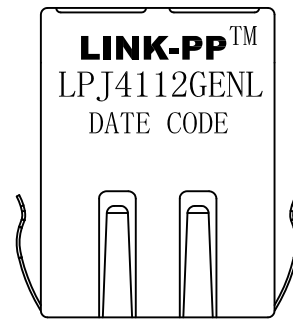
Left Side View



Suggested PCB Layout (Top View)



Bottom Side View



Top Side View

## NOTES:

1. Designed to support application, such as SOHO (ADSL modems), LAN-on-Motherboard (LOM), hub and Switches.
2. Designed for PoE, IEEE802.3af applications
3. Power on used or unused pairs for up to 350mADC.
4. Connector Materials:  
 Housing: Thermoplastic PBT+30%G.F UL94V-0  
 Contact: Phosphor Bronze C5210R-EH Thickness=0.35mm  
 Pins: Brass C2680R-H Thickness=0.35mm  
 Shield: SUS 201-1/2H Thickness=0.2mm  
 Contact plating: Gold 6 micro-inches min. In contact area.
5. Wave solder tip temperature: 265°C Max, 5 Sec Max.

X:X	±0.30	APPD:	LINK-PP INT'L TECHNOLOGY CO., LIMITED	
X:XX	±0.25	CHKD:	TITLE: RJ45 Connector with 10/100 Base-T Integrated Magnetics For PoE Application	
X:XXX	±0.05	DR: TOM	PART NO.: LPJ4112GENL	
ANGLES	±1°	UNIT: mm	DWG NO.: LP14072112	
	SCALE: 2/1	SHEET: 2/2	REV: A	