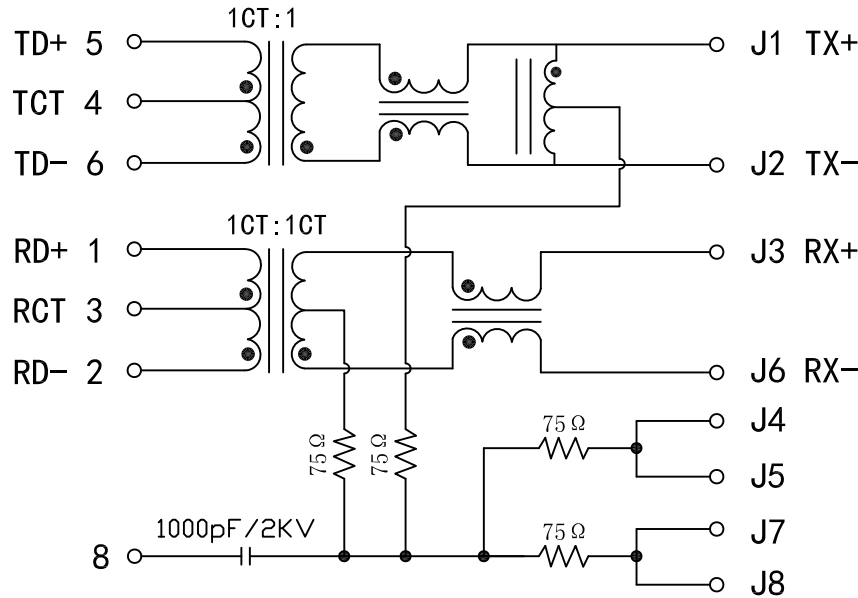


Schematic:

REV.	ECN NO.	DESCRIPTION	DATE	APPD
A	REL		2014-10-11	

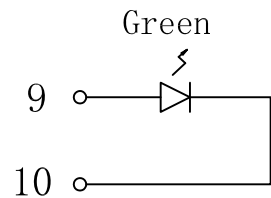
PCB CONNECTIONS



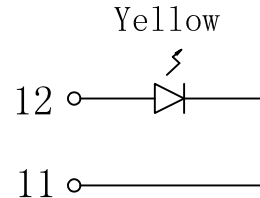
RJ45 CONNECTOR

ELECTRICAL SPECIFICATIONS @25°C

- Turn Ratio:
TX=1CT : 1 RX=1CT : 1CT
- Inductance OCL: 350uH MIN
@100KHz, 0.1Vrms, 8mA DC Bias
- Insertion Loss:
-1.1dB MAX @ 0.5~100MHz
- Return Loss:
-18dB MIN @ 0.5~30MHz
-18-20LOG(f/30)dB MIN @ 30.1~60MHz
-12dB MIN @ 60.1~80MHz
- Cross talk:
-35dB MIN @ 0.5~40MHz
-33-20LOG(f/50)dB MIN @ 40.1~100MHz
- Common Mode Rejection Ratio(CMRR):
-30dB MIN @ 0.5~100MHz
- Hipot Test: 1500Vrms MIN
- Operating Temperature Range: -40°C TO +85°C

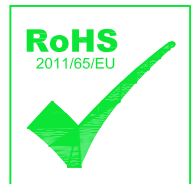


Left LED



Right LED

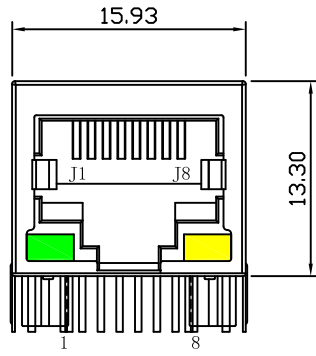
Emitting Color	λ p(nm)	VF@IF=20mA	IR @VR=5V
Green	565	1.8~2.6V	20 μ A max
Yellow	585	1.8~2.6V	20 μ A max



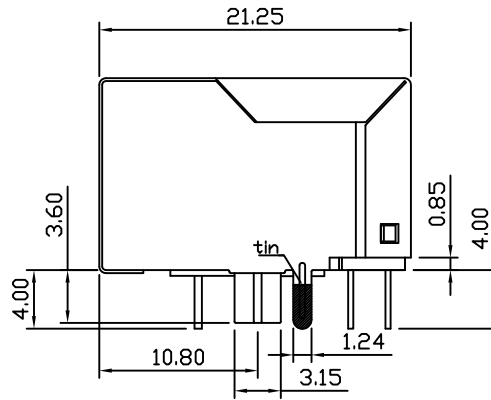
X:X ±0.30	APPD:	LINK-PP INT'L TECHNOLOGY CO., LIMITED		
X:XX ±0.25	CHKD:	TITLE: RJ45 Connector with 10/100 Base-T Integrated Magnetics		
X:XXX ±0.05	DR: TOM	PART NO.: LPJ4108HBNL		
ANGLES ±1°	UNIT: mm			
	SCALE: 2/1	SHEET: 1/2	REV: A	DWG NO.: TRC14072101

Mechanical:

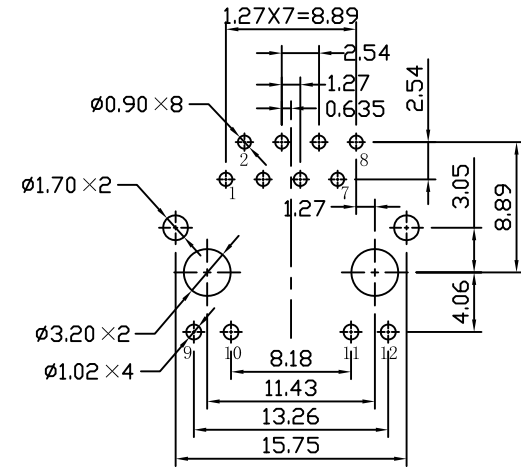
REV.	ECN NO.	DESCRIPTION	DATE	APPD
A	REL		2014-10-11	



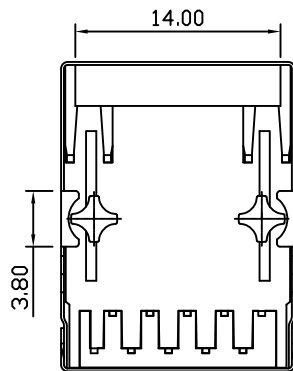
Front Side View



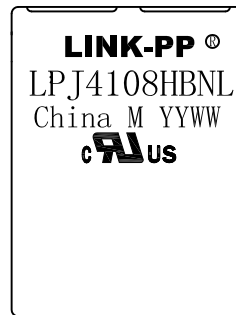
Left Side View



Suggested PCB Layout



Bottom Side View



Top Side View

NOTES:

- Meets IEEE 802.3 specification
- Connector Materials:
 Housing Material: Thermoplastic PBT+30%G.F UL94V-0
 Contact Material: Phosphor Bronze C5210R-EH Thickness=0.35mm
 Pins: Brass C2680R-H Thickness=0.35mm
 Shield: SUS S304-1/2H Thickness=0.2mm
 Contact plating: Gold 6 micro-inches min. In contact area.
- Wave solder tip temperature: 265°C Max, 5 Sec Max
- UL Certification: File Number E321120

X:X ±0.30	APPD:	LINK-PP INT'L TECHNOLOGY CO., LIMITED		
X:XX ±0.25	CHKD:			
X:XXX ±0.05	DR: TOM	TITLE: RJ45 Connector with 10/100 Base-T Integrated Magnetics		
ANGLES ±1°	UNIT: mm	PART NO.: LPJ4108HBNL		
	SCALE: 2/1	SHEET: 1/2	REV: A	DWG NO.: TRC14072101