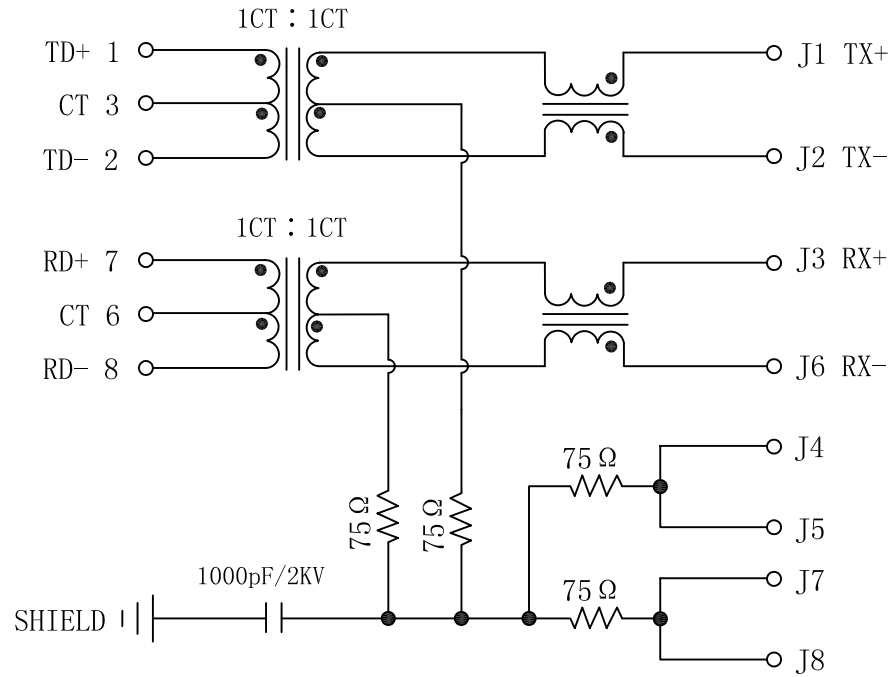


Schematic:

| REV. | ECN NO. | DESCRIPTION | DATE | APPD |
|------|---------|-------------|------------|------|
| A | REL | | 13/10/2009 | |

PCB SIDE

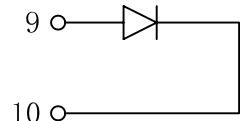


CABLE SIDE

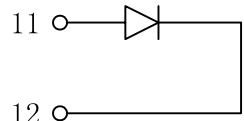
ELECTRICAL SPECIFICATIONS @25°C

- Turn Ratio($\pm 2\%$):
TX=1CT : 1CT RX=1CT : 1CT
- Inductance OCL: 350uH MIN
@100KHz/0.1V 8mA DC Bias
- Insertion Loss:
-1.0dB MAX @ 0.3-100MHz
- Return Loss(@100Ω):
-18dB MIN @ 1-30MHz
-16dB MIN @ 40MHz
-14dB MIN @ 50MHz
-12dB MIN @ 60-80MHz
- Cross talk:
-45dB MIN @ 30MHz
-40dB MIN @ 60MHz
-35dB MIN @ 100MHz
- Common Mode Rejection:
-35dB MIN @ 30MHz
-30dB MIN @ 60MHz
-25dB MIN @ 100MHz
- Hipot Test: 1500Vrms MIN
- Operating Temperature Range: -40°C TO +85°C

GREEN/LEFT LED



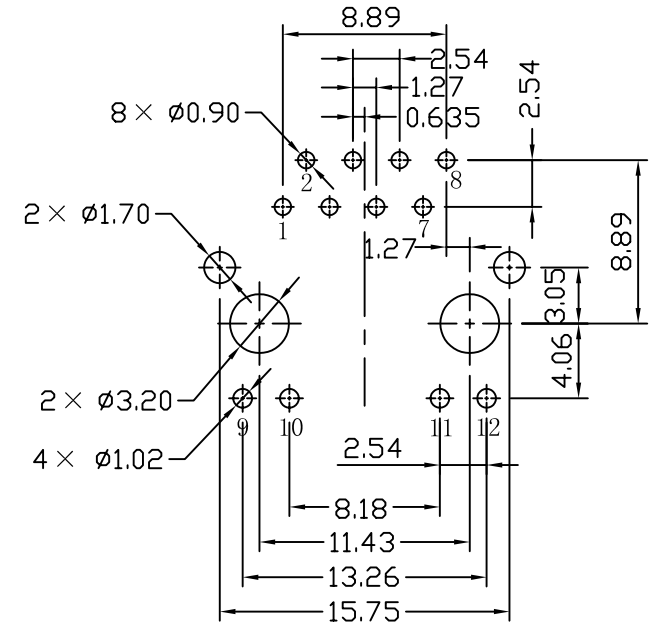
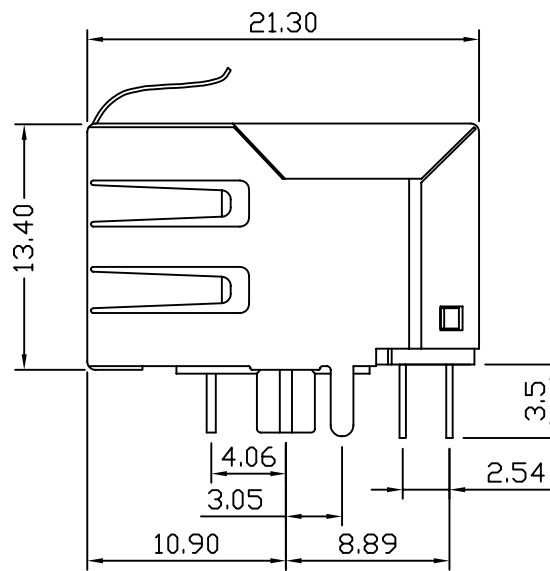
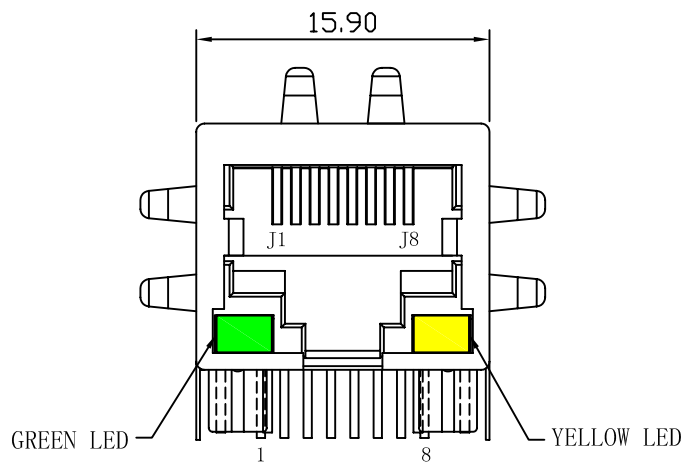
YELLOW/RIGHT LED



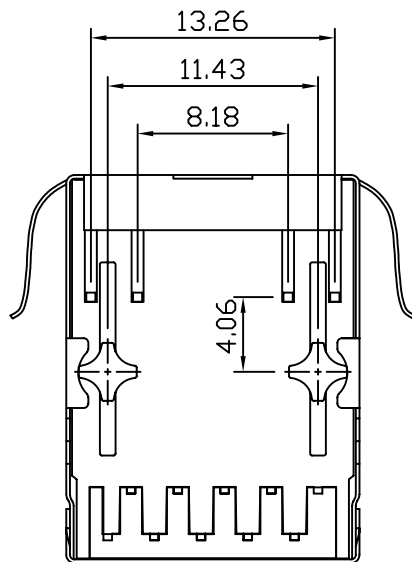
| | | | | |
|-------------|------------|---|--------|---------------------|
| X:X ±0.25 | APPD: | LINK-PP INT'L TECHNOLOGY CO., LIMITED | | |
| X:XX ±0.20 | CHKD: | TITLE: RJ45 Connector with 10/100 Base-T Integrated Magnetics | | |
| X:XXX ±0.05 | DR: TOM | PART NO.: LPJ4017GENL | | |
| ANGLES ±1° | UNIT: mm | | | |
| | SCALE: 2/1 | SHEET: 1/2 | REV: A | DWG NO.: LP09101306 |

Mechanical:

| REV. | ECN NO. | DESCRIPTION | DATE | APPD |
|------|---------|-------------|------------|------|
| A | REL | | 13/10/2009 | |

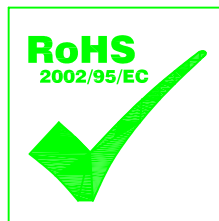


SUGGESTED PCB LAYOUT (TOP VIEW)



NOTES:

1. Designed to support application, such as SOHO (ADSL modems), LAN-on-Motherboard (LOM), hub and Switches.
2. Meets IEEE 802.3 specification
3. Connector Materials:
 Housing: Thermoplastic UL94V-0
 Contact/Shield: Copper alloy
 Shield plating: Nickel
 Contact plating: Gold 6 micro-inches min. In contact area.
4. Wave solder tip temperature: 265°C Max
 Wave solder tip temperature time: 5 Sec Max.



| | | |
|-------------|------------|---|
| X:X ±0.25 | APPD: | LINK-PP INT'L TECHNOLOGY CO., LIMITED |
| X:XX ±0.20 | CHKD: | |
| X:XXX ±0.05 | DR: TOM | |
| ANGLES ±1° | UNIT: mm | TITLE: RJ45 Connector with 10/100 Base-T Integrated Magnetics |
| | | PART NO. : LPJ4017GENL |
| | SCALE: 2/1 | SHEET: 2/2 |
| | REV: A | DWG NO. : LP09101306 |