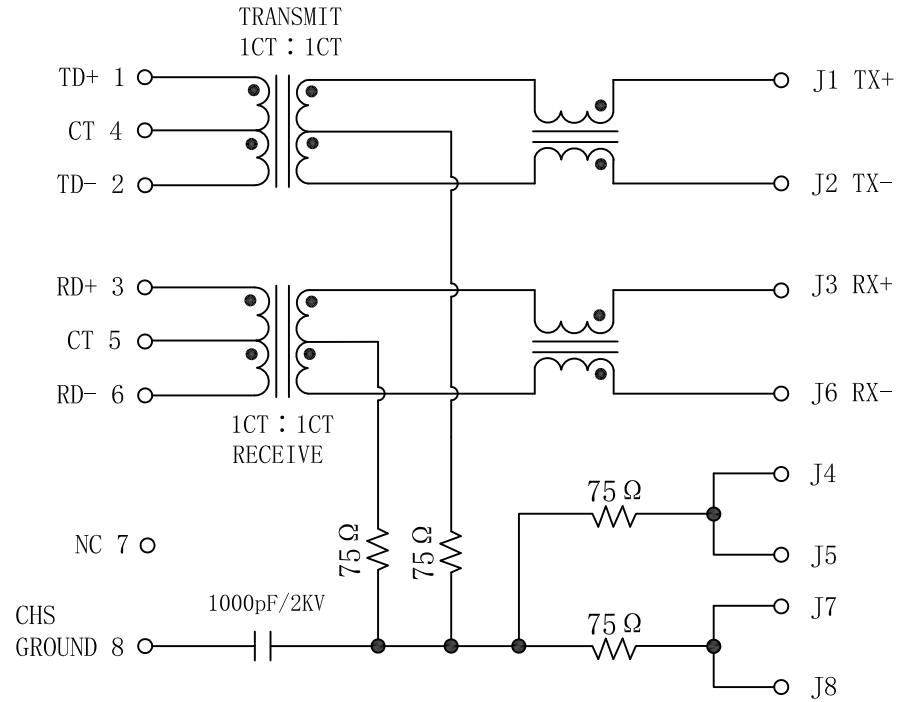


# Schematic:

REV.	ECN NO.	DESCRIPTION	DATE	APPD
A	REL		17/07/2008	

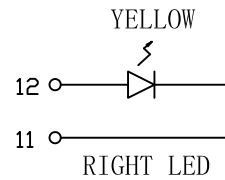
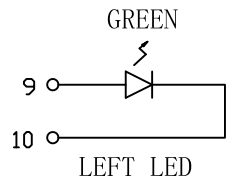
PC BOARD CONNECTIONS



RJ45 CONNECTOR

## ELECTRICAL SPECIFICATIONS: @25°C

- Turn Ratio ( $\pm 2\%$ ):  
TX=1CT : 1CT      RX=1CT : 1CT
- Inductance OCL: 350uH MIN  
@100KHz 0.1V 8mA DC Bias
- Insertion Loss:  
-1.0dB MAX @ 1.0-100MHz
- Return Loss:  
-18dB MIN @ 1-30MHz  
-15dB MIN @ 30-60MHz  
-12dB MIN @ 60-80MHz  
-10dB MIN @ 80-100MHz
- Cross talk:  
-40dB MIN @ 30MHz  
-35dB MIN @ 60MHz  
-30dB MIN @ 100MHz
- Common Mode Rejection:  
-40dB MIN @ 30MHz  
-35dB MIN @ 60MHz  
-30dB MIN @ 100MHz
- Hipot: 1500Vrms
- Operating Temperature Range: -40°C TO +85°C.



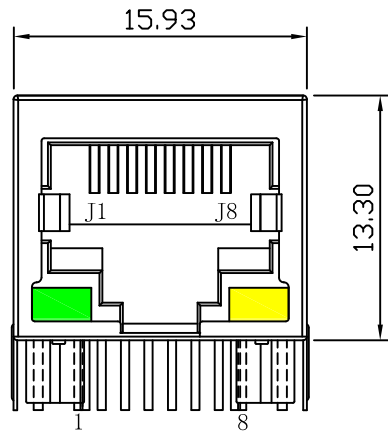
Emitting Color	$\lambda$ p(nm)	V <sub>F</sub> @I <sub>F</sub> =20mA	I <sub>R</sub> @V <sub>R</sub> =5V
GREEN	565	1.8~2.6V	10 $\mu$ A max
YELLOW	585	1.8~2.6V	10 $\mu$ A max



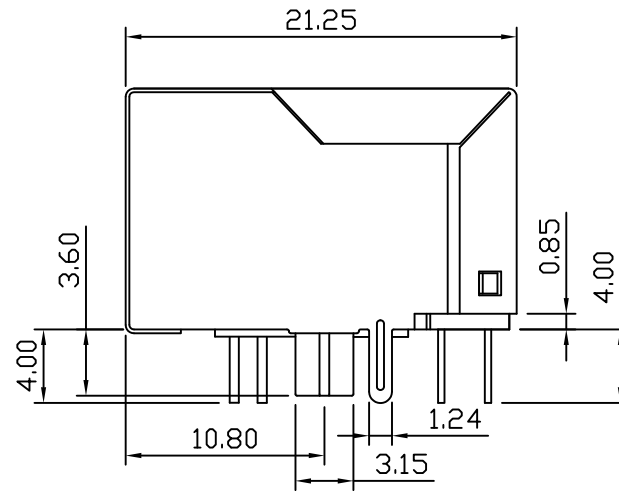
X:X	$\pm 0.30$	APPD:	LINK-PP INT'L TECHNOLOGY CO., LIMITED
X:XX	$\pm 0.25$	CHKD:	
X:XXX	$\pm 0.05$	DR: TOM	TITLE: RJ45 Connector with 10/100 Base-T Integrated Magnetics
ANGLES	$\pm 1^\circ$	UNIT: mm	PART NO.: LPJ4011BBL
	SCALE: 2/1	SHEET: 1/2	REV: A      DWG NO.: LP08121248

# Mechanical:

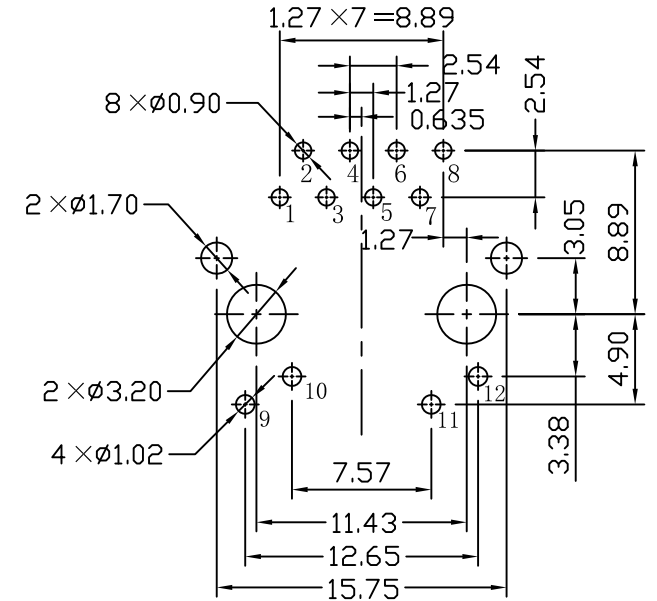
REV.	ECN NO.	DESCRIPTION	DATE	APPD
A	REL		12/12/2008	



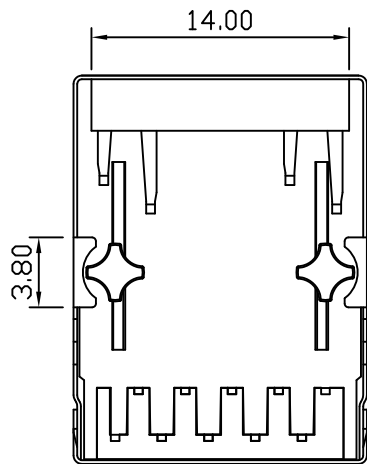
Front Side View



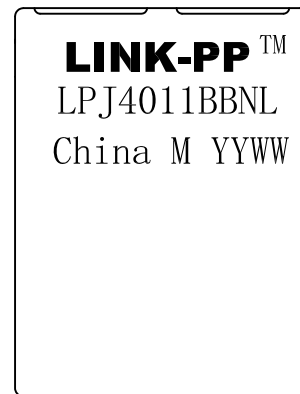
Left Side View



Suggested PCB Layout (Top View)



Bottom Side View



Top Side View

### NOTES:

1. Designed to support application, such as SOHO (ADSL modems), LAN-on-Motherboard (LOM), hub and Switches.
2. Meets IEEE 802.3 specification
3. Connector Materials:  
 Housing: Thermoplastic PBT+30%G.F UL94V-0  
 Contact: Phosphor Bronze C5210R-EH Thickness=0.35mm  
 Pins: Brass C2680R-H Thickness=0.35mm  
 Shield: SUS 201-1/2H Thickness=0.2mm  
 Contact plating: Gold 6 micro-inches min. In contact area.
4. Wave solder tip temperature: 265°C Max, 5 Sec.
5. UL Certification: File Number E484635.

X:X ±0.30	APPD:	LINK-PP INT'L TECHNOLOGY CO., LIMITED
X:XX ±0.25	CHKD:	
X:XXX ±0.05	DR: TOM	TITLE: RJ45 Connector with 10/100 Base-T Integrated Magnetics
ANGLES ±1°	UNIT: mm	PART NO.: LPJ4011BBNL
	SCALE: 2/1	SHEET: 2/2
	REV: A	DWG NO.: LP08121248