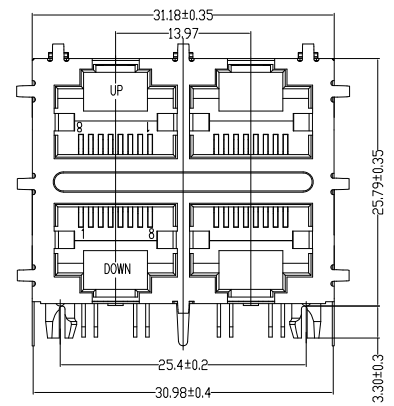
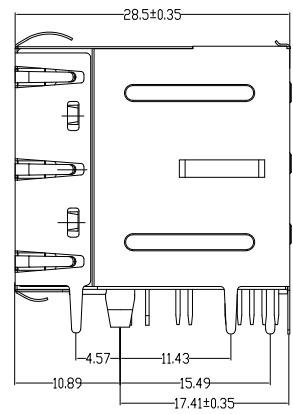


Mechanical:

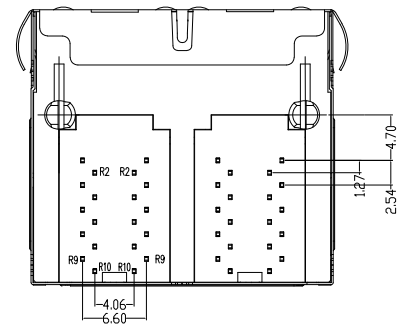
REV.	ECN NO.	DESCRIPTION	DATE	APPD
A	REL		2015-02-02	



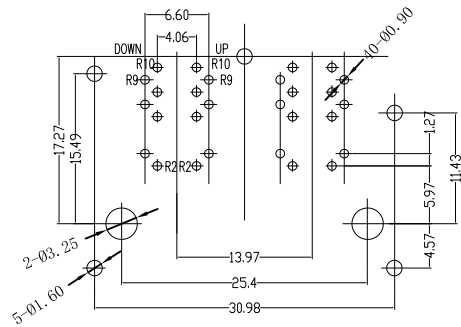
Front Side View



Left Side View



Bottom Side View



Suggested PCB Layout

NOTES:

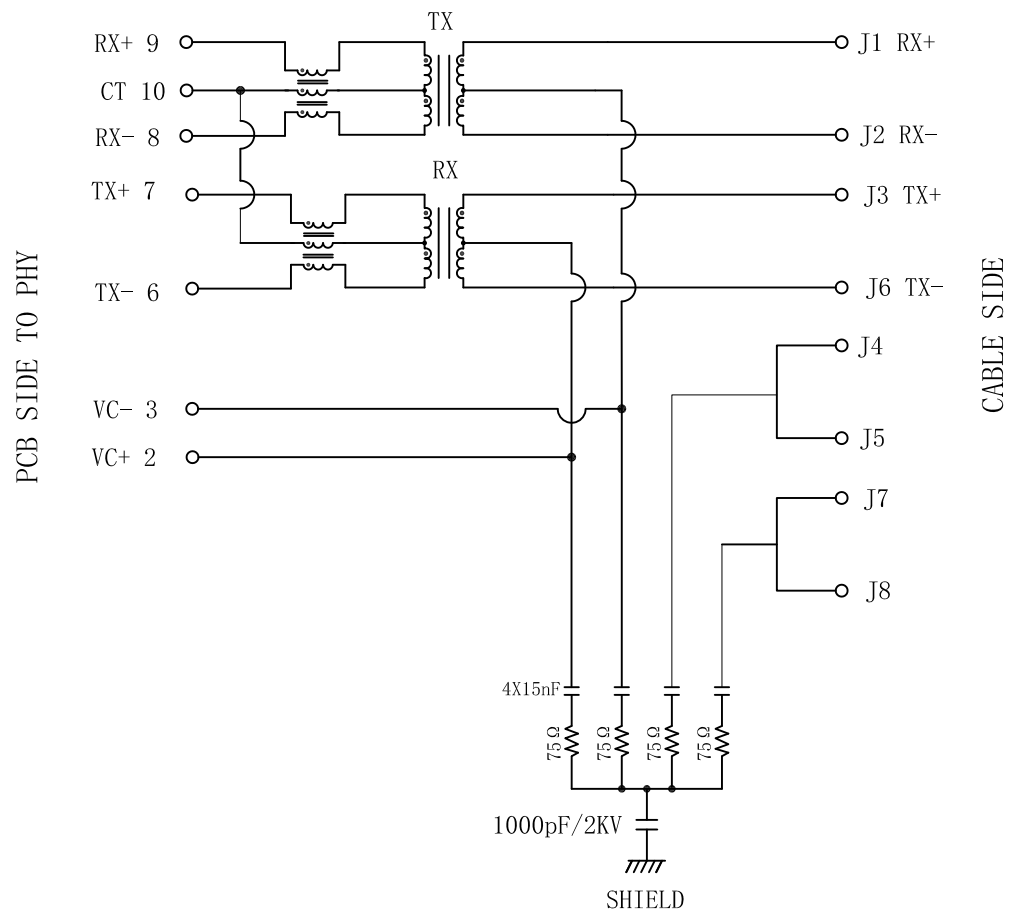
- 1.Meets IEEE 802.3af specification
- 2.Connector Materials:  
 Housing Material:Thermoplastic PA66+30%G.F UL94V-0  
 Contact Material:Phosphor Bonze C5210R-EH Thickness=0.35mm  
 Pins:Brass C2680R-H Thickness=0.35mm  
 Shield: Copper alloy Brass H65Y Thickness=0.20mm  
 Shield plating: Nickel  
 Contact plating: Gold 6 micro-inches min.In contact area.
- 3.Wave solder tip temperature: 265°C Max, 5 Sec Max



X:X ±0.30	APPD:	LINK-PP INT'L TECHNOLOGY Co., LIMITED		
X:XX ±0.25	CHKD:	TITLE: 2*2 RJ45 Connector with 10/100 Base-T Integrated Magnetics For PoE Application		
X:XXX ±0.05	DR: FRANK	PART NO. : LPJ27499CNL		
ANGLES ±1°	UNIT: mm	REV: A		
	SCALE: 2/1	SHEET: 2/2	REV: A	DWG NO. : LPC15020206

Schematic:

REV.	ECN NO.	DESCRIPTION	DATE	APPD
A	REL		2015-02-03	



ELECTRICAL SPECIFICATIONS @25°C

- Turn Ratio ( $\pm 3\%$ ):  
TX=1CT:1CT      RX=1CT:1CT
- Inductance OCL:  
350uH MIN @ 100KHz 0.1V 8mA DC Bias
- Insertion Loss:  
-1.0dB MAX @ 1-100MHz
- Return Loss:  
-18dB MIN @ 1-30MHz  
-15dB MIN @ 30-60MHz  
-12dB MIN @ 60-100MHz
- Cross talk:  
-40dB MIN @ 1-30MHz  
-35dB MIN @ 30-60MHz  
-30dB MIN @ 60-100MHz
- Common Mode Rejection:  
-30dB MIN @ 1-100MHz
- Hipot Test: 1500Vrms
- Operating Temperature Range: -40°C TO +85°C



X:X $\pm 0.30$	APPD:	LINK-PP INT'L TECHNOLOGY Co., LIMITED		
X:XX $\pm 0.25$	CHKD:	TITLE: 2*2 RJ45 Connector with 10/100 Base-T Integrated Magnetics For PoE Application		
X:XXX $\pm 0.05$	DR: FRANK	PART NO. : LPJ27499CNL		
ANGLES $\pm 1^\circ$	UNIT: mm	DWG NO. : LPC15020206		
	SCALE: 2/1	SHEET: 1/2	REV: A	