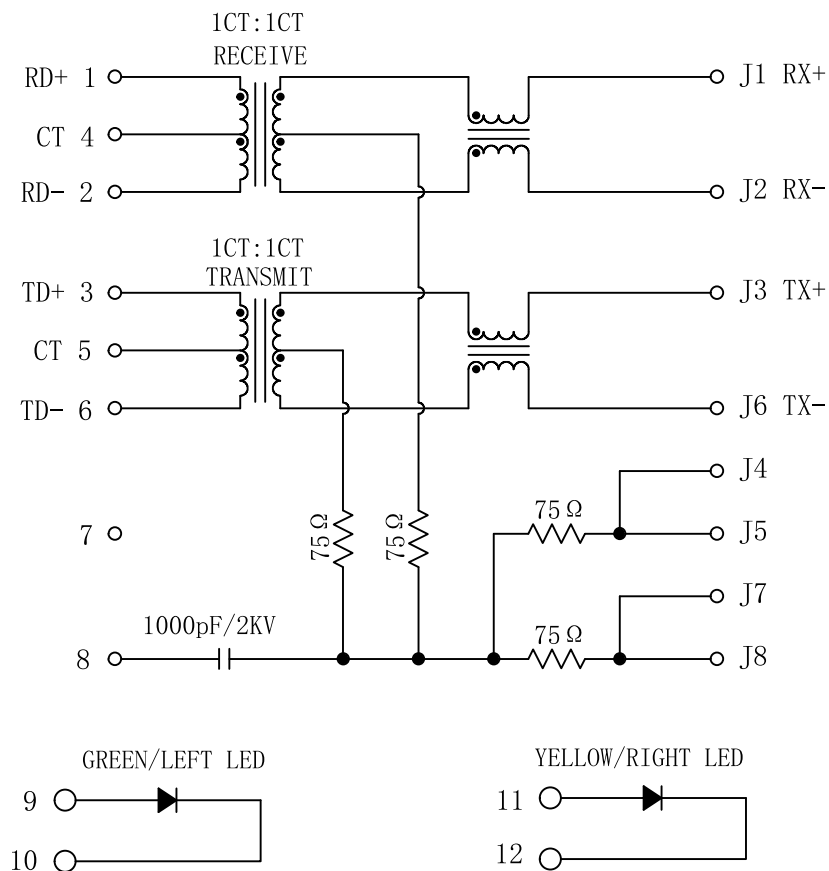


Schematic:

REV.	ECN NO.	DESCRIPTION	DATE	APPD
A	REL		2011/05/28	

PC BOARD CONNECTIONS



RJ45 CONNECTOR

Electrical Specifications: @25°C

- Turns Ratio ($\pm 2\%$):
TX=1CT:1CT RX=1CT:1CT
- Return Loss(dB Min):
1-10MHz:-18 30MHz:-16
60-100MHz:-12
- Crosstalk:
1-100MHz:-30dB Min
- Insertion Loss:
1-100MHz:-1.2dB Max
- CMR:
1-50MHz:-30dB Min
50-130MHz:-20dB Min
- 350uH min OCL with 8mA bias current.
- Isolation Voltage:1500V
- Operating Temperature:-40°C - +85°C

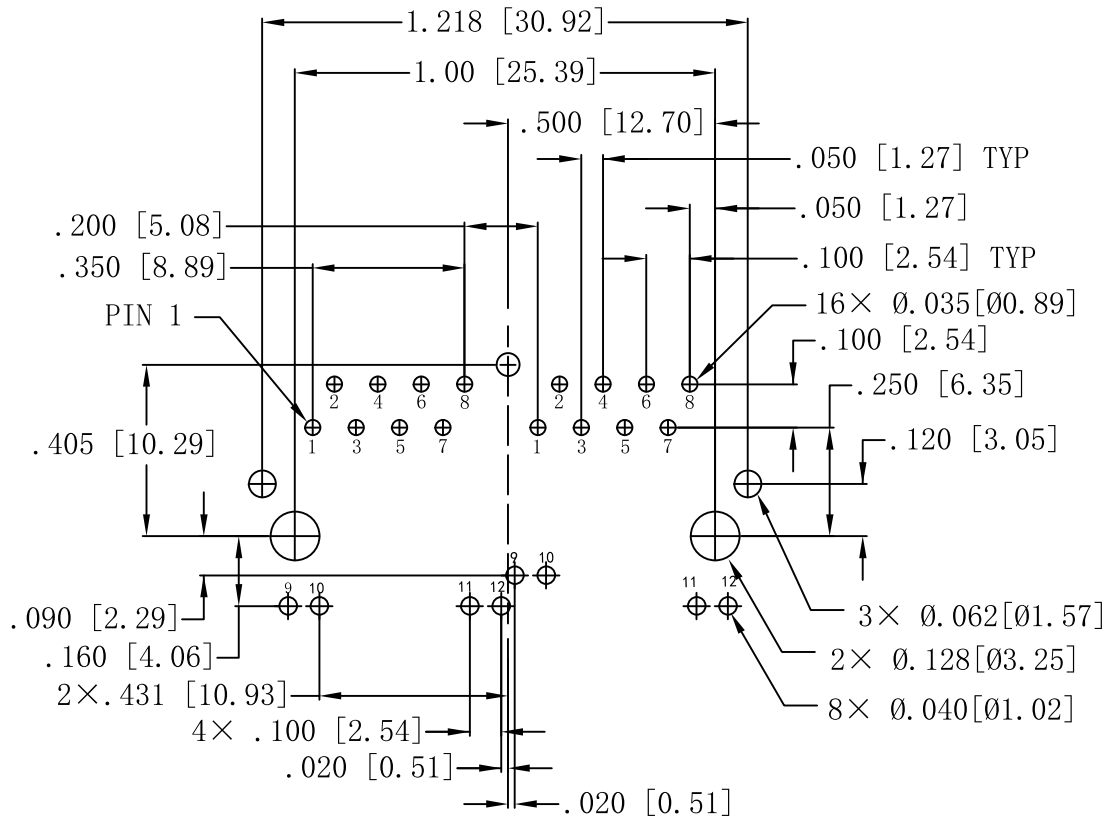
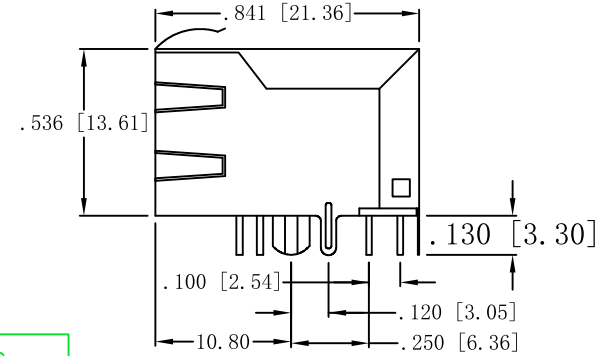
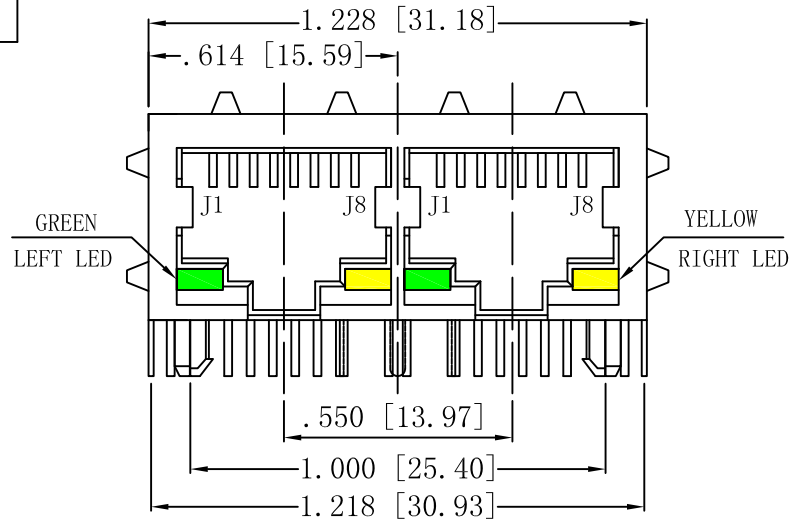
Emitting Color	λ p(nm)	VF@IF=20mA	IR @VR=5V
GREEN	565	1.8~2.6V	10 μ A max
YELLOW	585	1.8~2.6V	10 μ A max



X:X	± 0.20	APPD:	LINK-PP INT'L TECHNOLOGY CO., LIMITED
X:XX	± 0.10	CHKD:	
X:XXX	± 0.05	DR: C. H. Y	<i>Title:</i> RJ45 Connector With 10/100 Base-TX Integrated Magnetic
ANGLES	$\pm 1^\circ$	UNIT: Inches/mm	PART NO.: LPJ26404-8AENL
	SCALE: 2/1	SHEET: 2/2	REV: A DWG: LP10052407

Mechanical :

REV.	ECN NO.	DESCRIPTION	DATE	APPD
A	REL		2011/05/28	



SUGGESTED PCB LAYOUT (TOP VIEW)

NOTES:

1. Designed to support application, such as SOHO (ADSL modems), LAN-on-Motherboard (LOM), hub and Switches.
2. Meets IEEE 802.3 specification
3. Connector Materials:
 Housing: Thermoplastic PBT+30%G.F UL94V-0
 Contact: Phosphor Bronze C5210R-EH Thickness=0.35mm
 Pins: Brass C2680R-H Thickness=0.35mm
 Shield: SUS 201-1/2H Thickness=0.2mm
 Contact plating: Gold 30 micro-inches min. In contact area.
4. Wave solder tip temperature: 265°C Max, 5 Sec Max
5. UL Certification: File Number E484635

X:X	± 0.20	APPD:	LINK-PP INT'L TECHNOLOGY CO., LIMITED	
X:XX	± 0.10	CHKD:	<i>Title:</i> RJ45 Connector With 10/100 Base-TX Integrated Magnetic	
X:XXX	± 0.05	DR: C. H. Y		
ANGLES	± 1°	UNIT: Inches/mm	PART NO.: LPJ26404-8AENL	
	SCALE: 2/1	SHEET: 1/2	REV: A	DWG: LP10052407