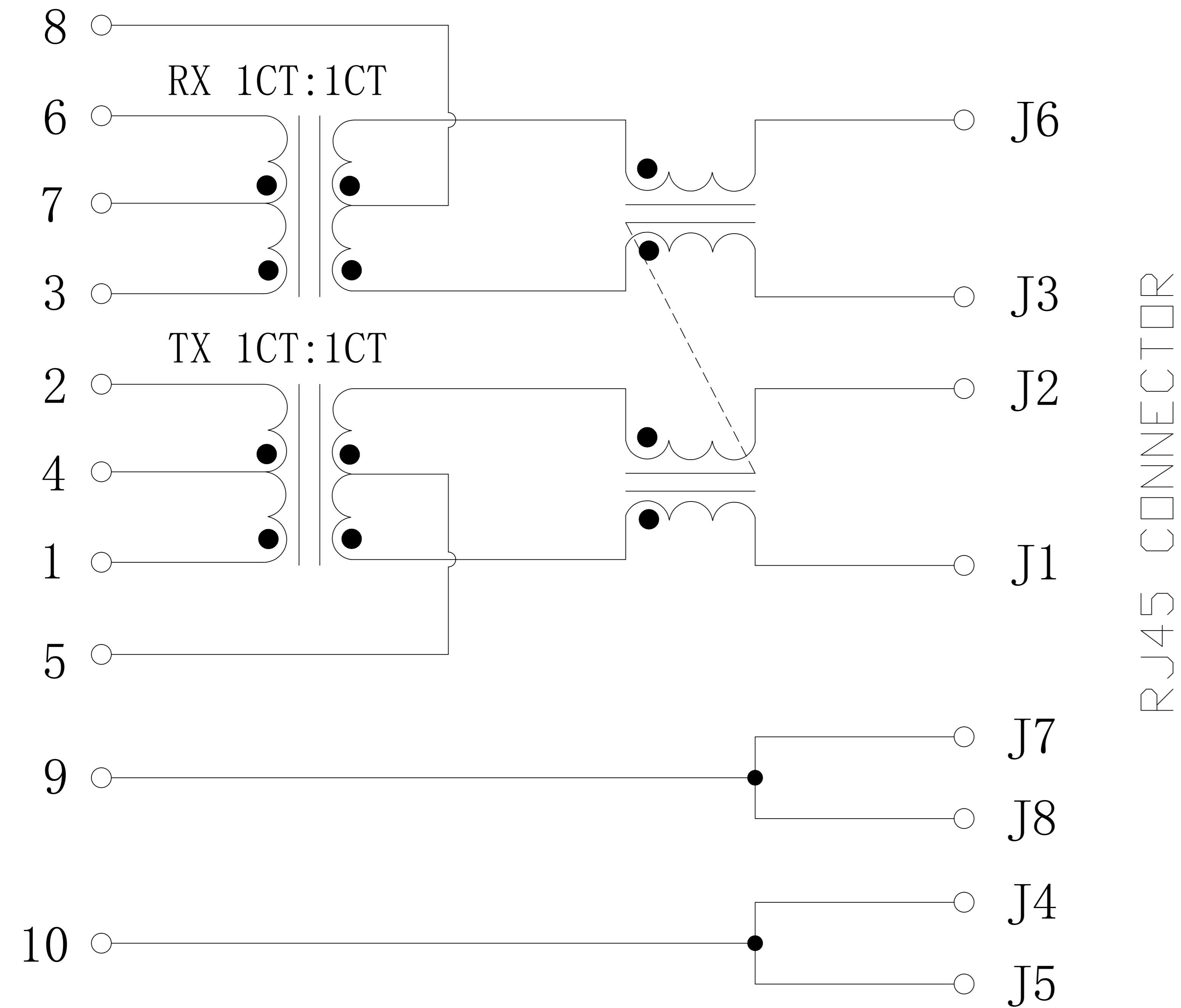


Schematic:

REV.	ECN NO.	DESCRIPTION	DATE	APPD
A	REL		2022-04-06	

PC BOARD CONNECTIONS



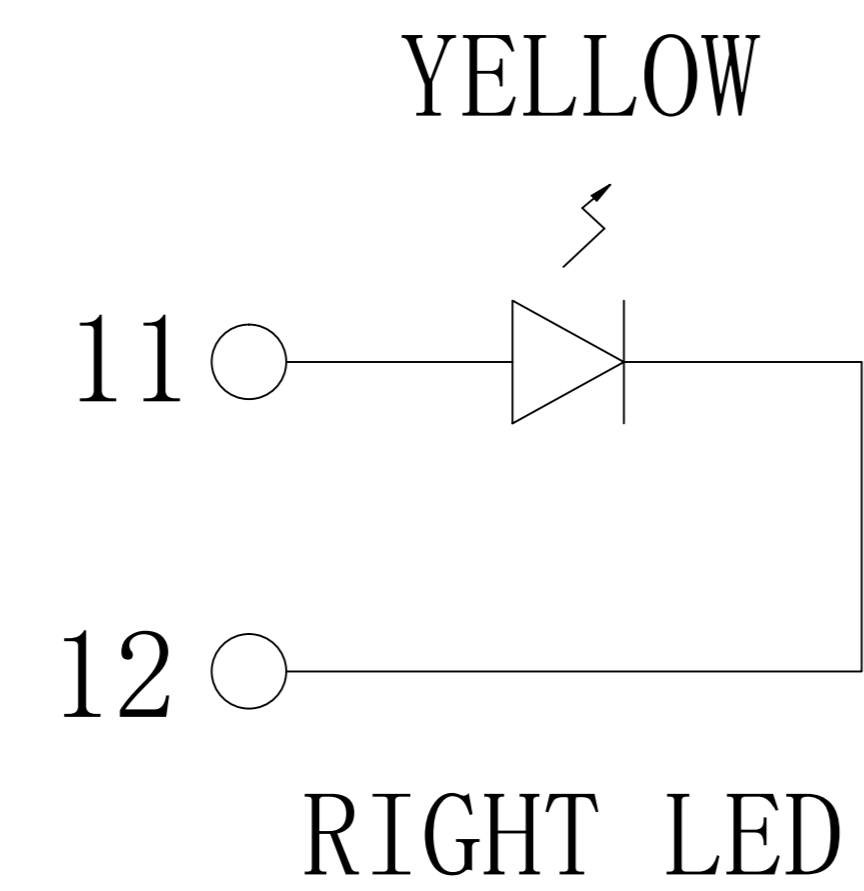
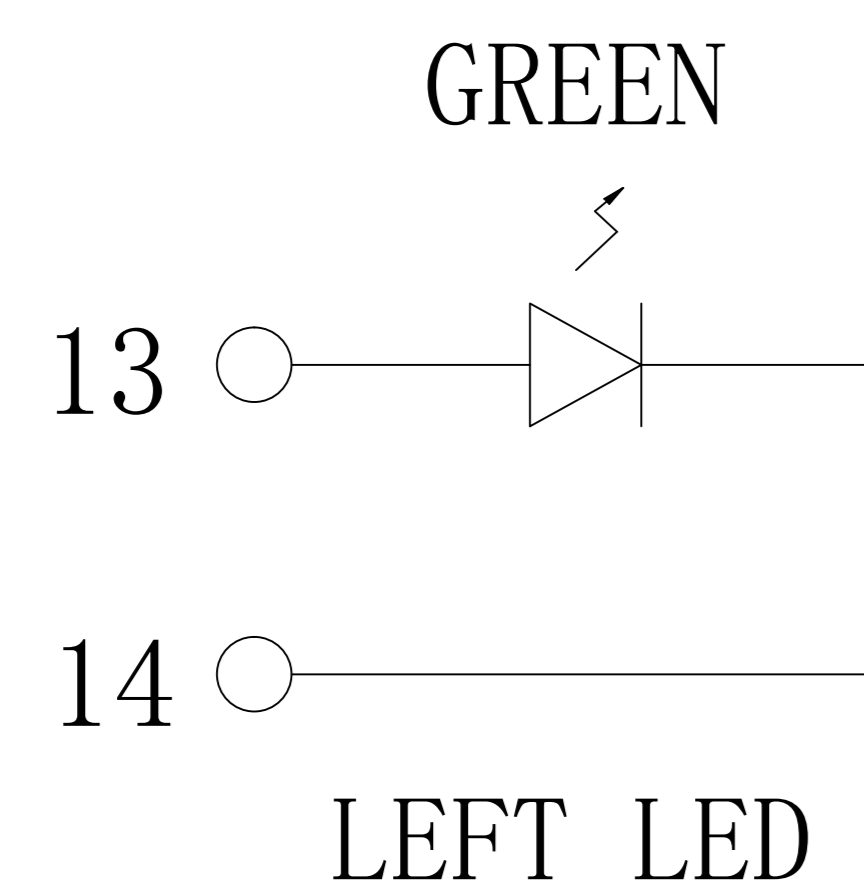
RJ45 CONNECTOR

Electrical Specifications @25°C

- Turns Ratio ($\pm 3\%$):
TX = 1CT:1CT RX = 1CT:1CT
- OCL (@100KHz, 0.1V, 8mA DC Bias):
350uH MIN
- Insertion Loss:
1~100MHz: -1.2dB MAX
- Return Loss (dB MIN):
1~30MHz: -40 40MHz: -14
50MHz: -13 60~80MHz: -12
- Crosstalk (dB MIN):
30MHz: -43 60MHz: -37
100MHz: -33
- Differential Common Mode Rejection (dB MIN):
30MHz: -50 60MHz: -43
100MHz: -35
- DC Current: 350mA
- Hipot Test: 2000VDC (Input to Output)
- Operating Temperature: -40°C ~ 85°C.



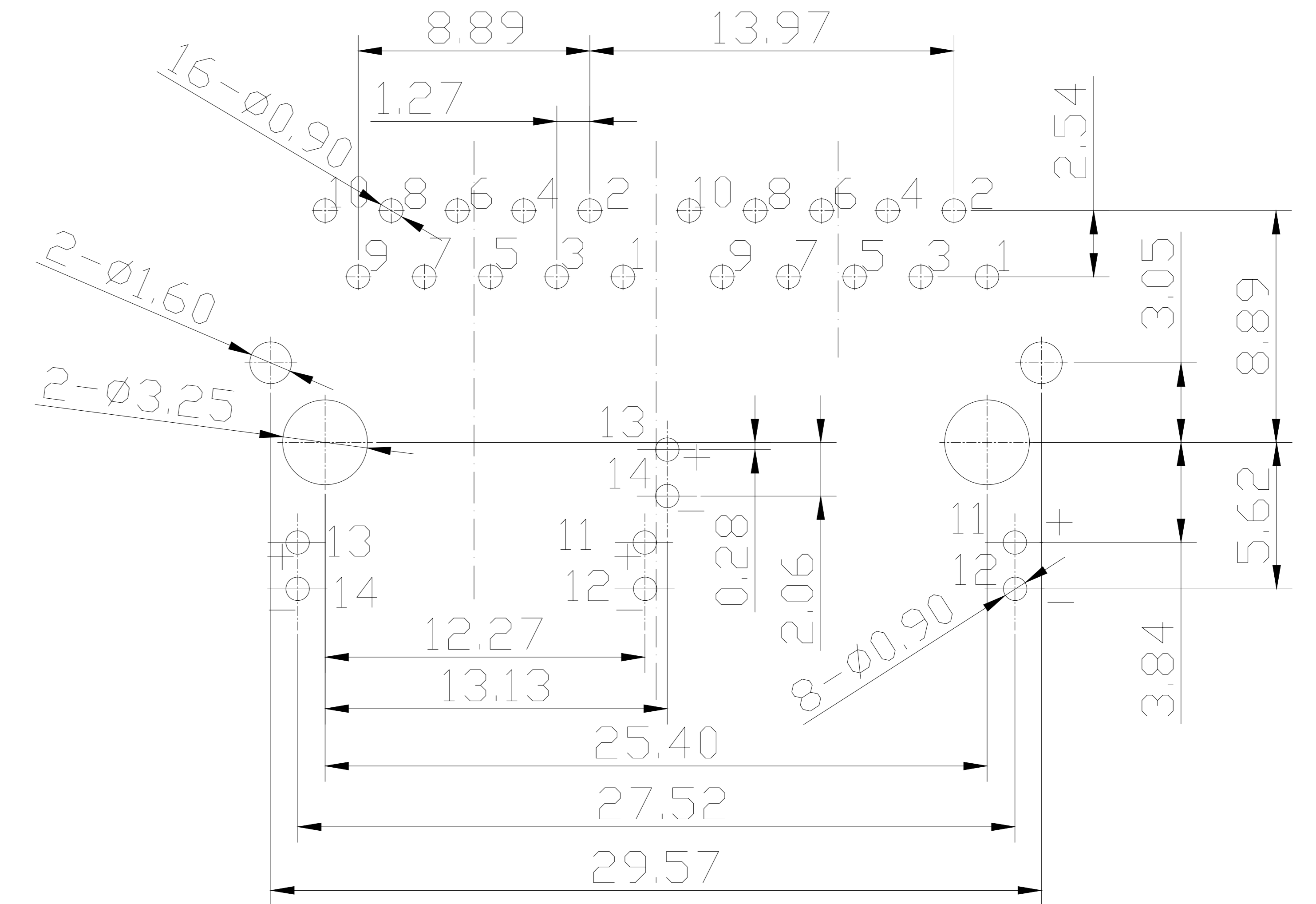
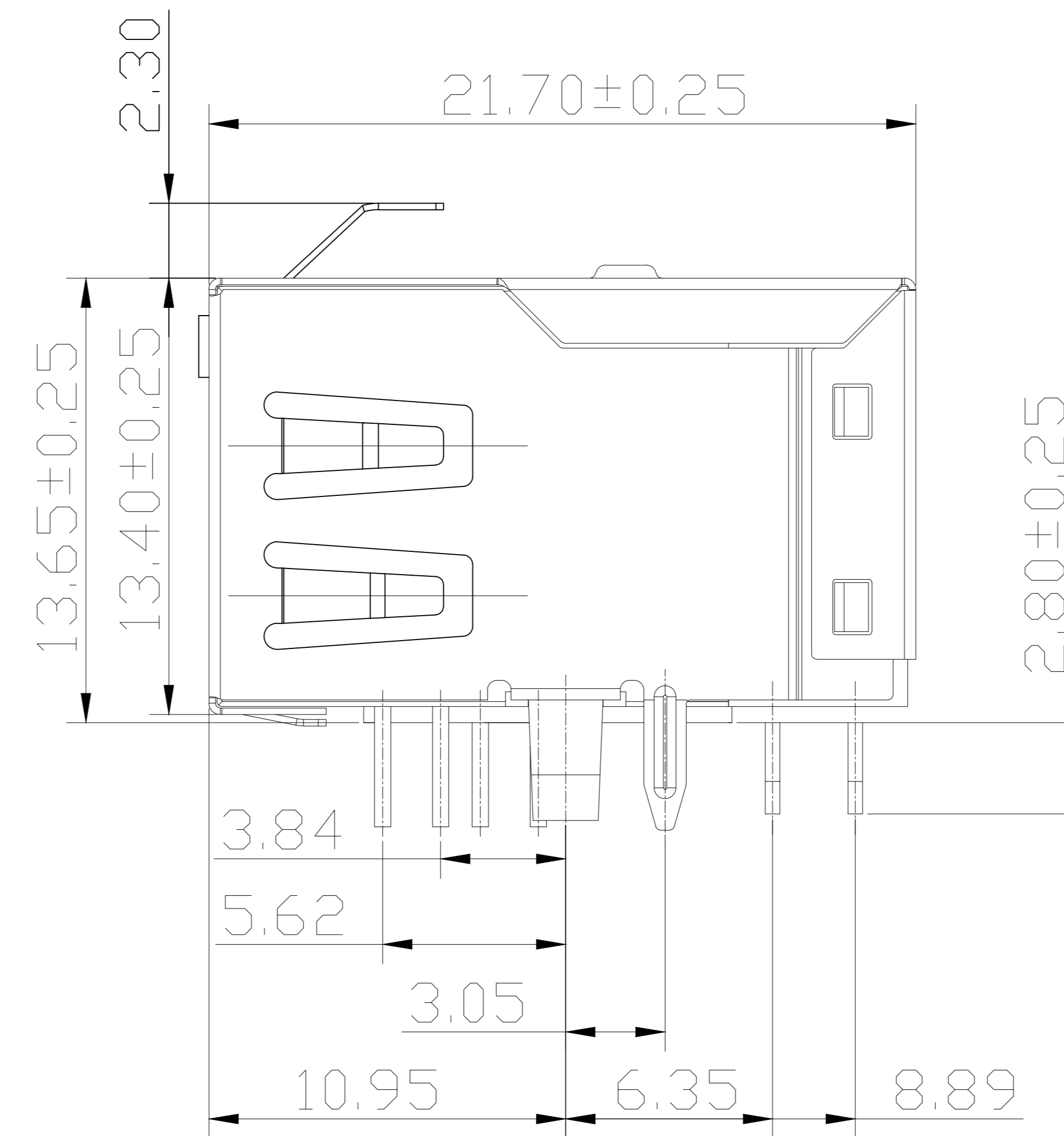
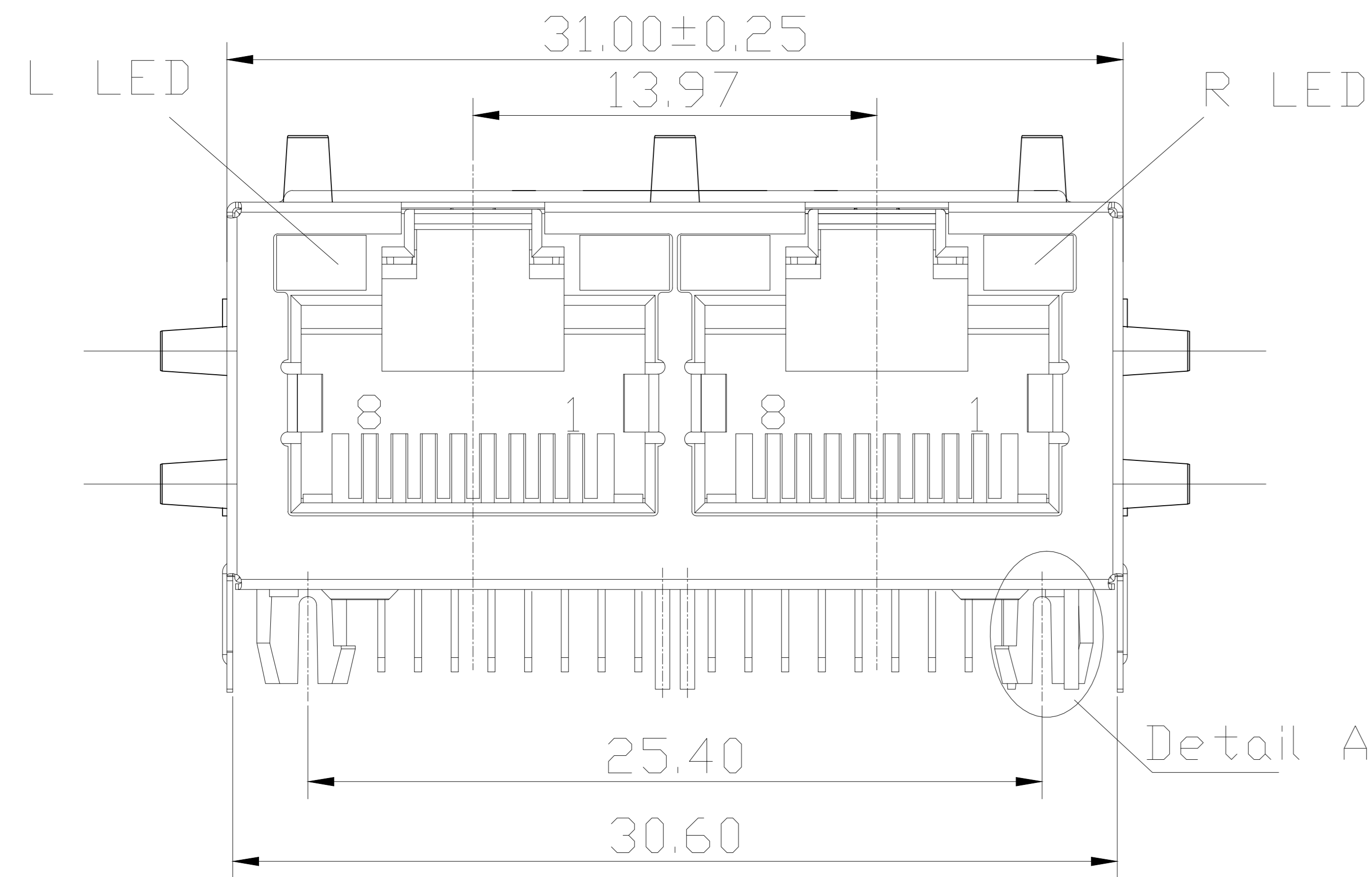
Emitting Color	λ_p (nm)	V _F @I _F =20mA	I _R @V _R =5V
GREEN	565	1.8~2.6V	10 μ A max
YELLOW	585	1.8~2.6V	10 μ A max



X:X ± 0.30	APPD:	LINK-PP INT'L TECHNOLOGY CO., LIMITED	
X:XX ± 0.25	CHKD:	TITLE: 1*2 RJ45 Connector with 10/100 Base-T Integrated Magnetics For PoE Application	
X:XXX ± 0.05	DR: TOM		
ANGLES $\pm 1^\circ$	UNIT: mm	PART NO.: LPJ23204AENL	
	SCALE: 2/1	SHEET: 1/2	REV: A DWG NO.: LP22040610

Mechanical:

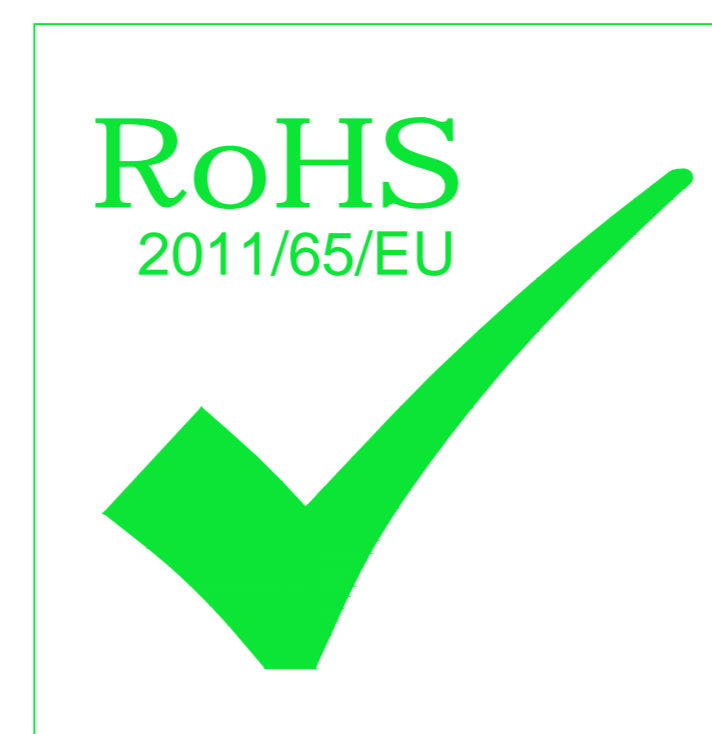
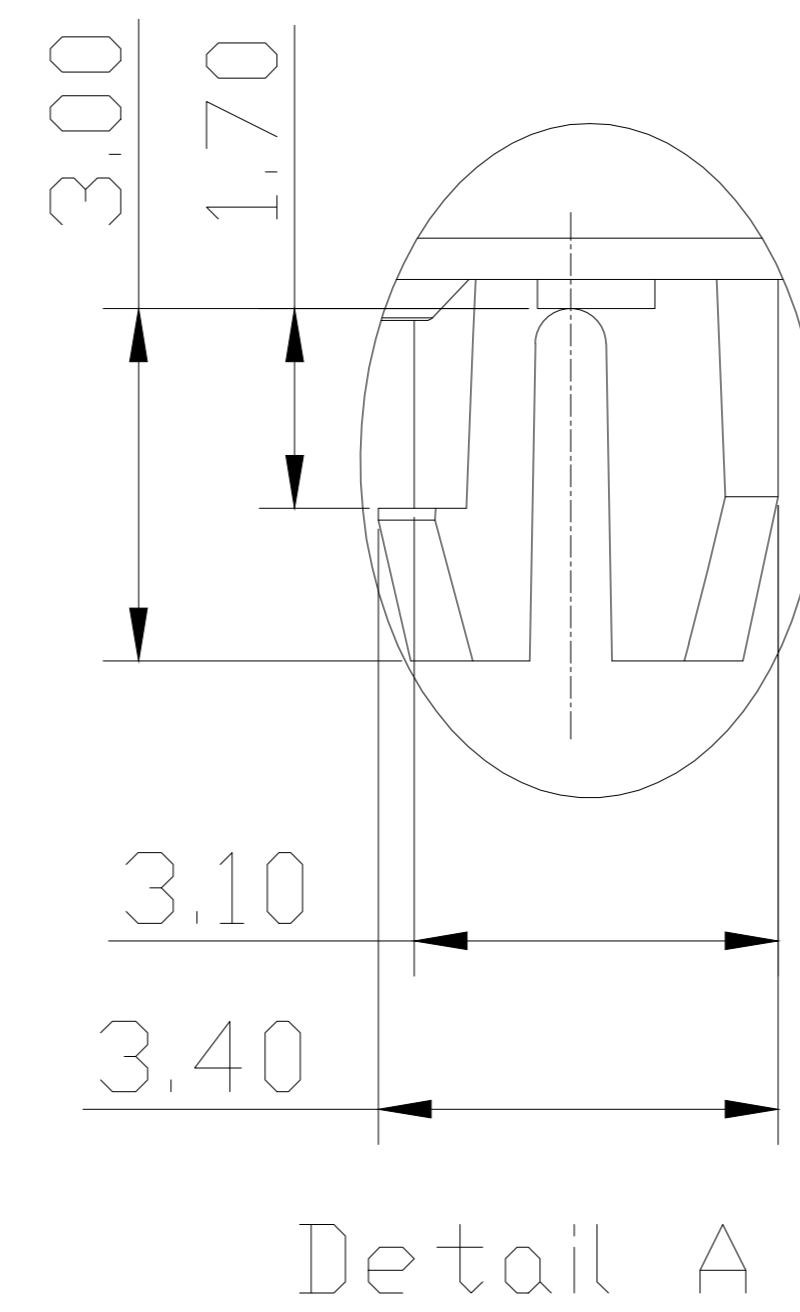
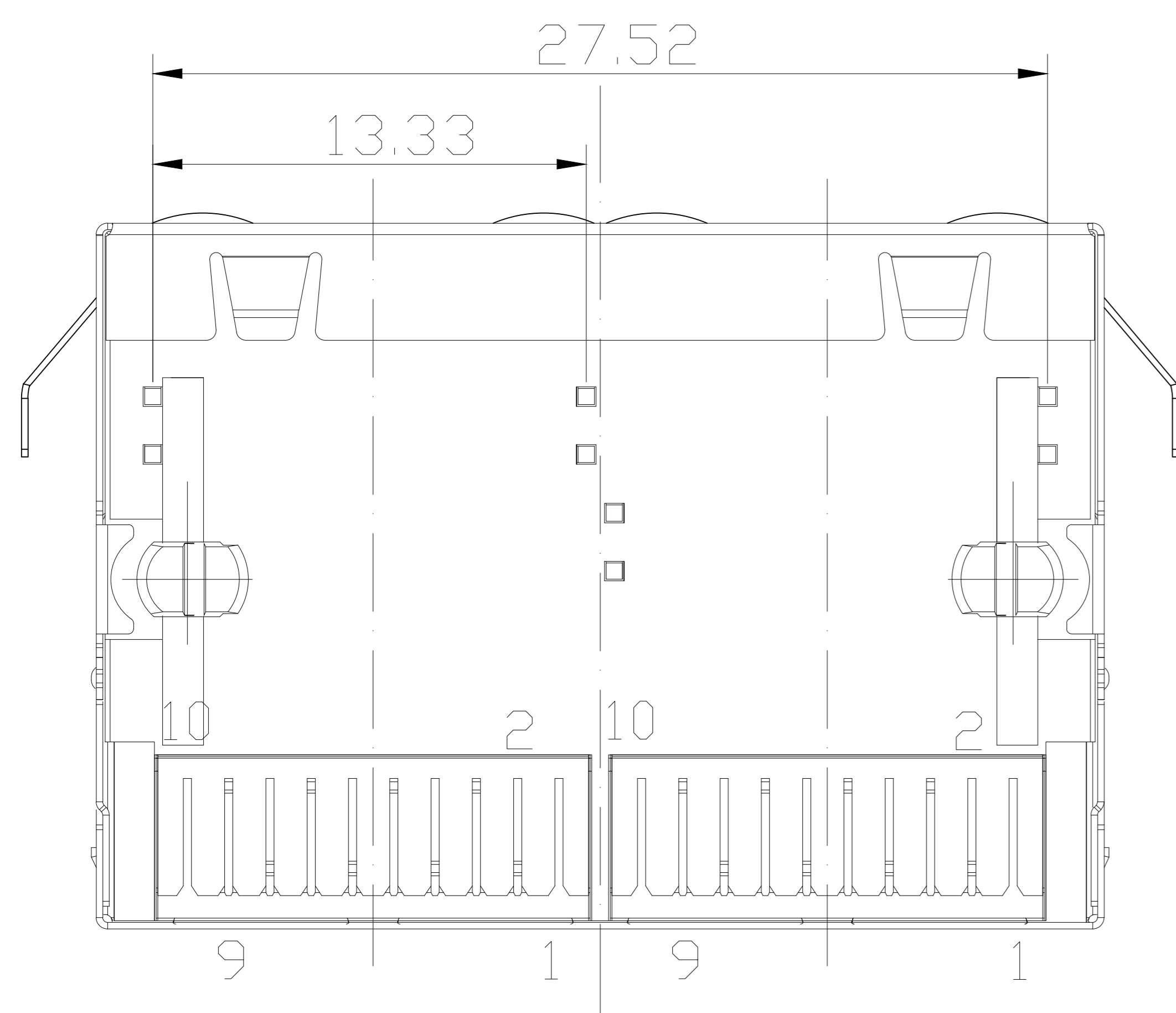
REV.	ECN NO.	DESCRIPTION	DATE	APPD
A	REL		2022-04-06	



Suggested PCB Layout (Top View)

NOTES:

1. Designed to support application, such as SOHO (ADSL modems), LAN-on-Motherboard (LOM), hub and Switches.
2. Meets IEEE 802.3af specification
3. Connector Materials:
 Housing: Thermoplastic UL94V-0, color:black
 Contact: Phosphor Bronze C5210R-EH Thickness=0.35mm
 Pins: Brass C2680R-H Thickness=0.35mm
 Shield: SUS 201-1/2H Thickness=0.2mm
 Contact plating: Gold 6 micro-inches min. In contact area.
4. Wave solder tip temperature: 250°C, 5 Sec.
5. UL Certification: File Number E484635.



X:X ±0.30	APPD:	LINK-PP INT'L TECHNOLOGY CO., LIMITED
X:XX ±0.25	CHKD:	
X:XXX ±0.05	DR: TOM	TITLE: 1*2 RJ45 Connector with 10/100 Base-T Integrated Magnetics For PoE Application
ANGLES ±1°	UNIT: mm	PART NO.: LPJ23204AENL
	SCALE: 2/1	SHEET: 2/2
	REV: A	DWG NO.: LP22040610