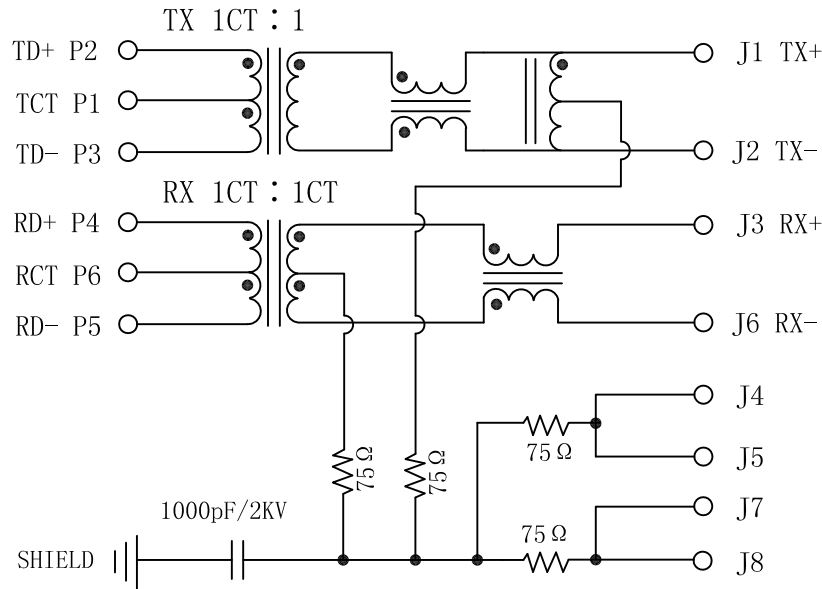


Schematic:

REV.	ECN NO.	DESCRIPTION	DATE	APPD
A	REL		2015/12/25	

PC BOARD CONNECTIONS



RJ45 CONNECTOR

Electrical Specifications @25°C

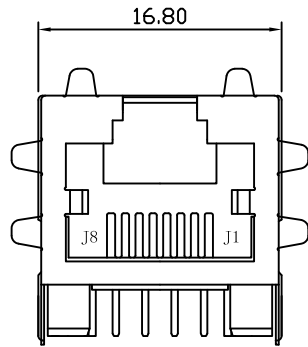
- Turns Ratio ($\pm 2\%$):
TX=1CT : 1 RX=1CT : 1CT
- Inductance (100KHz/0.1V@8mA):
350uH MIN
- Insertion Loss:
0.1-100MHz:-1.0dB MAX
- Return Loss (dB MIN):
1-30MHz:-20
30-60MHz:-15
60-80MHz:-10
- Crosstalk (dB MIN):
1-30MHz:-20
30-60MHz:-15
60-100MHz:-30
- Common To Common Mode Rejection:
1-100MHz:-30dB MIN
- Hi-Pot: 1500VAC For 60 Seconds MIN
- Operating Temperature Range: 0°C~70°C.



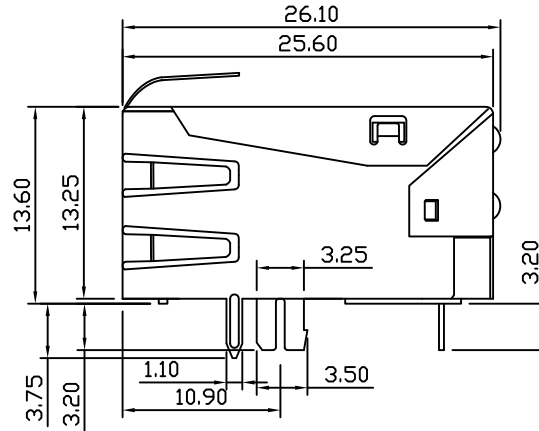
X:X	±0.30	APPD:	LINK-PP INT'L TECHNOLOGY CO., LIMITED
X:XX	±0.25	CHKD:	
X:XXX	±0.05	DR: TOM	TITLE: RJ45 Connector with 10/100 Base-TX Integrated Magnetic
ANGLES	±1°	UNIT: mm	PART NO.: LPJ2030CNL
	SCALE: 2/1	SHEET: 1/2	REV: A DWG NO.: LP15122501

Mechanical:

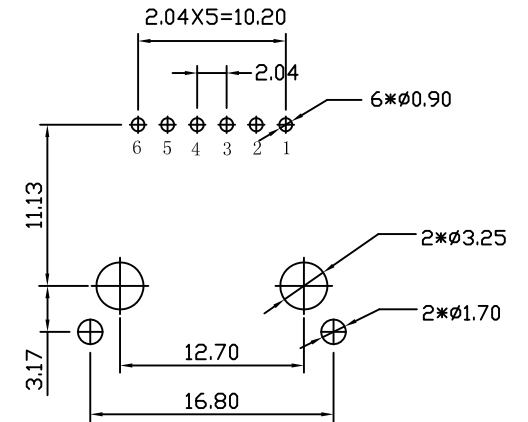
REV.	ECN NO.	DESCRIPTION	DATE	APPD
A	REL		2015/12/25	



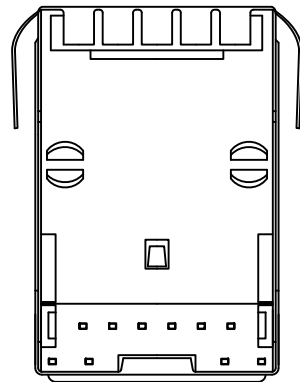
Front Side View



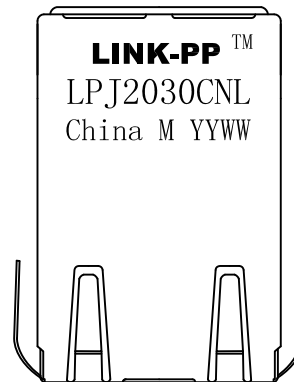
Left Side View



Suggested PCB Layout (Top View)



Bottom Side View



Top Side View

NOTES:

1. Designed to support application, such as SOHO (ADSL modems), LAN-ON-Motherboard (LOM), hub and Switches.
2. Meets IEEE 802.3 specification
3. Connector Materials:
 Housing Material: Thermoplastic PA66+30%G.F UL94V-0
 Contact Material: Phosphor Bronze C5210R-EH Thickness=0.35mm
 Pins: Brass C2680R-H Thickness=0.35mm
 Contact plating: Gold 6 micro-inches min. In contact area.
4. Wave solder tip temperature: 265°C Max, 5 Sec Max

X:X	±0.30	APPD:	LINK-PP INT'L TECHNOLOGY CO., LIMITED	
X:XX	±0.25	CHKD:		
X:XXX	±0.05	DR: TOM	TITLE: RJ45 Connector with 10/100 Base-TX Integrated Magnetic	
ANGLES	±1°	UNIT: mm	PART NO.: LPJ2030CNL	
	SCALE: 2/1	SHEET: 2/2	REV: A	DWG NO.: LP15122501