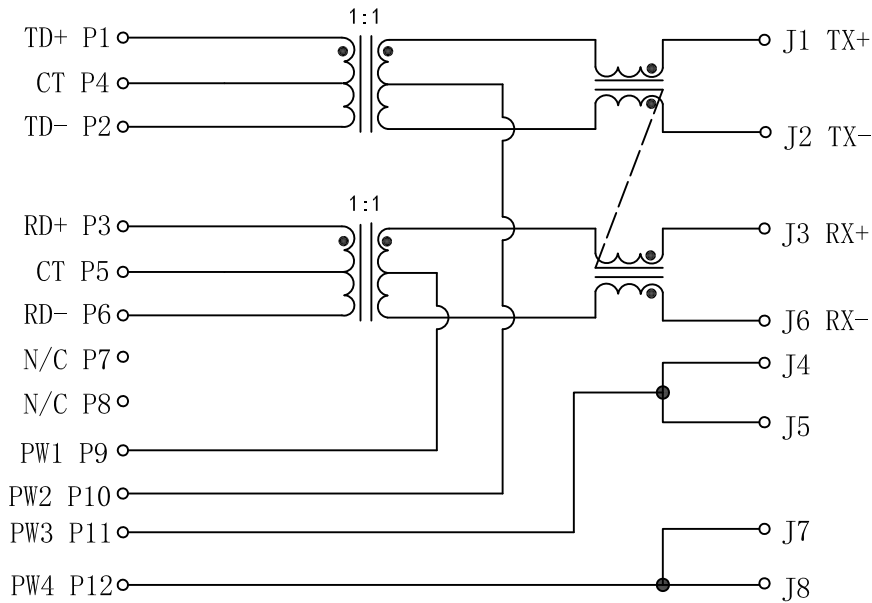


Schematic:

REV.	ECN NO.	DESCRIPTION	DATE	APPD
A	REL		2016/04/27	

PCB CONNECTIONS



RJ45 CONNECTOR

Electrical Specifications @25°C

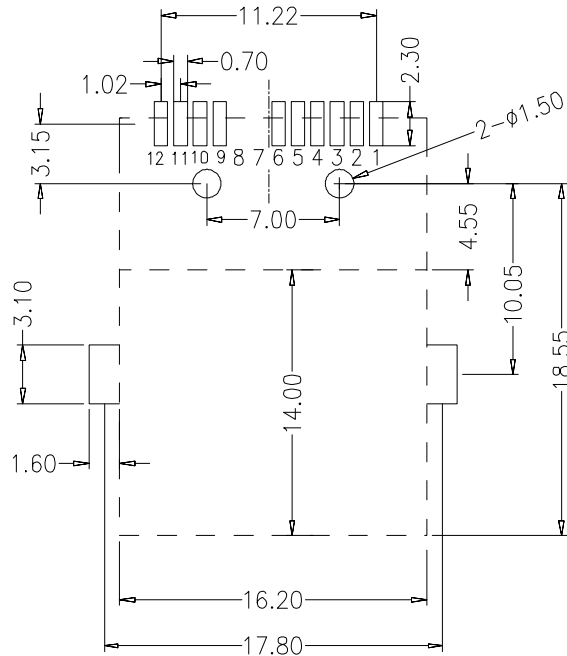
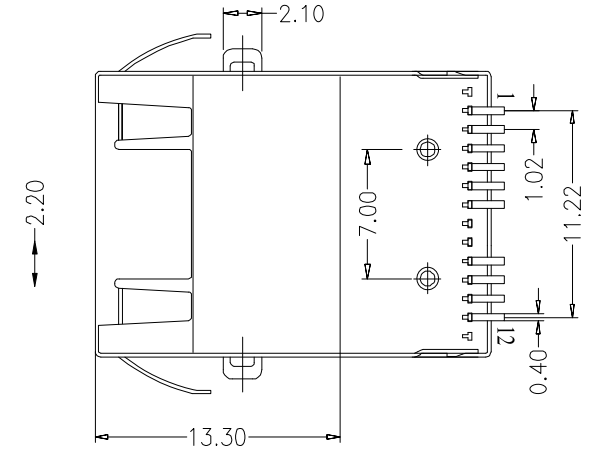
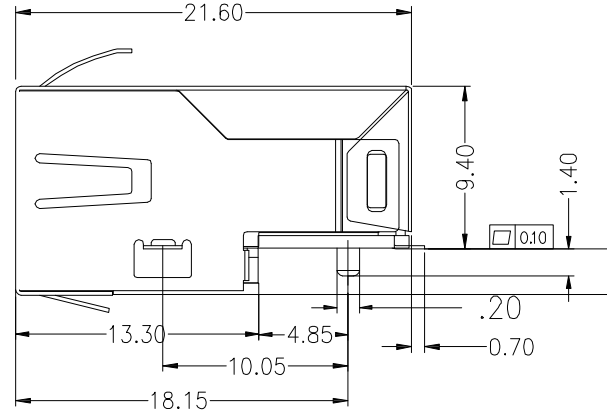
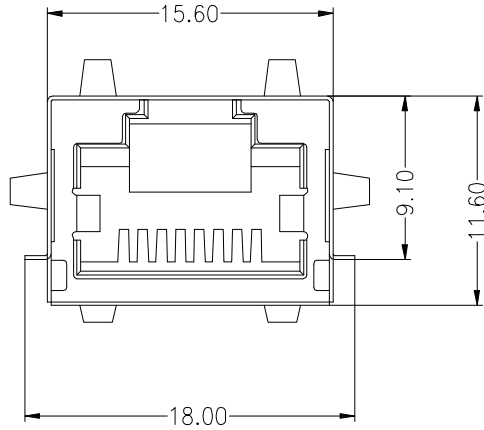
- Turns Ratio:
TX=1CT:1CT RX=1CT:1CT
- OCL: 350uH MIN
@100KHz, 100mVrms, 8mA DC Bias
- Insertion Loss:
1~100MHz:-1.0dB MAX
- Return Loss (dB MIN@100±15Ω):
1~30MHz:-16 40MHz:-14
50MHz:-12 60~80MHz:-10
- Crosstalk (dB MIN):
20MHz:-47 40MHz:-40
60MHz:-37 80MHz:-35
100MHz:-33
- Differential to Common Mode Rejection:
1~100MHz:-33dB MIN
- CMRR:
1~100MHz:-30dB MIN
- Hipot: 1500Vrms MIN
- Operating Temperature range: -40°C~+85°C.
- Storage Temperature range: -55°C~+125°C.



X:X	±0.30	APPD:	LINK-PP INT'L TECHNOLOGY CO., LIMITED	
X:XX	±0.25	CHKD:	TITLE: Surface Mount 1×1 Tab-Up Jack With 10/100 Magnetic SMT For PoE Application	
X:XXX	±0.10	DR: TOM	PART NO.: LPJ19960CNL	
ANGLES	±1°	UNIT: mm		
	SCALE: 2/1	SHEET: 1/2	REV: A	DWG NO.: 1p16042701

Mechanical :

REV.	ECN NO.	DESCRIPTION	DATE	APPD
A	REL		2016/04/27	



SUGGESTED PCB LAYOUT (TOP VIEW)

NOTES:

1. Designed to support application, such as SOHO (ADSL modems), LAN-on-Motherboard (LOM), hub and Switches.
2. Meets IEEE 802.3af specification
3. Connector Materials:
Housing: Thermoplastic UL94V-0
Contact/Shield: Copper alloy
Shield plating: Nickel
RJ-45 Contact plating: Gold 6 micro-inches min. In contact area
4. Wave solder tip temperature and time: 265°C MAX, 5 Sec MAX.



X:X	±0.30	APPD:	LINK-PP INT'L TECHNOLOGY CO., LIMITED	
X:XX	±0.25	CHKD:	TITLE: Surface Mount 1×1 Tab-Up Jack With 10/100 Magnetic SMT For PoE Application	
X:XXX	±0.10	DR: TOM	PART NO.: LPJ19960CNL	
ANGLES	±1°	UNIT: mm	DWG NO.: 1p16042701	
		SCALE: 2/1	SHEET: 2/2	REV: A