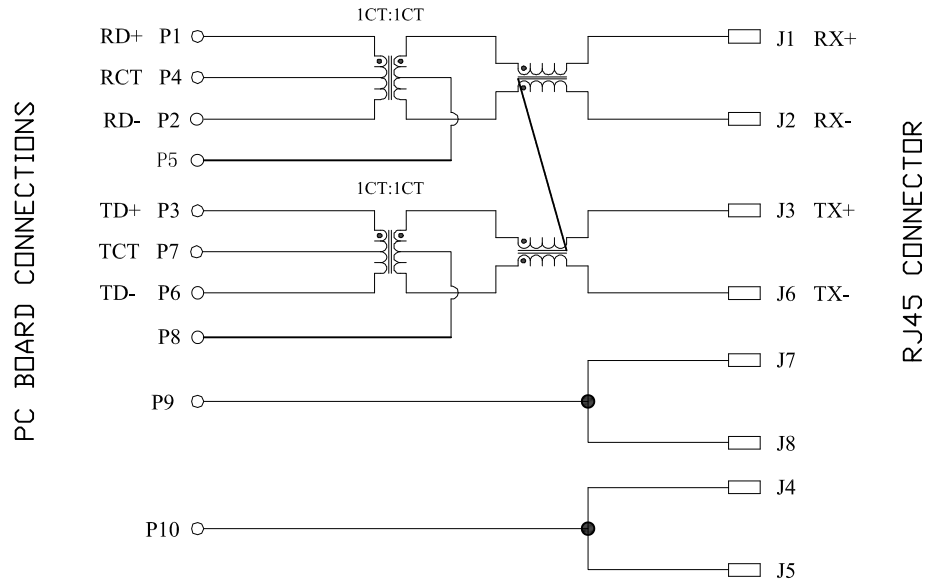


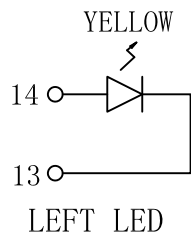
# Schematic:

REV.	ECN NO.	DESCRIPTION	DATE	APPD
A	REL		2016-06-22	

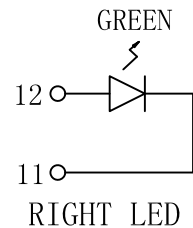


## Electrical Specifications @ 25°C

- Turns Ratio (@50KHz, 0.1V):  
1CT : 1CT  $\pm 5\%$
- INDUCTANCE (@100KHz, 100mV, 8mA DC Bias):  
J1-J2; J3-J6; : 350uH Min
- Insertion Loss:  
1~100MHz: -1.2dB Max
- Return Loss (dB Min):  
1~30MHz: -16                      40MHz: -14  
50MHz: -13                         60~80MHz: -12
- Crosstalk (dB Min):  
30MHz: -43                         60MHz: -37  
100MHz: -33
- DCMR (dB Min):  
30MHz: -50                         60MHz: -43  
100MHz: -35
- Balanced DC Line Current:  
350mA Max @48VDC.
- Hipot: 1500Vrms @60Hz, 1 MIN
- Operating Temperature Range: -40°C ~ +85°C.



LED POLARITY		COLOR
PIN 14	PIN 13	
+	-	YELLOW



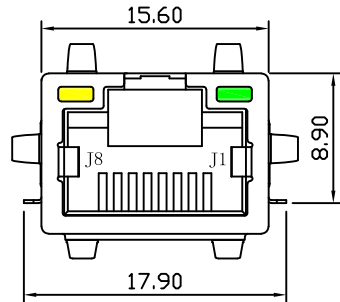
LED POLARITY		COLOR
PIN 12	PIN 11	
+	-	GREEN

Emitting Color	$\lambda_p$ (nm)	V <sub>F</sub> @I <sub>F</sub> =20mA	I <sub>R</sub> @V <sub>R</sub> =5V
GREEN	565	1.8~2.6V	10 $\mu$ A max
YELLOW	585	1.8~2.6V	10 $\mu$ A max

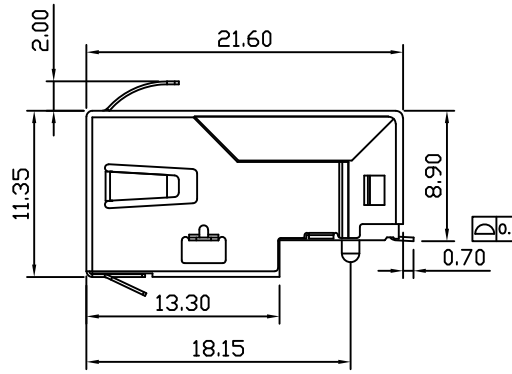
X.X	$\pm 0.35$	APPD:	LINK-PP INT'L TECHNOLOGY CO., LIMITED	
X.XX	$\pm 0.25$	CHKD:	TITLE: Surface Mount 1x1 Tab-Up Jack With 10/100 Magnetic SMT For PoE Application	
X.XXX	$\pm 0.10$	DR: TOM		
ANGLES	$\pm 1^\circ$	UNIT: mm	PART NO.: LPJ19905AGNL	
	SCALE: 2/1	SHEET: 1/4	REV: A	DWG NO.: LP16062201

# Mechanical:

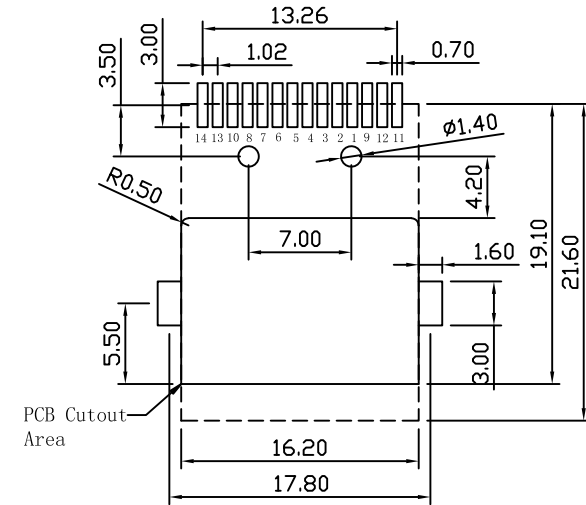
REV.	ECN NO.	DESCRIPTION	DATE	APPD
A	REL		2022-10-13	



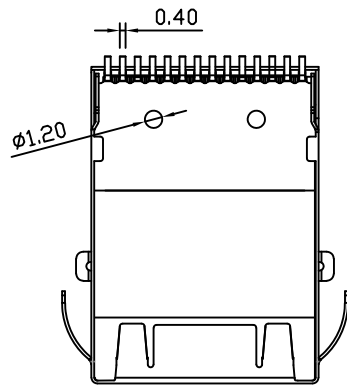
Front Side View



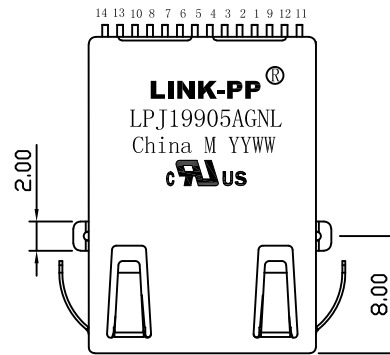
Left Side View



Suggested PCB Layout (Top View)



Bottom Side View



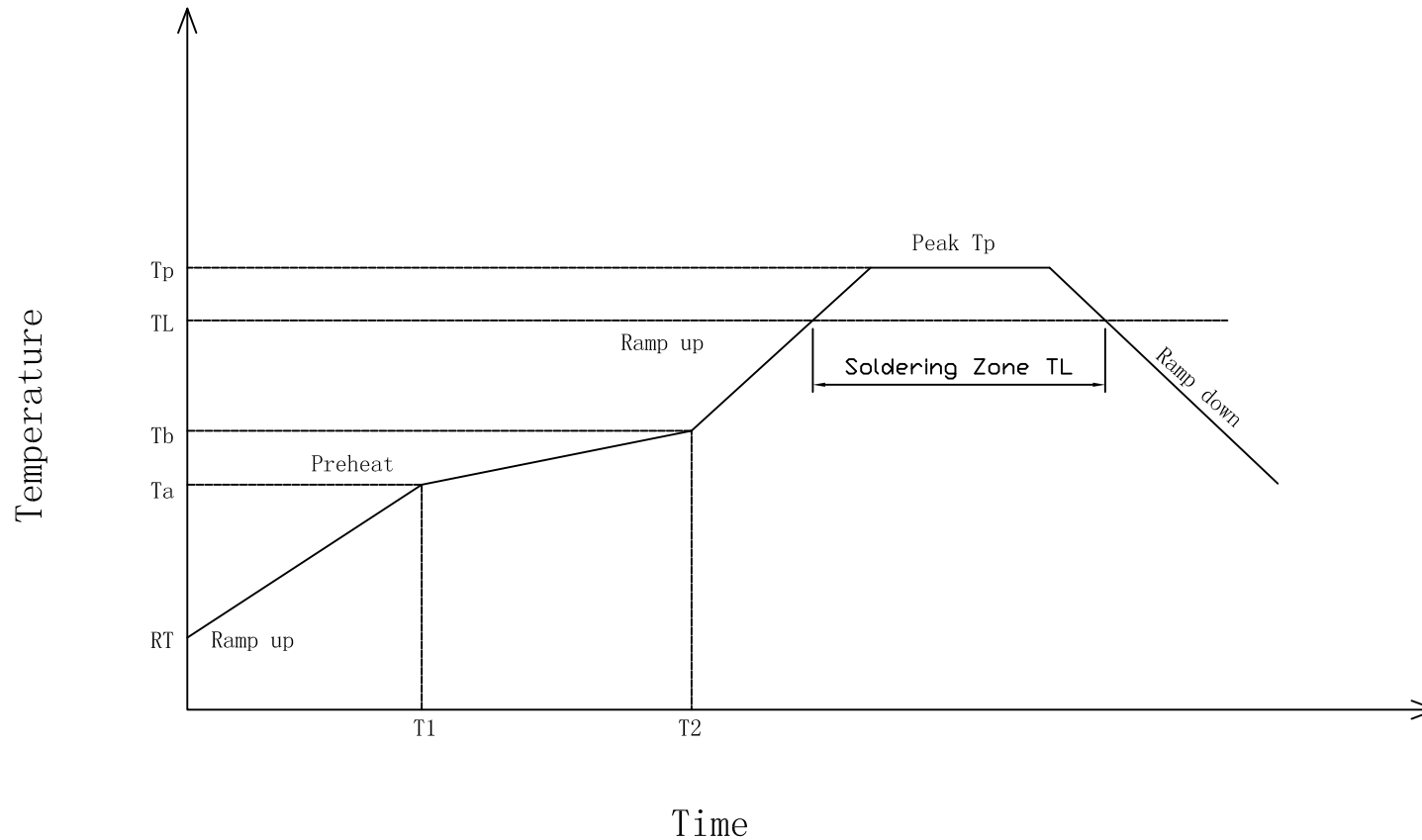
Top Side View

## NOTES:

1. Designed to support application, such as SOHO (ADSL modems), LAN-on-Motherboard (LOM), hub and Switches.
2. Meets IEEE 802.3af specification
3. Connector Materials:  
Housing: Thermoplastic UL94V-0  
Contact/Shield: Copper alloy  
Shield plating: Nickel  
Contact plating: Gold 6 micro-inches min. In contact area.
4. For RoHS part add suffix NL
5. Reflow soldering 260°C degC for 5~10 sec.
6. UL Certification: File Number E484635.

X. X	±0.35	APPD:	LINK-PP INT'L TECHNOLOGY CO., LIMITED	
X. XX	±0.25	CHKD:	TITLE: Surface Mount 1×1 Tab-Up Jack With 10/100 Magnetic SMT For PoE Application	
X. XXX	±0.10	DR: TOM	PART NO.: LPJ19905AGNL	
ANGLES	±1°	UNIT: mm	DWG NO.: LP16062201	
		SCALE: 2/1	SHEET: 2/4	REV: A

REV.	ECN NO.	DESCRIPTION	DATE	APPD
A	REL		2022-10-13	



REV: A  
 TEMP (°C): 25  
 HUM (%): 65 RH

Preheat:  
 Temperature (Ta-Tb): 150-200°C  
 Time (T1-T2): 60-180s

Holding Temperature: 217°C  
 Time (TL): 60-150s

Max Temperature (Tp): 250 (+0/-5°C)  
 Max Time (Tp): 30s

The average speed: 3°C/S Max  
 The average cooling speed: 6°C/S Max

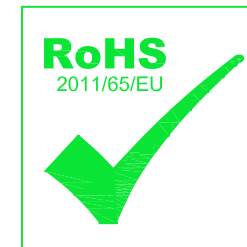
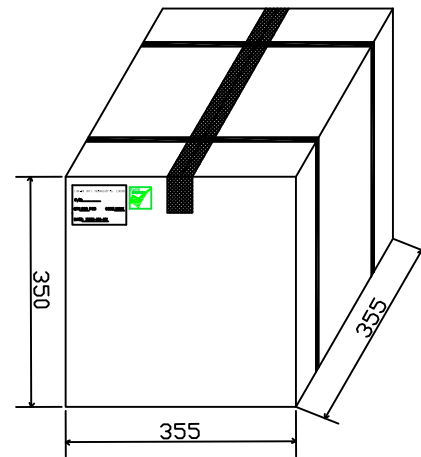
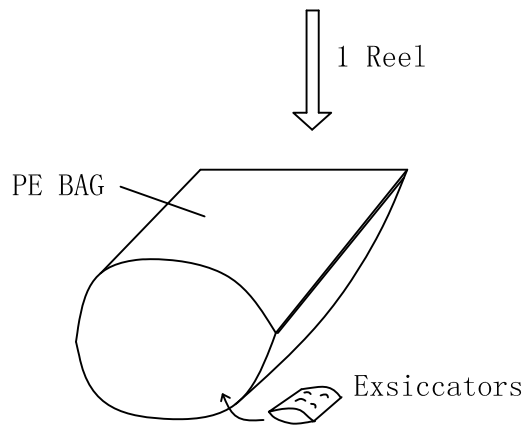
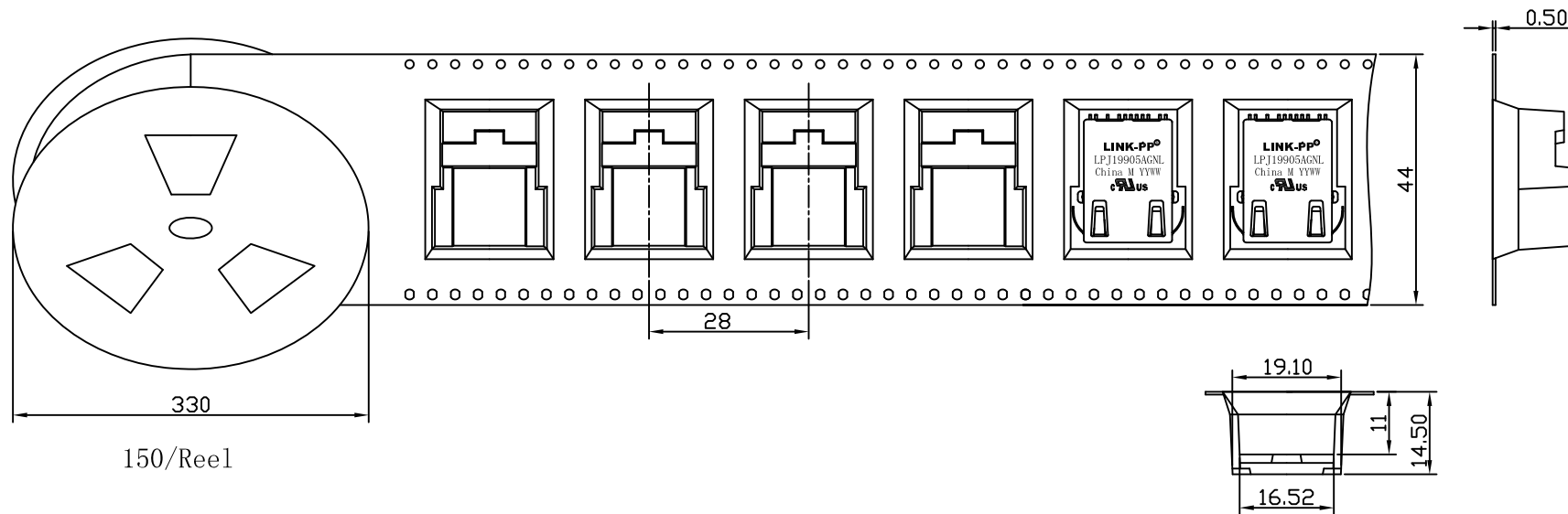
From 25°C to Products out of the furnace: 6 minutes Max



X. X	±0.35	APPD:	LINK-PP INT'L TECHNOLOGY CO., LIMITED	
X. XX	±0.25	CHKD:	TITLE: Surface Mount 1×1 Tab-Up Jack With 10/100 Magnetic SMT For PoE Application	
X. XXX	±0.10	DR: TOM		
ANGLES	±1°	UNIT: mm	PART NO.: LPJ19905AGNL	
	SCALE: 2/1	SHEET: 3/4	REV: A	DWG NO.: LP16062201

# Packing:

REV.	ECN NO.	DESCRIPTION	DATE	APPD
A	REL		2022-10-13	



- ◆ Packaging unit: 150pcs/reel
- ◆ Packaging way: Carrier tape
- ◆ Outer carton unit: 900pcs/6 Reel/box
- ◆ Net Weight: 5.5kg
- ◆ Gross Weight: 7.5kg

X. X	±0.35	APPD:	LINK-PP INT'L TECHNOLOGY CO., LIMITED
X. XX	±0.25	CHKD:	TITLE: Surface Mount 1×1 Tab-Up Jack With 10/100M Magnetic
X. XXX	±0.10	DR: SEA	
ANGLES	±1°	UNIT: mm	PART NO.: LPJ19905AGNL
	SCALE: 2/1	SHEET: 4/4	REV: A
			DWG NO.: LP22101301