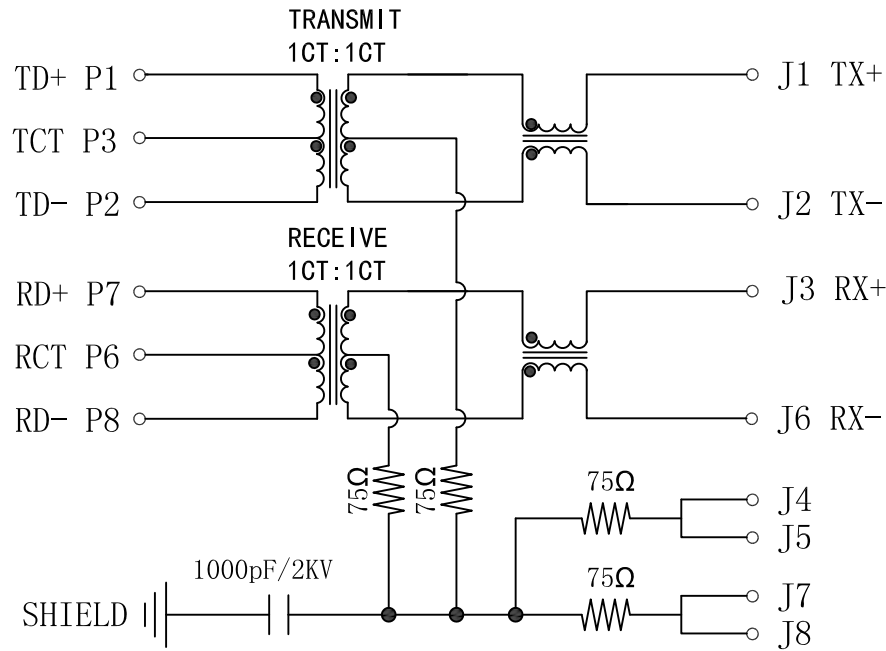


Schematic:

REV.	ECN NO.	DESCRIPTION	DATE	APPD
A	REL		10/08/2009	

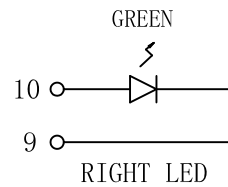
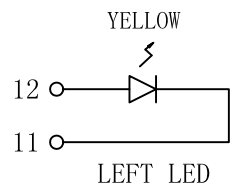
PCB SIDE TO PHY



CABLE SIDE

Electrical Specification @25°C

- Turns Ratio ($\pm 2\%$):
TX=1CT:1CT RX=1CT:1CT
- OCL: 350uH Min
@100KHz, 100mV, 8mA bias current
- Insertion Loss(dB Max):
1-80MHz:-1.0 100MHz:-1.2
- Return Loss(dB Min @100Ω):
1-60MHz:-14 60-100MHz:-10
- Crosstalk: 1-80MHz:-35dB Min
- IR Reflow peak temperature: 260 degc, 5S.
- Isolation Voltage: 1500Vrms Min
- Operating Temperature: -40°C ~ +85°C.



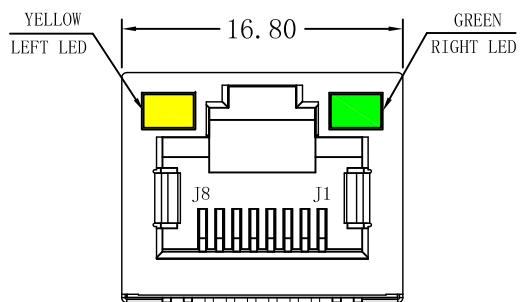
Emitting Color	λ_p (nm)	VF@IF=20mA	IR @VR=5V
GREEN	565	1.8~2.6V	10 μ A max
YELLOW	585	1.8~2.6V	10 μ A max



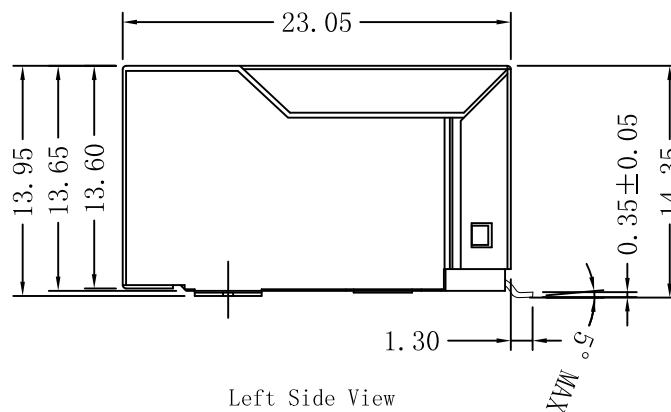
X:X	± 0.30	APPD:	LINK-PP INT'L TECHNOLOGY CO., LIMITED	
X:XX	± 0.25	CHKD:	TITLE: Surface Mount 1×1 Tab-Up Jack With 10/100 Magnetic	
X:XXX	± 0.05	DR: TOM	PART NO.: LPJ19201BGNL	
ANGLES	$\pm 1^\circ$	UNIT: mm	DWG NO.: LP09081008	
	SCALE: 2/1	SHEET: 1/2	REV: A	

Mechanical:

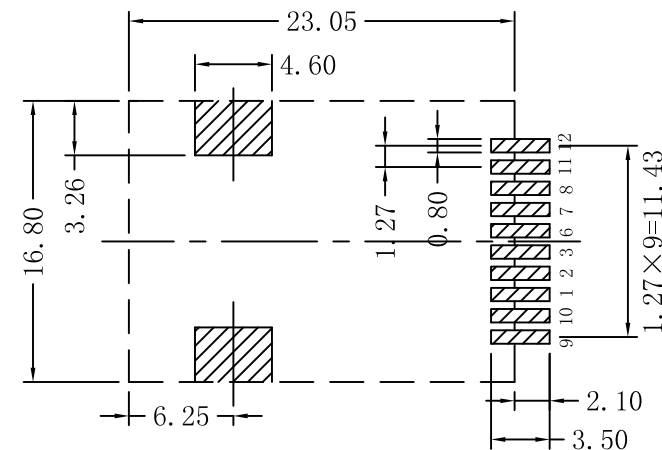
REV.	ECN NO.	DESCRIPTION	DATE	APPD
A	REL		10/08/2009	



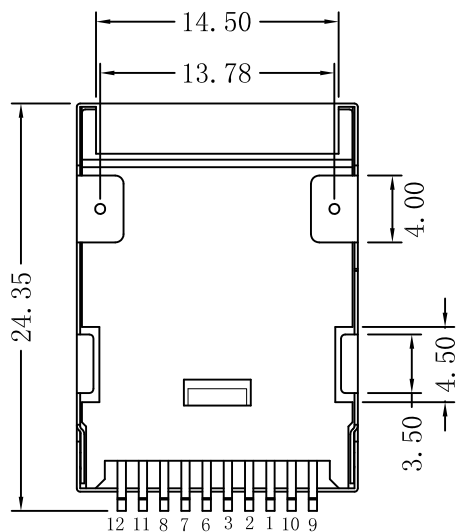
Front Side View



Left Side View



Suggested PCB Layout (Top View)



Bottom Side View



Top Side View



NOTES:

1. Designed to support application, such as SOHO (ADSL modems), LAN-on-Motherboard (LOM), hub and Switches.
2. Meets IEEE 802.3 specification
3. Connector Materials:
Housing: Thermoplastic LCP+30%G.F UL94V-0
Contact/Shield: Copper alloy
Shield plating: Nickel
Contact plating: Gold 6 micro-inches min. In contact area.
4. UL Certification: File Number E484635.

X:X	±0.30	APPD:	LINK-PP INT'L TECHNOLOGY CO., LIMITED	
X:XX	±0.25	CHKD:	TITLE: Surface Mount 1×1 Tab-Up Jack With 10/100 Magnetic	
X:XXX	±0.05	DR: TOM	PART NO.: LPJ19201BGNL	
ANGLES	±1°	UNIT: mm	DWG NO.: LP09081008	
	SCALE: 2/1	SHEET: 2/2	REV: A	