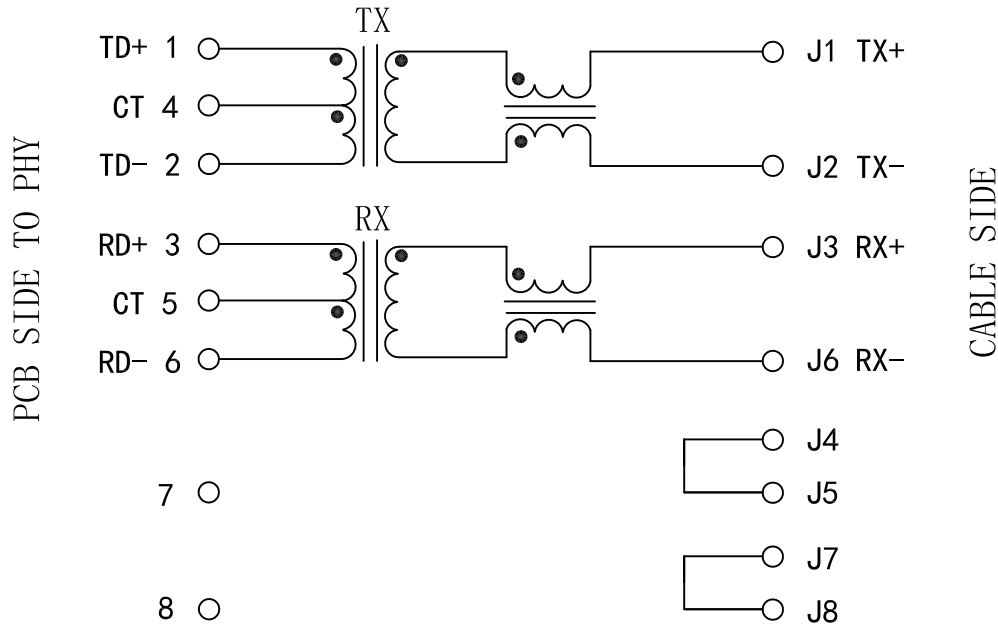


Schematic:

REV.	ECN NO.	DESCRIPTION	DATE	APPD
A	REL		2011-01-12	



Electrical Specifications @25°C

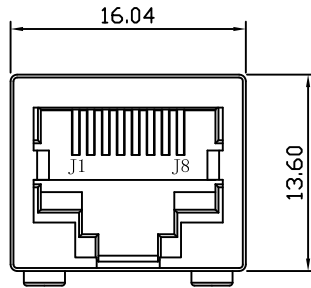
- Turns Ratio:
TX=1CT:1 RX=1CT:1
- Inductance:
350uH min @100KHz, 0.1V, 8mA
- Insertion Loss:
1-65MHz:-1.0dB Max
- Return Loss(dB Min @100Ω±15Ω):
1-10MHz:-18 10-30MHz:-14
60-80MHz:-10
- Crosstalk(dB Min):
1-30MHz:-35 30-60MHz:-35
60-100MHz:-30
- CMR: (dB Min):
1-50MHz:-20 50-130MHz:-20
- HI-POT: 1500Vrms @60Hz 1 MIN
- Operating Temperature: 0°C~70°C.



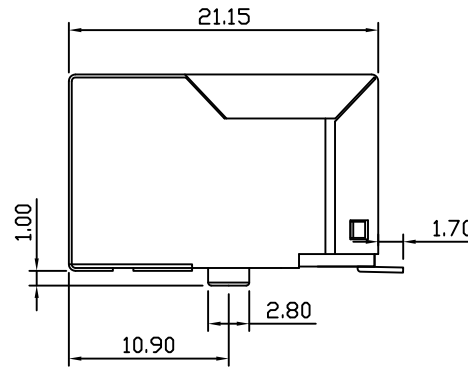
X:X ±0.30	APPD:	LINK-PP INT'L TECHNOLOGY CO., LIMITED
X:XX ±0.25	CHKD:	
X:XXX ±0.05	DR: TOM	TITLE: Surface Mount RJ45 Connector with 10/100 Base-T Integrated Magnetics
ANGLES ±1°	UNIT: mm	PART NO.: LPJ19113DNL
	SCALE: 2/1	SHEET: 1/2
	REV: A	DWG NO.: LP11011243

Mechanical:

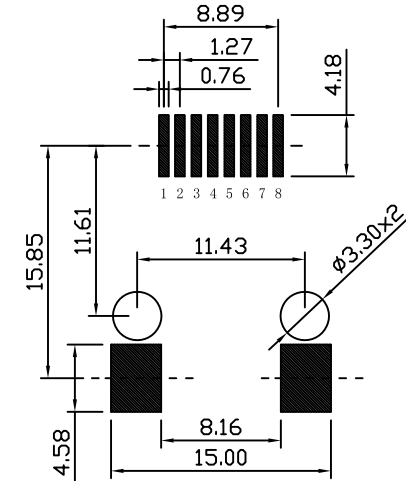
REV.	ECN NO.	DESCRIPTION	DATE	APPD
A	REL		2011-01-12	



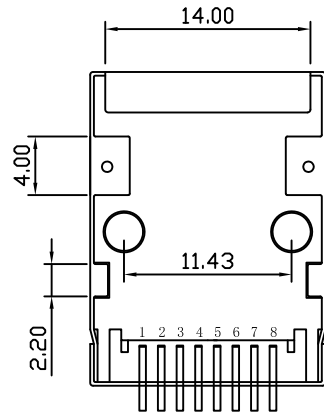
Front Side View



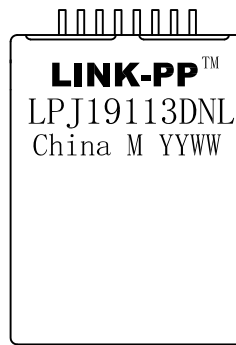
Left Side View



Suggested PCB Layout (Top View)



Bottom Side View



Top Side View

NOTES:

1. Meets IEEE 802.3 specification
2. Connector Materials:
 - Housing Material: Thermoplastic PA9T+30%G. F UL94V-0
 - Contact Material: Phosphor Bronze C5210R-EH Thickness=0.35mm
 - Pins: Brass C2680R-H Thickness=0.35mm
 - Shield: Copper alloy Brass H65Y Thickness=0.2mm
 - Contact plating: Gold 6 micro-inches min. In contact area.
3. Maximum reflow temperature is 250°C, 5 Sec.
4. UL Certification: File Number E484635.



X:X ±0.30	APPD:	LINK-PP INT'L TECHNOLOGY CO., LIMITED
X:XX ±0.25	CHKD:	
X:XXX ±0.05	DR: TOM	TITLE: Surface Mount RJ45 Connector with 10/100 Base-T Integrated Magnetics
ANGLES ±1°	UNIT: mm	PART NO.: LPJ19113DNL
	SCALE: 2/1	SHEET: 2/2
	REV: A	DWG NO.: LP11011243