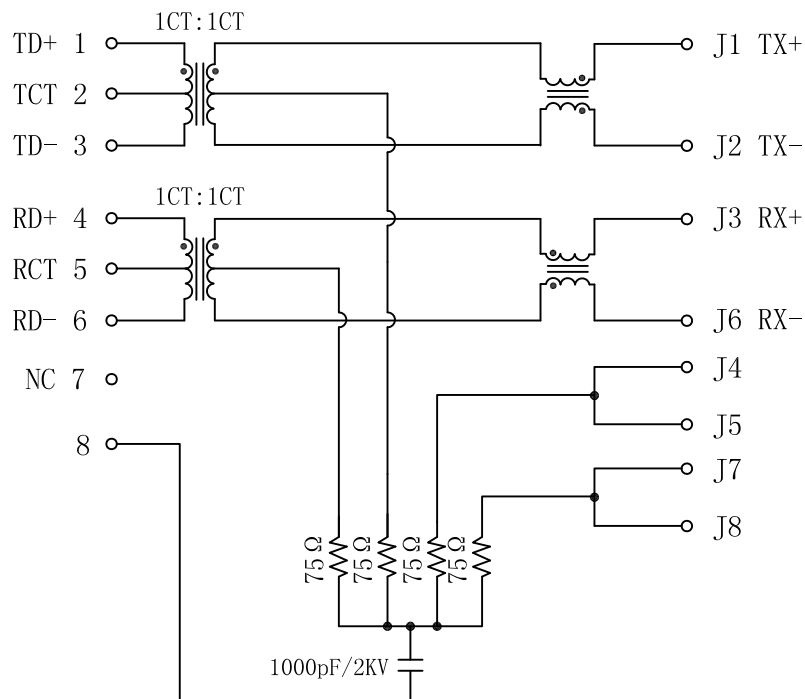


# Schematic:

REV.	ECN NO.	DESCRIPTION	DATE	APPD
A	REL		2021/04/19	

PCB CONNECTIONS



RJ45 CONNECTOR

## Electrical Specifications @25°C

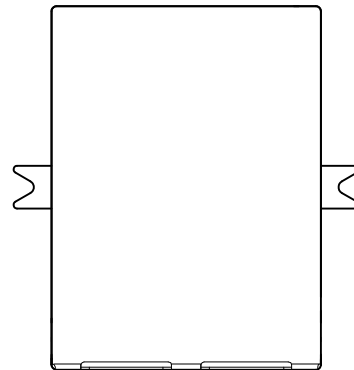
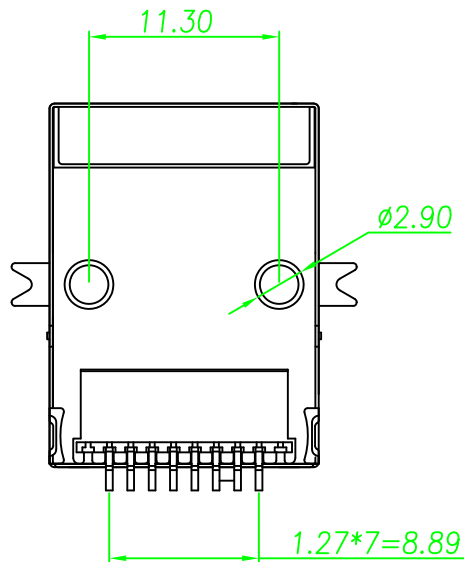
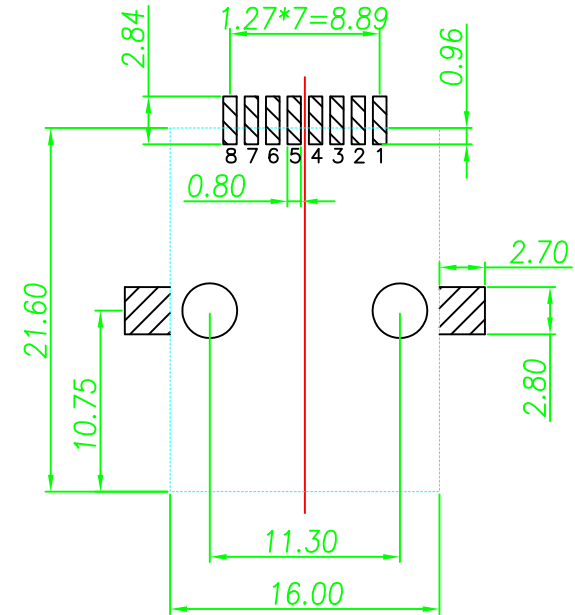
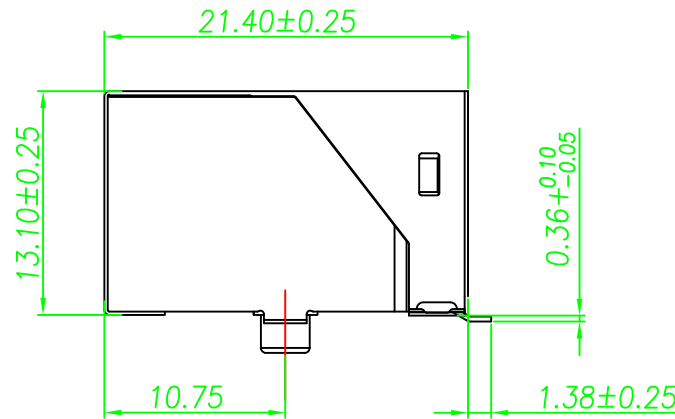
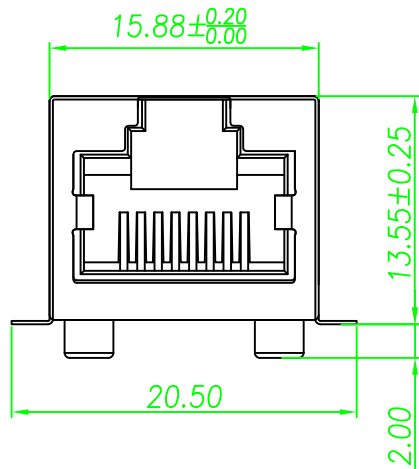
- Turns Ratio:  
TX=1CT:1CT      RX=1CT:1CT
- OCL: 350uH MIN  
@100KHz/100mVrms 8mA DC Bias
- Insertion Loss:  
1~100MHz:-1.0dB MAX
- Return Loss(dB MIN):  
1~30MHz:-18      30~60MHz:-16  
60~80MHz:-12      80~100MHz:-10
- Crosstalk:  
1~100MHz:-30dB MIN
- Common Mode Rejection:  
1~100MHz:-30dB MIN
- Hipot: 1500Vrms MIN
- Operating Temperature range: -40°C~+85°C.
- Storage Temperature range: -55°C~+125°C.



X:X	±0.30	APPD:	LINK-PP INT'L TECHNOLOGY CO., LIMITED	
X:XX	±0.20	CHKD:	TITLE: Surface Mount 1×1 Tab-Up Jack With 10/100 Magnetic SMT	
X:XXX	±0.10	DR: TOM	PART NO.: LPJ19012DNL	
ANGLES	±1°	UNIT: mm	DWG NO.: LP21041901	
	SCALE: 2/1	SHEET: 1/2	REV: A	

# Mechanical :

REV.	ECN NO.	DESCRIPTION	DATE	APPD
A	REL		2021/04/19	



SUGGESTED PCB LAYOUT (TOP VIEW)

### NOTES:

1. Designed to support application, such as SOHO (ADSL modems), LAN-on-Motherboard (LOM), hub and Switches.
2. Meets IEEE 802.3 specification
3. Connector Materials:  
Housing: Thermoplastic UL94V-0  
Contact/Shield: Copper alloy  
Shield plating: Nickel  
RJ-45 Contact plating: Gold 6U". In contact area
4. IR Reflow Peak temperature: 250°C.
5. UL Certification: File Number E484635.

X:X	±0.30	APPD:	LINK-PP INT'L TECHNOLOGY CO., LIMITED	
X:XX	±0.20	CHKD:	TITLE: Surface Mount 1×1 Tab-Up Jack With 10/100 Magnetic SMT	
X:XXX	±0.10	DR: TOM	PART NO.: LPJ19012DNL	
ANGLES	±1°	UNIT: mm	PART NO.: LPJ19012DNL	
	SCALE: 2/1	SHEET: 2/2	REV: A	DWG NO.: LP21041901