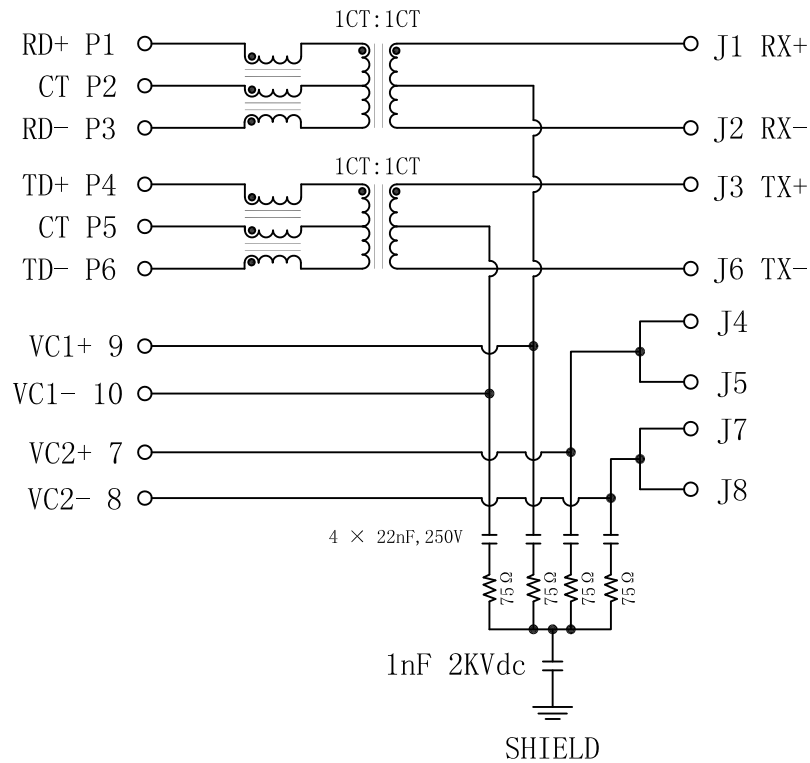


Schematic:

REV.	ECN NO.	DESCRIPTION	DATE	APPD
A	REL		19/06/2007	

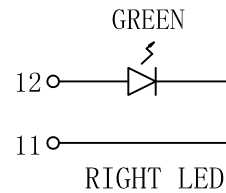
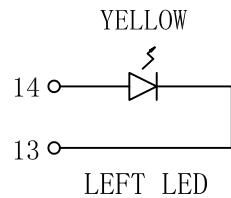
PCB CONNECTIONS



RJ45 CONNECTOR

Electrical Specifications @25°C

- Turns Ratio ($\pm 3\%$):
TX=1CT:1CT RX=1CT:1CT
- Inductance: 350uH MIN
@100KHz, 0.1V, 8mA DC Bias
- Insertion Loss:
1-100MHz: -1.5dB MAX
- Return Loss:
1-30MHz: -16dB MIN
60-80MHz: -10dB MIN
- Crosstalk:
1-100MHz: -30dB MIN
- CM to CM Rejection:
0.1-100MHz: -30dB MIN
- Hipot: 1500Vrms
- Operating Temperature: -40°C ~ +85°C.



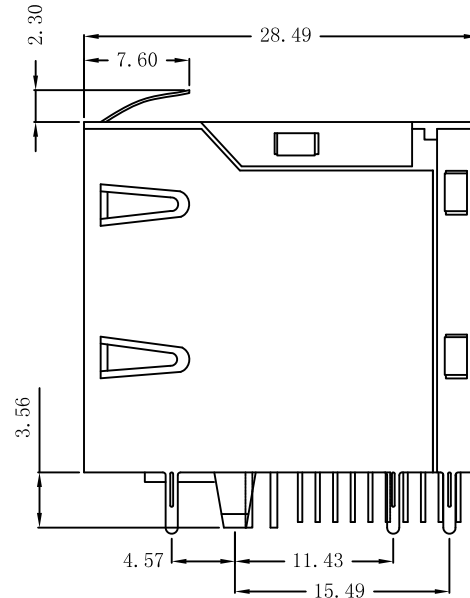
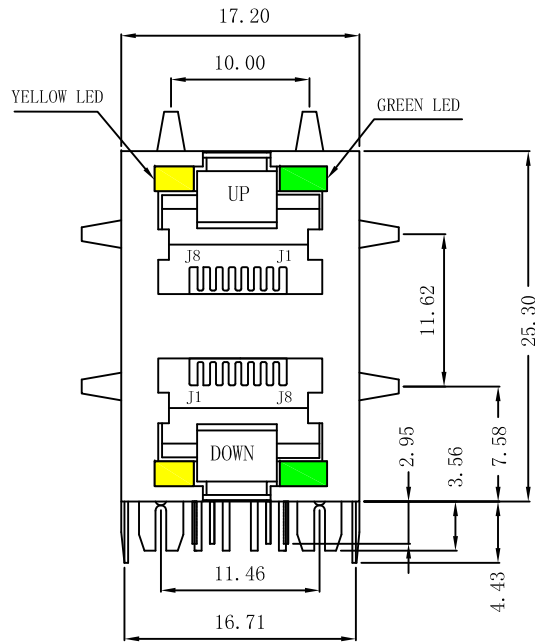
Emitting Color	λ p(nm)	VF@IF=20mA	IR @VR=5V
GREEN	565	1.8~2.6V	10 μ A max
YELLOW	585	1.8~2.6V	10 μ A max



X:X	± 0.30	APPD:	LINK-PP INT'L TECHNOLOGY CO., LIMITED	
X:XX	± 0.25	CHKD:	TITLE: RJ45 2x1 W/Transformer.10/100 Base-T W/LED For PoE+ Application	
X:XXX	± 0.05	DR: TOM	PART NO.: LPJ17489AGNL	
ANGLES	$\pm 1^\circ$	UNIT: mm		
	SCALE: 2/1	SHEET: 1/2	REV: A	DWG NO.:

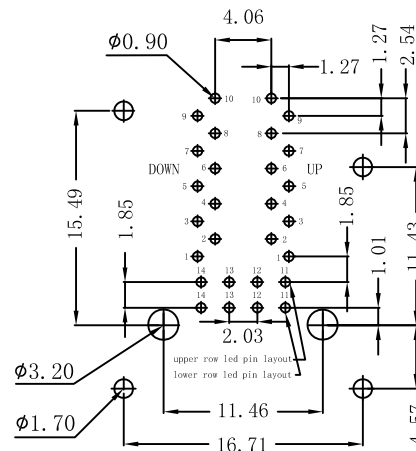
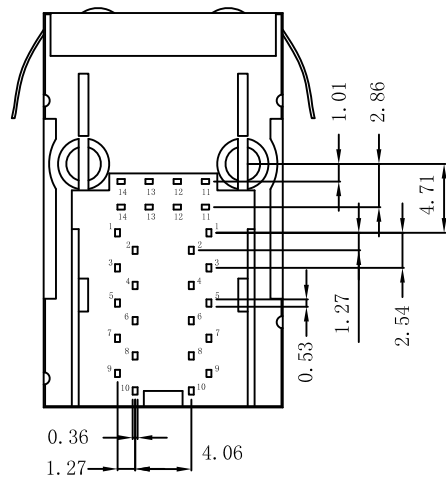
Mechanical:

REV.	ECN NO.	DESCRIPTION	DATE	APPD
A	REL		19/06/2007	



NOTES:

1. Designed to support application, such as SOHO (ADSL modems), LAN-on-Motherboard (LOM), hub and Switches.
2. Power over Ethernet Plus (PoE+) enabled compatible to IEEE802.3at standard
3. Connector Materials:
Housing: Thermoplastic UL94V-0
Contact/Shield: Copper alloy
Shield plating: Nickel
Contact plating: Gold 6 micro-inches min. In contact area.
4. Wave solder tip temperature: 265°C Max
Wave solder tip temperature time: 5 Sec Max
5. Balanced DC Line Current: Used Pairs 700mA Max
Unused Pairs 700mA Max



Suggested PCB Layout (TOP VIEW)



X:X	±0.30	APPD:	LINK-PP INT'L TECHNOLOGY CO., LIMITED
X:XX	±0.25	CHKD:	
X:XXX	±0.05	DR: TOM	TITLE: RJ45 2X1 W/Transformer.10/100 Base-T W/LED For PoE+ Application
ANGLES	±1°	UNIT: mm	PART NO.: LPJ17489AGNL
	SCALE: 2/1	SHEET: 2/2	REV: A DWG NO.: